

CE

# TUNNEL LOADER LF 4.2



## SPARE PARTS MANUAL VOLUME 1

SERIAL No: CE-\_\_\_\_-LF4.2

CUSTOMER:

.....HI BB9@@C589F'@ ('&  
MAIN GROUP

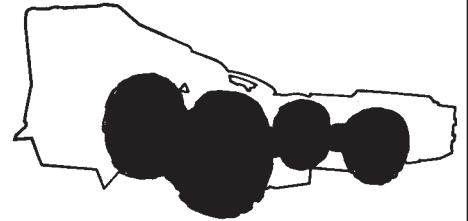
DATE:  
REV:



P I  
1000 00



P I  
2000 00



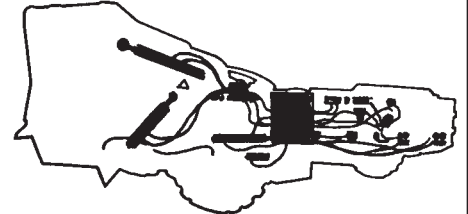
P I  
3000 00



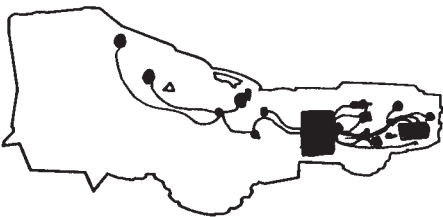
P I  
4000 00



P I  
6000 00



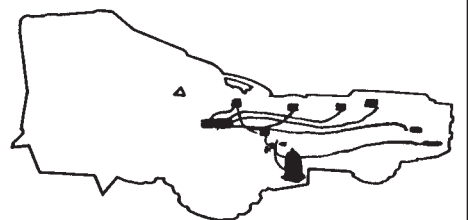
P I  
7000 00



P I  
9000 00



P I  
11000 00



P I  
13000 00

Pos	Item	Comm. No.	See Page	Qty	Part No.	Description	Dwg. No.
	00					<b>AARDVARK 4.2 LOAD HAUL DUMPER</b>	
1000	00		006	1		<b>MECHANICAL GROUP</b>	
2000	00		041	1		<b>ENGINE GROUP</b>	
3000	00		061	1		<b>DRIVE TRAIN GROUP</b>	
4000	00		121	1		<b>AIR INTAKE AND EXHAUST GROUP</b>	
6000	00		131	1		<b>FUEL GROUP</b>	
7000	00		141	1		<b>HYDRAULIC GROUP</b>	
9000	00		191	1		<b>ELECTRICAL GROUP</b>	
11000	00		211	1		<b>LUBRICATION GROUP</b>	
13000	00		221	1		<b>FIRE SUPPRESSION GROUP</b>	
<p><b>ALL HYDRAULIC AND ELECTRICAL            CIRCUITS CAN BE FOUND AT THE END OF            THIS MANUAL</b></p>							



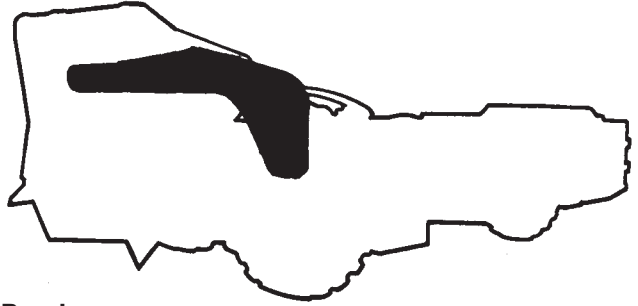
**PAGES 002 TO 005 LEFT BLANK  
FOR FUTURE USE**

BOART LONGYEAR  
AARDVARK 4.2 LOAD HAUL DUMPER  
MECHANICAL GROUP

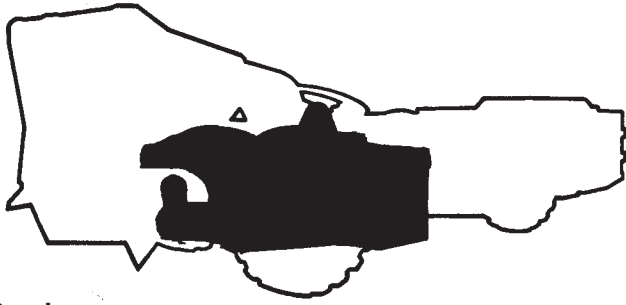
DATE:  
REV:



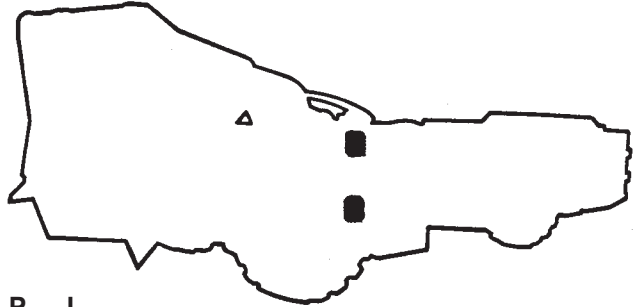
P I  
1100 00



P I  
1200 00



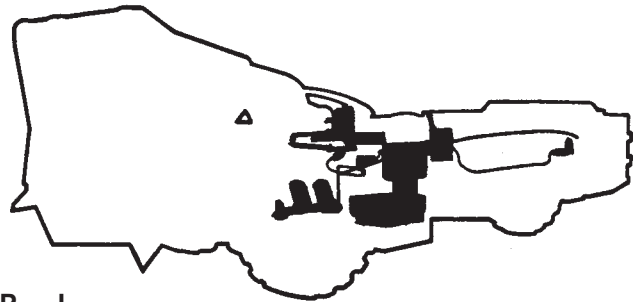
P I  
1300 00



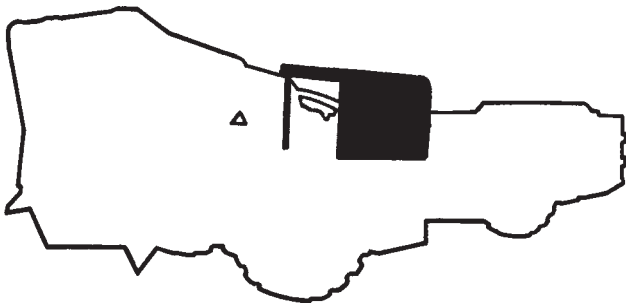
P I  
1400 00



P I  
1500 00



P I  
1600 00



P I  
1700 00



P I  
1800 00

DATE:  
REV:

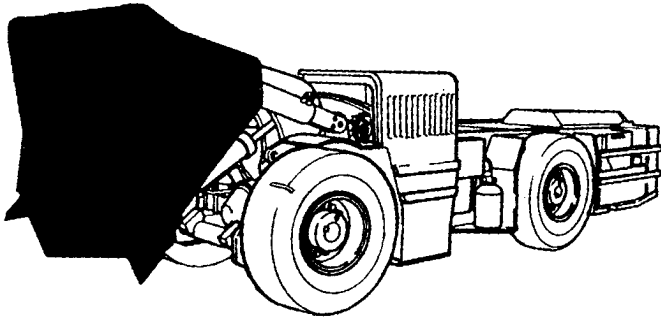
**BOART LONGYEAR  
AARDVARK 4.2 LOAD HAUL DUMPER  
MECHANICAL GROUP**

Pg 006

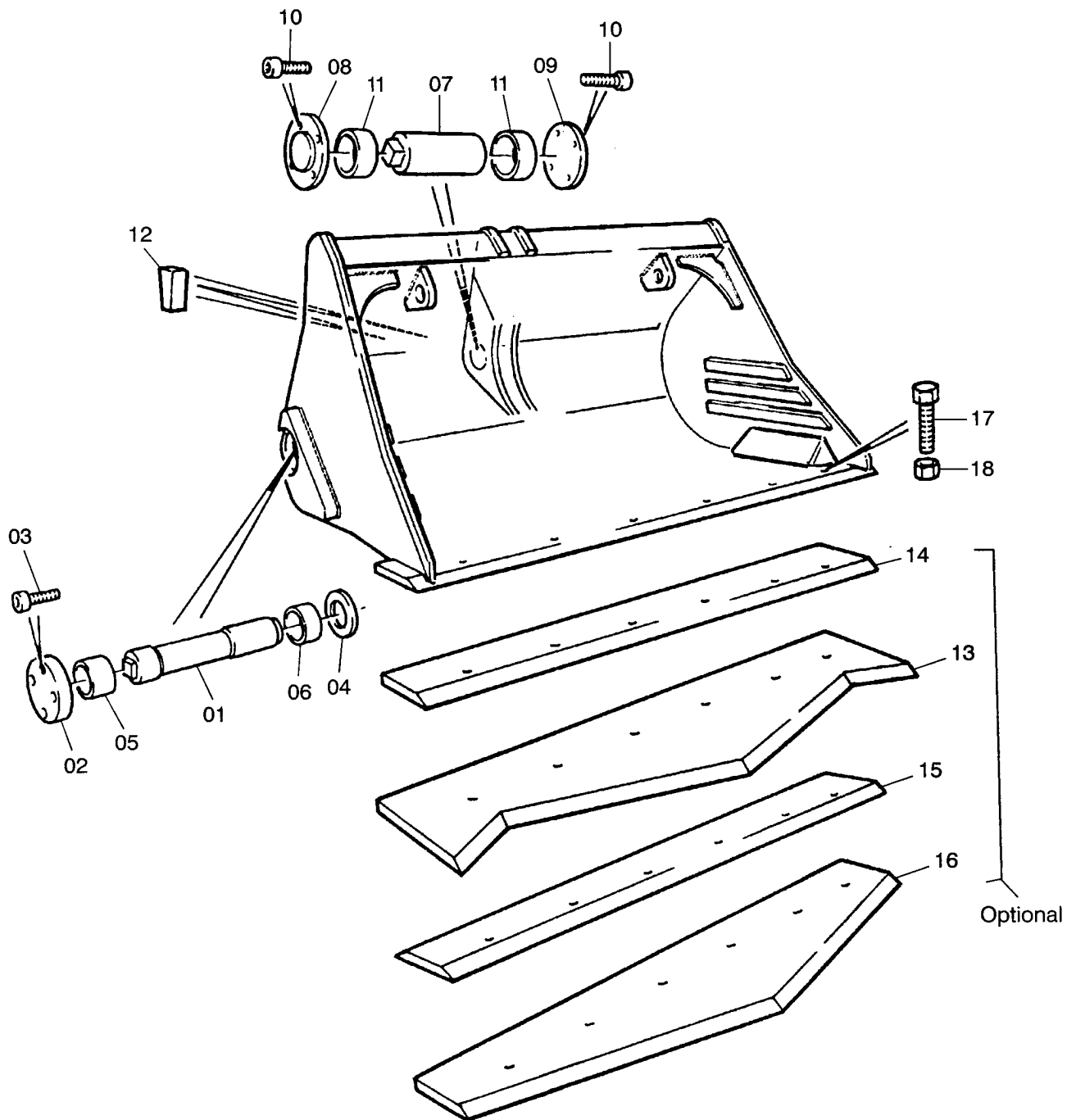
Pos	Item	Comm. No.	See Page	Qty	Part No.	Description	Dwg. No.
P	I						
1000	00			1		MECHANICAL GROUP	
1100	00		007	1	GH-9090001825	BUCKET ASSEMBLY - 1,4M <sup>3</sup>	
1200	00		008	1	GH-909010771	BOOM ASSEMBLY	
1300	00		009	1	GH-909000694	LOAD FRAME ASSEMBLY	
1400	00		010	1	GH-9092036450	ARTICULATION ASSEMBLY	
1500	00		011	1		REAR FRAME ASSEMBLY	
1600	00		020	1		OPERATOR STATION ASSEMBLY	
1700	00		030	1	UV-0900001	OPERATOR CANOPY ASSEMBLY	
1800	00		031	1	GH-9091036518	TRANSPORT SAFETY LOCK ASSEMBLY	

BOART LONGYEAR  
AARDVARK 4.2 LOAD HAUL DUMPER  
BUCKET ASSEMBLY - 1,4M<sup>3</sup>

DATE:  
REV:



P I  
1100 00



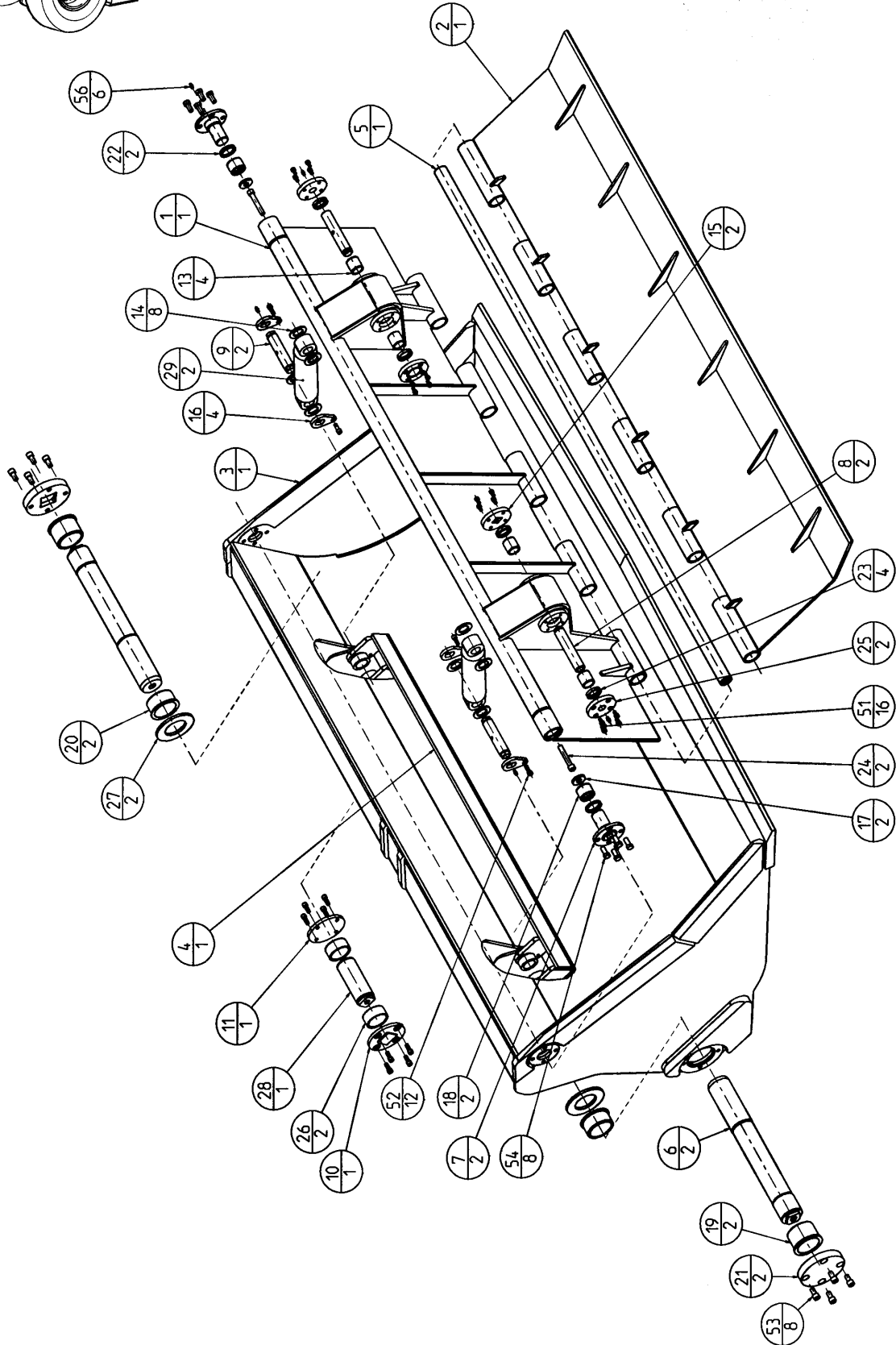
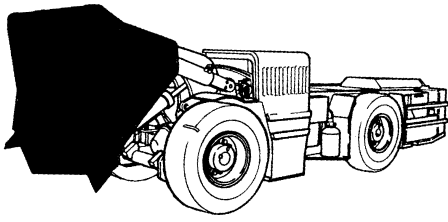


DATE: REV:	<b>BOART LONGYEAR AARDVARK 4.2 LOAD HAUL DUMPER BUCKET ASSEMBLY – 1,4M<sup>3</sup></b>	Pg 007A
---------------	--	---------

Pos P	Item I	Comm. No.	See Page	Qty	Part No.	Description	Dwg. No.
1100	00			1	<b>GH-9090001825</b>	<b>BUCKET ASSEMBLY - 1,4M<sup>3</sup></b>	
	01			2	GH-9094036180	PIN	
	02			2	GH-9090400880A	DISC, Locking	
	03			8	GH-20904000	SCREW, Cap Soc Hex Hd	
	04			2	GH-9094036181	WASHER, Distance	
	05			2	GH-9090401818	BUSH	
	06			2	GH-9090401819	BUSH	
	07			1	GH-9094036182	PIN	
	08			1	GH-9094032908	DISC, Locking	
	09			1	GH-9094032909	DISC, Locking	
	10			8	GH-20340000	SCREW, Cap Soc Hex Hd	
	11			2	GH-9094024701	BUSH	
	12			2	GH-9094036198	STOP, Bucket - Welded	
	13			1	GH-999441	LIP - Option 1	
	14			1	GH-999445	LIP - Option 2	
	15			1	9000694	LIP - Option 3	
	16			1	9001164	LIP - Option 4	
	17			6	GH-91152000	BOLT, Hex Hd	
	18			6	GH-91153000	NUT, Hex	

# BOART LONGYEAR AARDVARK 4.2 LOAD HAUL DUMPER EJECTOR BUCKET ASSEMBLY – 1,4M<sup>3</sup>

DATE:  
REV:

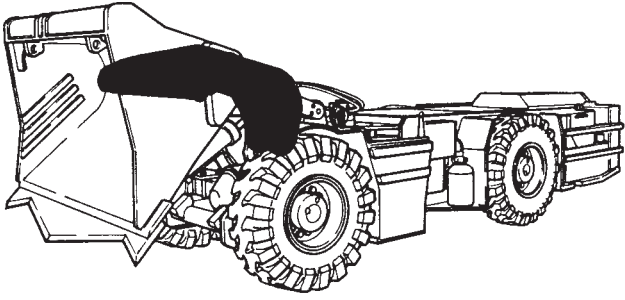


DATE: REV:	<b>BOART LONGYEAR AARDVARK 4.2 LOAD HAUL DUMPER EJECTOR BUCKET ASSEMBLY – 1,4M<sup>3</sup></b>	Pg 007B
---------------	--	---------

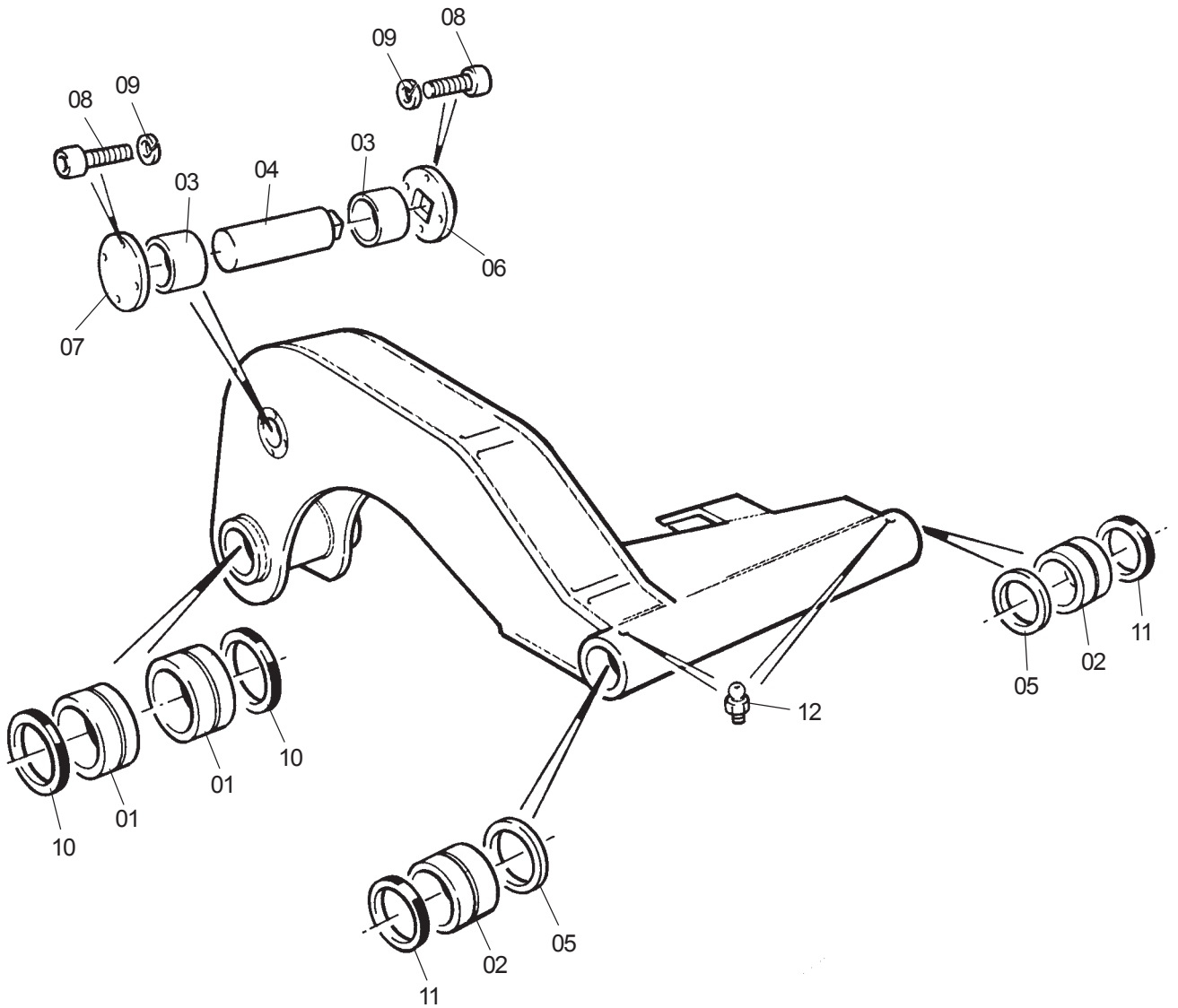
Pos P	Item I	Comm. No.	See Page	Qty	Part No.	Description	Dwg. No.
				<b>1</b>	<b>9000661</b>	<b>EJECTOR BUCKET ASSEMBLY - 1,4M<sup>3</sup></b>	
	01			1	9000663	BACK PLATE, Complete	
	02			1	9000664	FRONT PLATE, Complete	
	03			1	9000662	BUCKET BODY, Welding & Machining	
	04			1	9000666	BRACKET, Cylinder, Complete	
	05			1	9000667	PIN, Hinge	
	06			2	9000665	PIN	
	07			2	9090301594	PIN, Complete	
	08			2	9090301604	PIN, Rod End	
	09			2	9090301605	PIN, Rod End	
	10			1	9094032908	LOCK PLATE, Assembly	
	11			1	9094032909	LOCK PLATE	
	13			4	9090401597	BUSH	
	14			8	9090401598	SPACER, 5 Thk, 70 OD, 42 ID	
	15			2	9090401599	LOCK PLATE	
	16			4	9090401601	LOCK PLATE	
	17			2	9090401602	WASHER, 53 OD, 20 ID, 8 Thick	
	18			2	9090401603	BUSH	
	19			2	9090401606	BUSH	
	20			2	9090401607	BUSH	
	21			2	9090401611	LOCK PLATE	
	22			2	9090401612	SEAL, Shaft 65 OD, 50 ID, 8 Wide	
	23			4	9090401613	SEAL, Shaft 60 OD, 40 ID, 10 Wide	
	24			2	9090401614	CAP SCREW, Hex. Socket Hd	
	25			2	9090401600	DISC, Cover	
	26			2	9094024701	BUSH	
	27			2	9094036181	WASHER, Distance	
	28			1	9094036182	PIN	
	29			2	9001094	CYLINDER, Ejecting	
	51			16	109-M10-16	SCREW, Cap, M10 X 16	
	52			12	109-M12-30	SCREW, Cap, M10 X 30	
	53			8	109-M16-30	SCREW, Socket Head	
	54			8	102-M16-35	SCREW, Set	
	56			6	DP47006598	NIPPLE, Grease M10 x 1	

BOART LONGYEAR  
AARDVARK 4.2 LOAD HAUL DUMPER  
BOOM ASSEMBLY

DATE:  
REV:



P I  
1200 00



DATE:  
REV:

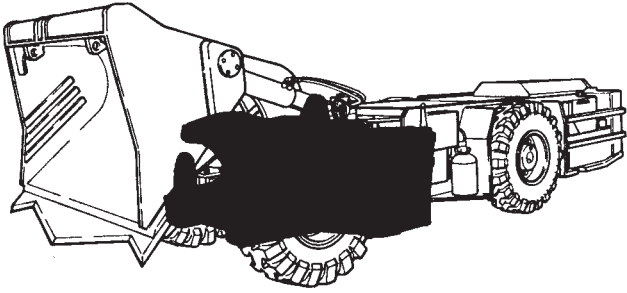
**BOART LONGYEAR  
AARDVARK 4.2 LOAD HAUL DUMPER  
BOOM ASSEMBLY**

Pg 008

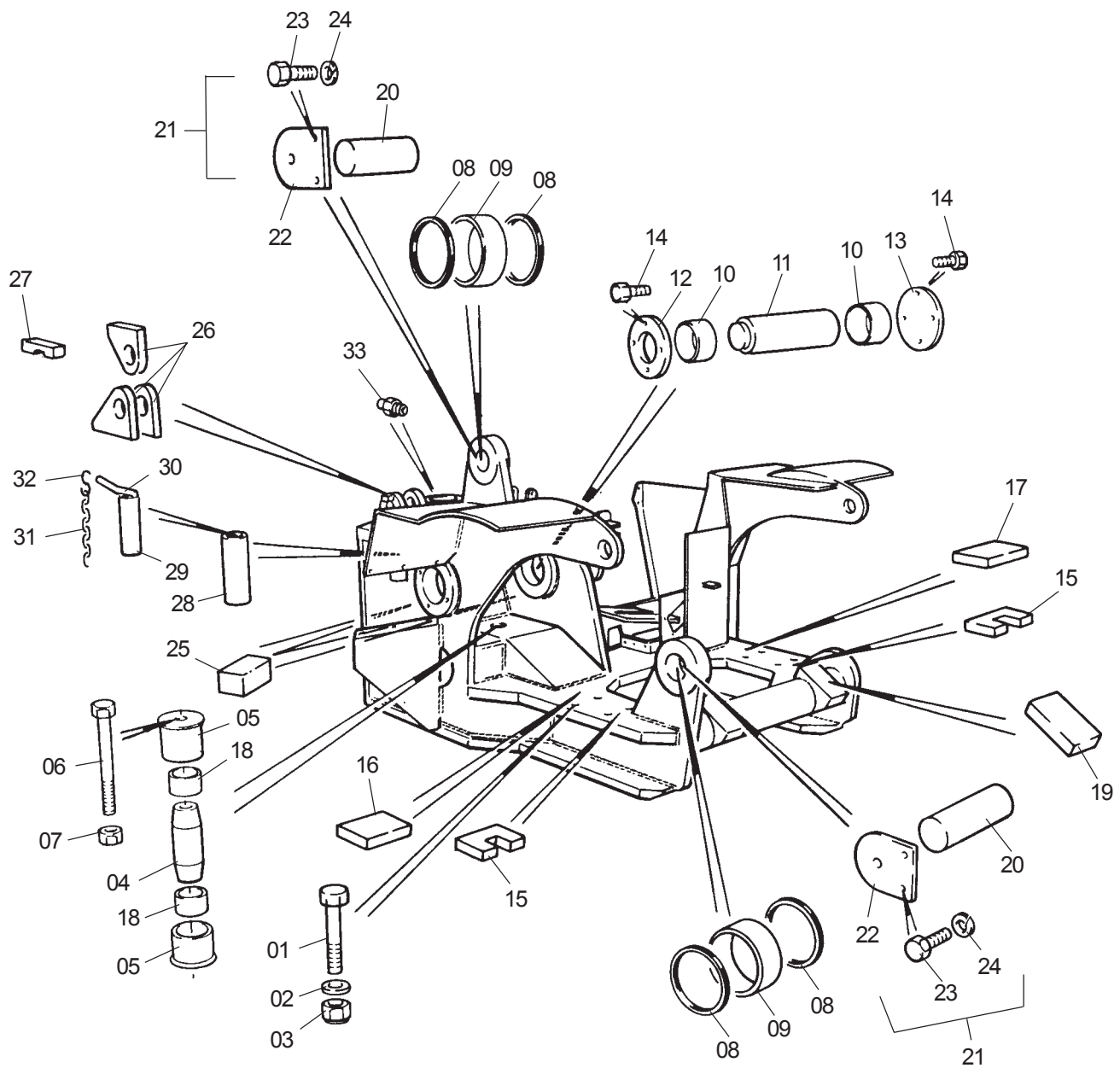
Pos	Item	Comm. No.	See Page	Qty	Part No.	Description	Dwg. No.
P	I						
1200	00			1	<b>GH-909010771</b>	<b>BOOMASSEMBLY</b>	
	01			2	GH-9094036187	BUSH	
	02			2	GH-9094024472	BUSH	
	03			2	GH-9094036188	BUSH	
	04			1	GH-9094036195	PIN	
	05			2	GH-9094036196	WASHER	
	06			1	GH-9094032908	LOCK, Pin Safety	
	07			1	GH-9094032909	COVER, Safety Lock	
	08			8	GH-20338000	SCREW, Cap Soc Hex Hd	
	09			8	GH-25406000	WASHER, Spring	
	10			2	GH-56920000	SEAL, Shaft	
	11			2	GH-57612000	SEAL, Shaft	
	11			2	GH-K05748	SEAL, Shaft	
	12			4	GH-34141000	NIPPLE, Grease Straight, Male	

# BOART LONGYEAR AARDVARK 4.2 LOAD HAUL DUMPER LOAD FRAME ASSEMBLY

DATE:  
REV:



P I  
1300 00



DATE:  
REV:

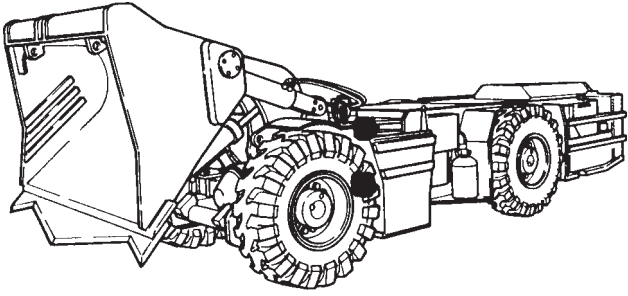
**BOART LONGYEAR  
AARDVARK 4.2 LOAD HAUL DUMPER  
LOAD FRAME ASSEMBLY**

Pg 009

Pos	Item	Comm. No.	See Page	Qty	Part No.	Description	Dwg. No.
P	I						
1300	00			1	<b>GH-909000694</b>	<b>LOAD FRAME ASSEMBLY</b>	
	01			8	GH-90396000	BOLT, Hex Hd - Front Axle Mounting	
	02			16	GH-25177000	WASHER, Flat	
	03			8	GH-24610000	NUT, Hex Nyloc	
	04			1	GH-9094034392A	PIN	
	05			2	GH-9094034220A	BUSH, Lock	
	06			1	GH-K08699	SCREW, Hex Hd, M16 x 240 lg	
	07			1	GH-24611000	NUT, Hex Nyloc, M16	
	08			4	GH-56958000	GASKET	
	09			2	GH-9094036390	BUSH	
	10			2	GH-9094036391	BUSH	
	11			1	GH-9094036392A	PIN	
	12			1	GH-9094031675A	PLATE, Lock	
	13			1	GH-9094031676A	PLATE, Lock	
	14			8	GH-20346000	SCREW, Hex Hd	
	15			2	GH-9094036393A	BUFFER - Welded	
	16			1	GH-9094036394A	BUFFER - Welded	
	17			1	GH-909040796	BAR, Axle Locating - Welded	
	18			2	GH-9094036395	SPACER	
	19			2	GH-909040797	BUFFER - Welded	
	20			2	GH-9094036785	PIN	
	21			2	GH-9094036790	PLATE ASSEMBLY, Lock c/w Items 22 - 24	
	22			2	GH-9094036791	PLATE, Lock	
	23			8	GH-20340000	SCREW, Hex Hd	
	24			8	GH-25406000	WASHER	
	25			2	GH-909040818	BLOCK, Articulation Stop - Welded	
	26			3	GH-9094036439	BRACKET - Welded	
	27			1	GH-9094025627	PLATE, Lock - Welded	
	28			1	GH-909040795	TUBE - Welded	
	29			1	GH-909040793	PIN, Safety	
	30			1	GH-909040794	HANDLE, Safety Pin - Welded	
	31			1	GH-29740000	CHAIN, 400 lg - Welded	
	32			1	GH-9094005536A	S-HOOK	
	33			2	GH-34141000	NIPPLE, Grease Straight, Male	

**BOART LONGYEAR  
AARDVARK 4.2 LOAD HAUL DUMPER  
ARTICULATION ASSEMBLY**

DATE:  
REV:

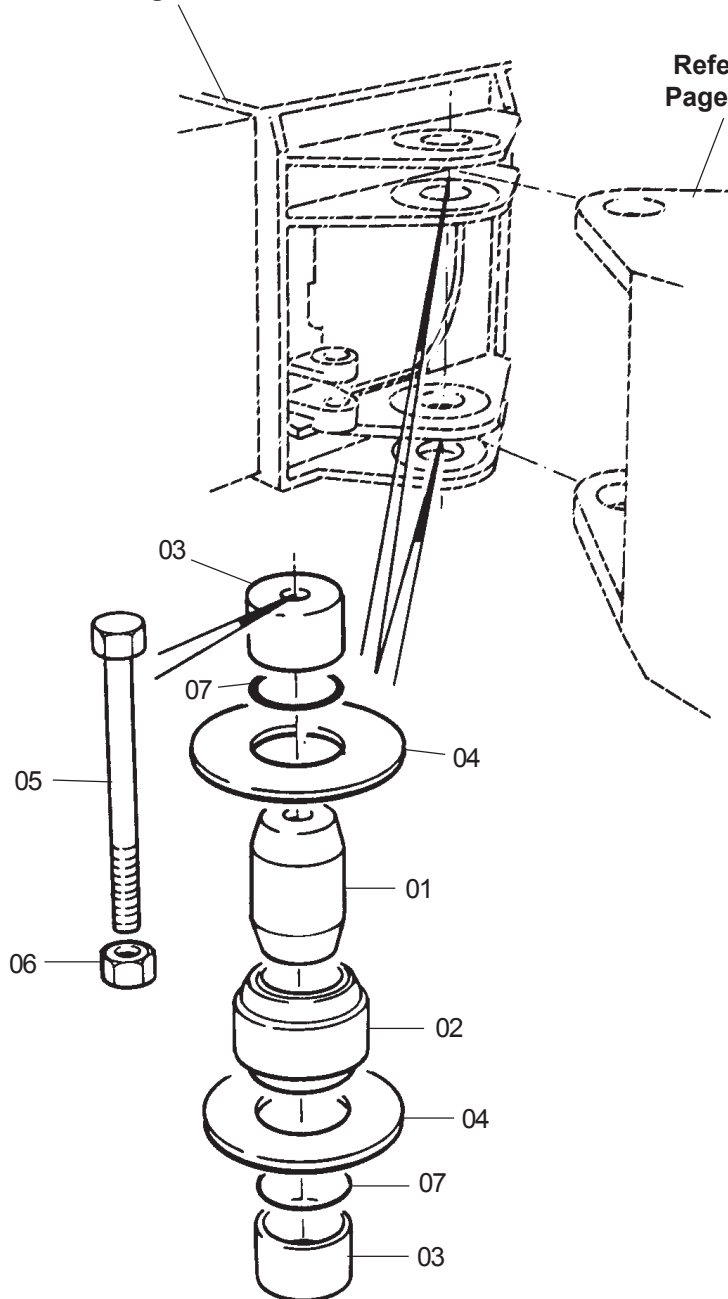


P I  
1400 00



Refer to  
Page 012

Refer to  
Page 009





DATE:  
REV:

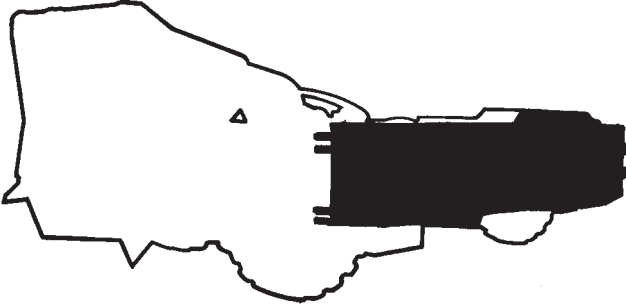
**BOART LONGYEAR  
AARDVARK 4.2 LOAD HAUL DUMPER  
ARTICULATION ASSEMBLY**

Pg 010

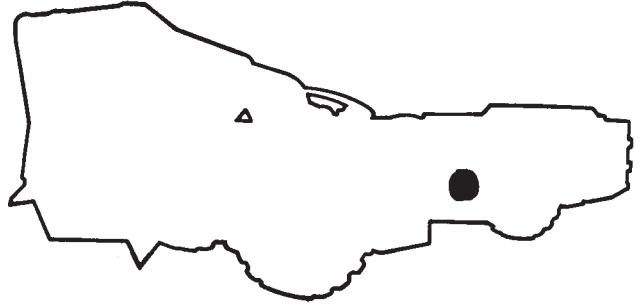
Pos	Item	Comm. No.	See Page	Qty	Part No.	Description	Dwg. No.
P	I						
1400	00			1	<b>GH-9092036450</b>	<b>ARTICULATION ASSEMBLY</b>	
	01			2	GH-9094036451	PIN	
	02			2	GH-K09259	BEARING, Joint	
	03			4	GH-9094036454	BUSH, Clamping	
	04			4	GH-9094036452	DISC, Sliding	
	05			2	GH-K09742	BOLT, Hex Hd	
	06			2	GH-K09255	NUT, Hex	
	07			4	GH-64161000	O-RING	

BOART LONGYEAR  
AARDVARK 4.2 LOAD HAUL DUMPER  
REAR FRAME ASSEMBLY

DATE:  
REV:



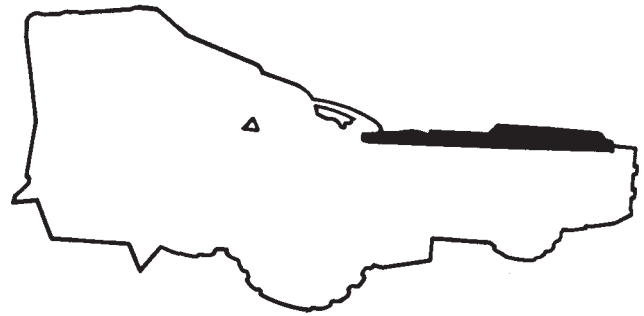
P I  
1510 00



P I  
1520 00



P I  
1530 00



P I  
1540 00



P I  
1550 00



P I  
1560 00

DATE:  
REV:

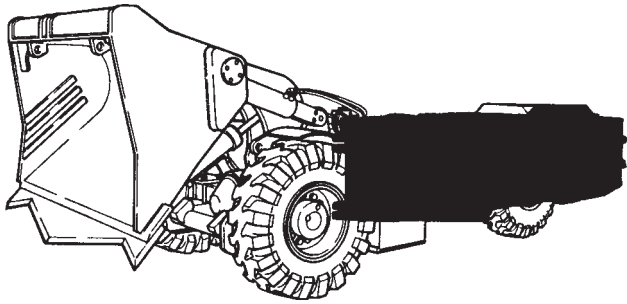
**BOART LONGYEAR  
AARDVARK 4.2 LOAD HAUL DUMPER  
REAR FRAME ASSEMBLY**

Pg 011

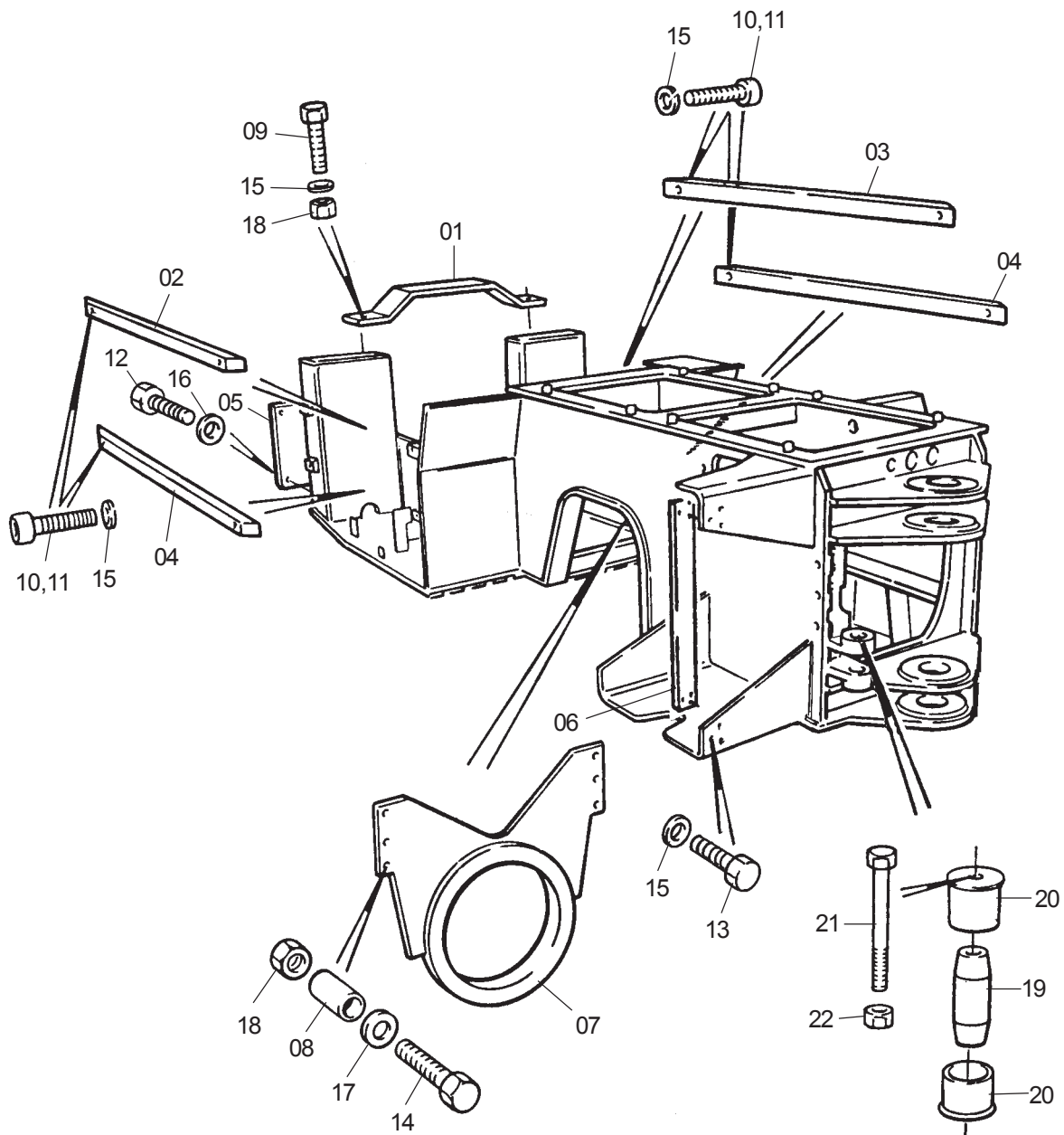
Pos Item P I	Comm. No.	See Page	Qty	Part No.	Description	Dwg. No.
1500 00			1		REAR FRAME ASSEMBLY	
1510 00		012	1	GH-909000860	REAR FRAME FINAL ASSEMBLY	
1520 00		013	1	GH-909030867	REAR FRAME OSCILLATING AXLE MOUNTING ASSEMBLY	
1530 00		014	1	GH-9093035955B	REAR FRAME GRILL DOOR ASSEMBLY - F6L912W AIR COOLED ENGINE	
1530 00		015	1	UV-0590010	REAR FRAME GRILL DOOR ASSEMBLY - BF4M1013 WATER COOLED ENGINE	
1540 00		016	1	GH-9090100883	REAR FRAME COVERS ASSEMBLY	
1550 00		017	1	GH-9090201734	REAR FRAME BATTERY BOX ASSEMBLY - F6L912W AIR COOLED ENGINE	
1550 00		018	1	UV-0590072	REAR FRAME BATTERY BOX ASSEMBLY - BF4M1013 WATER COOLED ENGINE	
1560 00		019	1	GH-909030874	REAR FRAME RH COMPARTMENT ASSEMBLY - F6L912W AIR COOLED ENGINE	

# BOART LONGYEAR AARDVARK 4.2 LOAD HAUL DUMPER REAR FRAME FINAL ASSEMBLY

DATE:  
REV:



P I  
1510 00



DATE:  
REV:

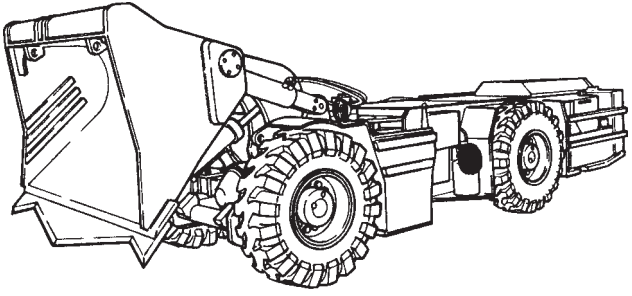
**BOART LONGYEAR  
AARDVARK 4.2 LOAD HAUL DUMPER  
REAR FRAME FINAL ASSEMBLY**

Pg 012

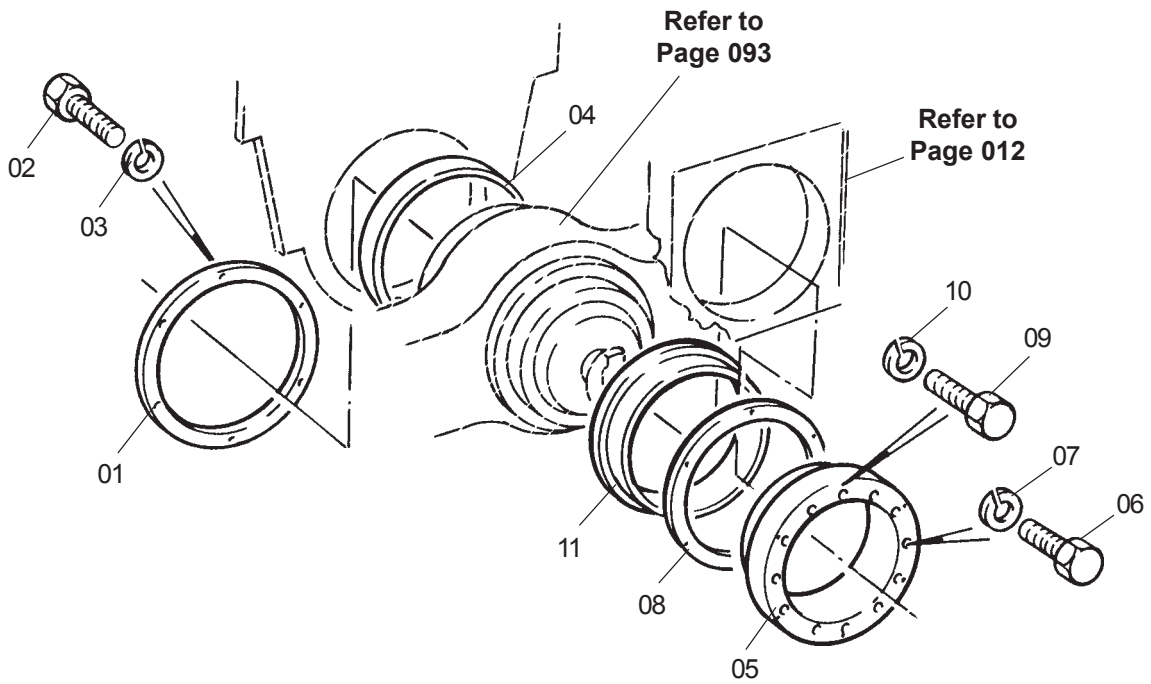
Pos	Item	Comm. No.	See Page	Qty	Part No.	Description	Dwg. No.
P	I						
1510	00			1	<b>GH-909000860</b>	<b>REAR FRAME FINAL ASSEMBLY</b>	
	01			1	GH-9093035939A	SUPPORT, Cross	
	02			1	GH-909030762	PROTECTION, Bump-RH	
	03			1	GH-909030762	PROTECTION, Bump-LH	
	04			2	GH-909030762	PROTECTION, Bump	
	05			2	GH-9090402323	PLATE, Cover - Rear	
	06			1	GH-9090400804	PLATE, Support	
	07			1	GH-9090300856	SUPPORT, Oscillation	
	08			6	GH-909040779	SLEEVE, Locator, 80 mm lg	
	09			4	GH-20573000	BOLT, Hex Hd, M16	
	10			4	109-M16-100	SCREW, Cap Soc Hex Hd, M16 x 100 lg	
	11			4	109-M16-80	SCREW, Cap Soc Hex Hd, M16 x 80 lg	
	12			8	102-M12-40	BOLT, Hex Hd, M12 x 40 lg	
	13			6	105-M16-40	BOLT, Hex Hd, M16 x 40 lg	
	14			6	GH-20574000	BOLT, Hex Hd, M16	
	15			18	GH-25408000	WASHER, Spring, Dia. 16	
	16			8	GH-25406000	WASHER, Spring, Dia. 12	
	17			6	GH-25010000	WASHER, Flat, Dia. 16	
	18			10	GH-24181000	NUT, Hex, M16	
	19			1	GH-9094034219B	PIN, Rod End - Steering Cylinder	
	20			2	GH-9094034220A	BUSH, Lock	
	21			1	GH-K08695	BOLT, Hex Hd, M16 x 200 lg	
	22			1	GH-24611000	NUT, Hex, M16	

**BOART LONGYEAR  
AARDVARK 4.2 LOAD HAUL DUMPER  
REAR FRAME OSCILLATING AXLE MOUNTING ASSEMBLY**

DATE:  
REV:



P I  
1520 00



DATE:  
REV:

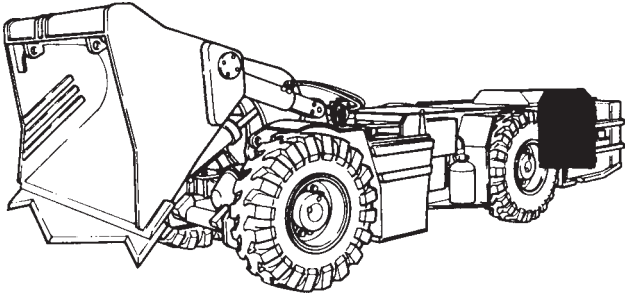
**BOART LONGYEAR  
AARDVARK 4.2 LOAD HAUL DUMPER  
REAR FRAME OSCILLATING AXLE MOUNTING ASSEMBLY**

Pg 013

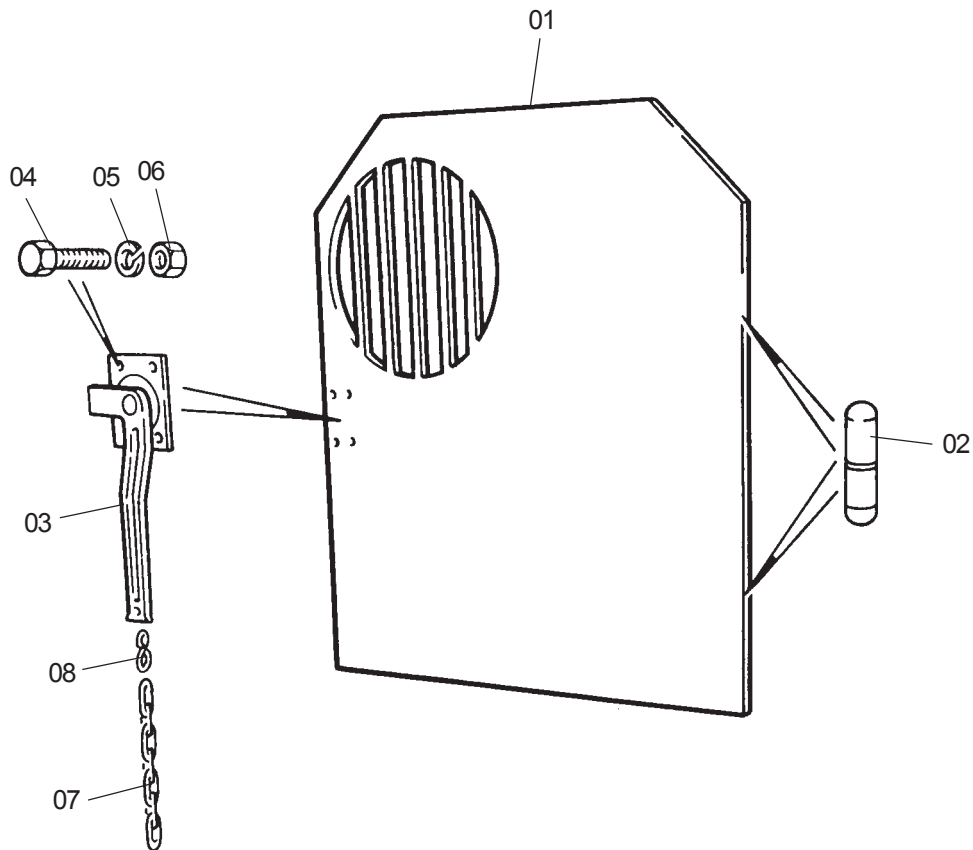
Pos	Item	Comm. No.	See Page	Qty	Part No.	Description	Dwg. No.
P	I						
1520	00			1	<b>GH-909030867</b>	<b>REAR FRAME OSCILLATING AXLE MOUNTING ASSEMBLY</b>	
	01			1	GH-909040608	RING, Lock	
	02			6	GH-20347000	BOLT, Hex Hd	
	03			6	GH-25010000	WASHER, Flat	
	04			1	GH-909030871	BUSH	
	05			1	GH-909030870	RING, Lock	
	06			12	GH-20599000	BOLT, Hex Hd	
	07			12	GH-25408000	WASHER, Spring	
	08			1	GH-909040869	RING, Thrust	
	09			6	GH-20323000	BOLT, Hex Hd	
	10			6	GH-25403000	WASHER, Spring	
	11			1	GH-909030868	BUSH	

BOART LONGYEAR  
AARDVARK 4.2 LOAD HAUL DUMPER  
REAR FRAME GRILL DOOR ASSEMBLY -  
F6L912W AIR COOLED ENGINE

DATE:  
REV:



P I  
1530 00





DATE:  
REV:

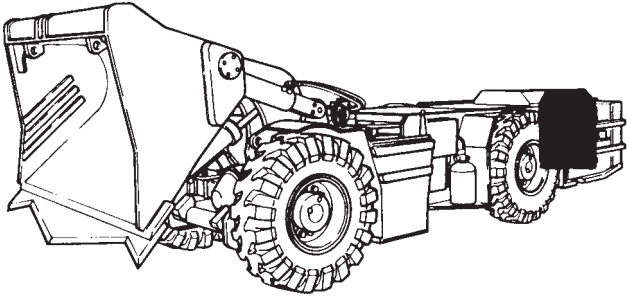
**BOART LONGYEAR  
AARDVARK 4.2 LOAD HAUL DUMPER  
REAR FRAME GRILL DOOR ASSEMBLY -  
F6L912W AIR COOLED ENGINE**

Pg 014

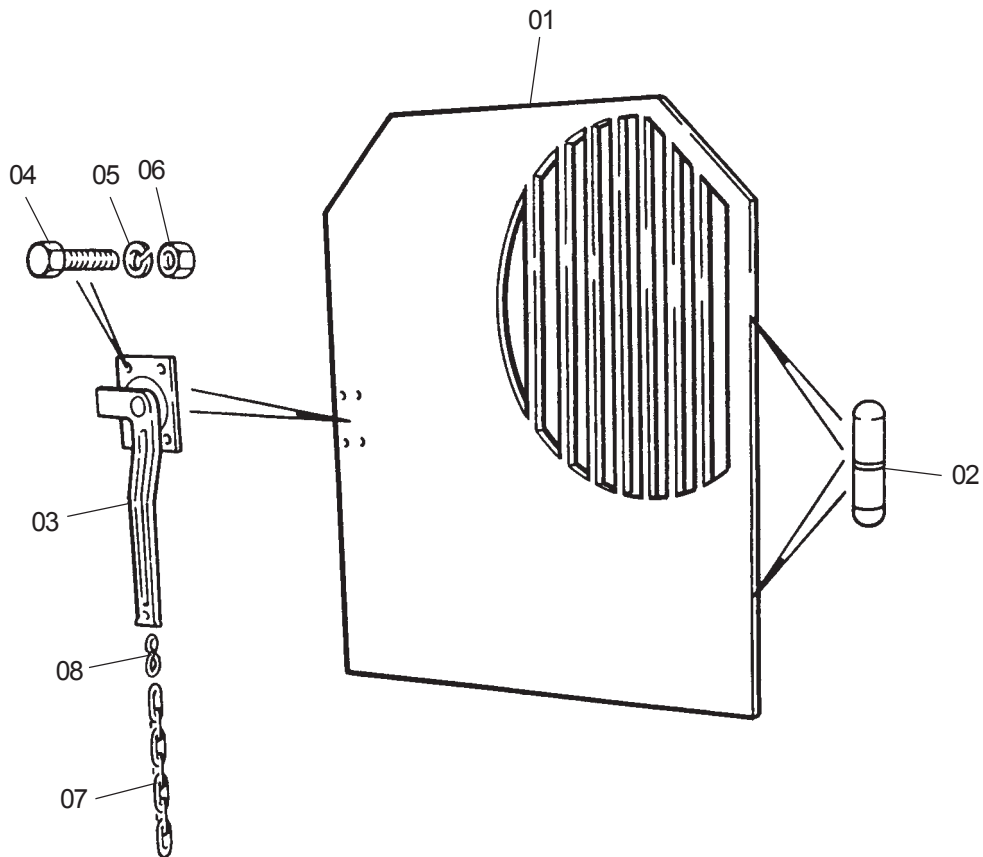
Pos	Item	Comm. No.	See Page	Qty	Part No.	Description	Dwg. No.
P	I						
1530	00			1	<b>GH-9093035955B</b>	<b>REAR FRAME GRILL DOOR ASSEMBLY - F6L912W AIR COOLED ENGINE</b>	
	01			1	GH-909030761	DOOR, Grill	
	02			2	GH-909040326	HINGE SET -Welded	
	03			1	GH-9094000504	LOCK, Door - Right	
	04			4	GH-20318000	SCREW, Hex Hd	
	05			4	GH-25404000	WASHER, Spring	
	06			4	GH-24104000	NUT, Hex	
	07			1	GH-29740000	CHAIN - Welded	
	08			1	GH-9094005536A	S-HOOK	

BOART LONGYEAR  
AARDVARK 4.2 LOAD HAUL DUMPER  
REAR FRAME GRILL DOOR ASSEMBLY -  
BF4M1013 WATER COOLED ENGINE

DATE:  
REV:



P I  
1530 00



DATE:  
REV:

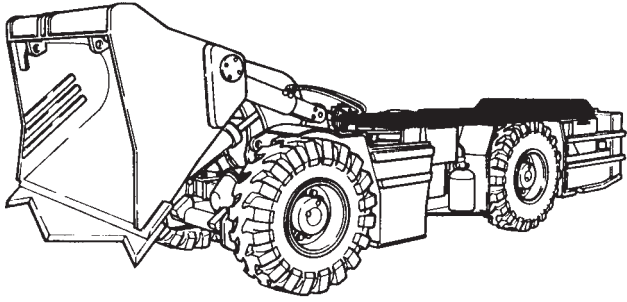
**BOART LONGYEAR  
AARDVARK 4.2 LOAD HAUL DUMPER  
REAR FRAME GRILL DOOR ASSEMBLY -  
BF4M1013 WATER COOLED ENGINE**

Pg 015

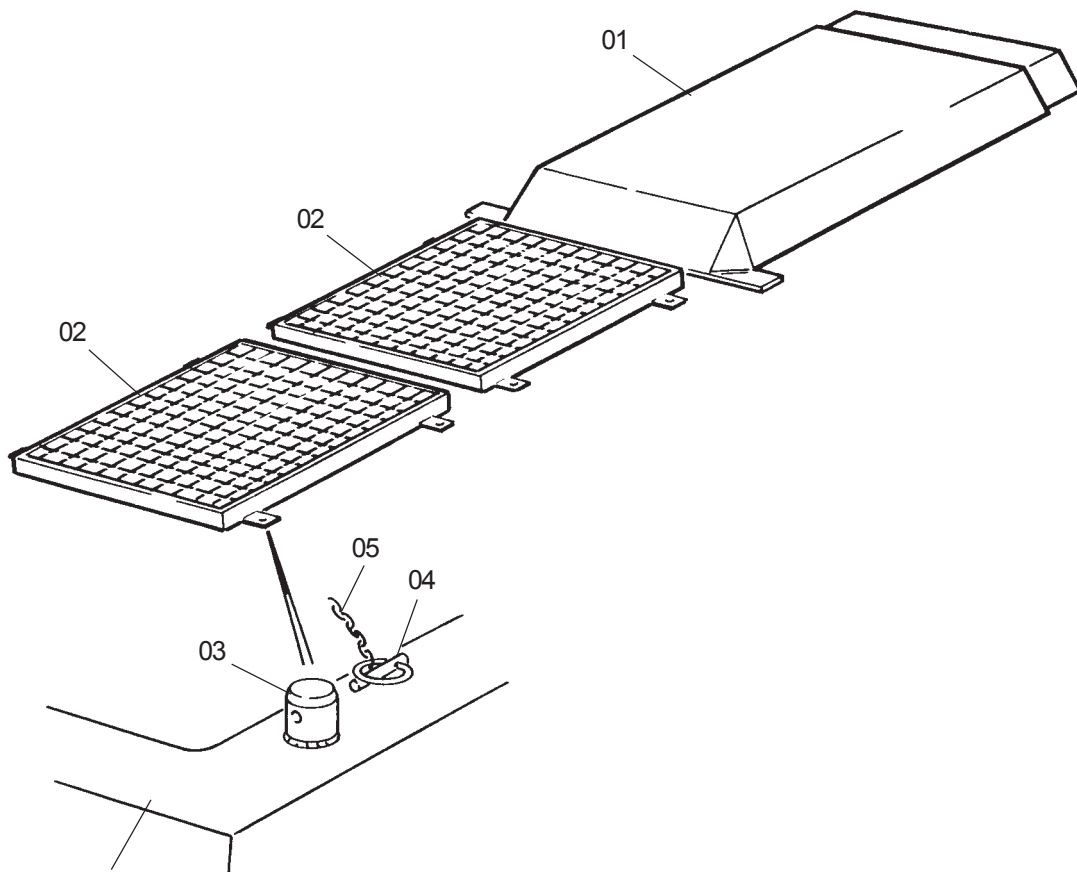
Pos	Item	Comm. No.	See Page	Qty	Part No.	Description	Dwg. No.
P	I						
1530	00			1	<b>UV-0590010</b>	<b>REAR FRAME GRILL DOOR ASSEMBLY - BF4M1013 WATER COOLED ENGINE</b>	
	01			1	C10026	DOOR, Grill	
	02			2	GH-909040326	HINGE SET -Welded	
	03			1	GH-9094000504	LOCK, Door - Right	
	04			4	GH-20318000	SCREW, Hex Hd	
	05			4	GH-25404000	WASHER, Spring	
	06			4	GH-24104000	NUT, Hex	
	07			1	GH-29740000	CHAIN - Welded	
	08			1	GH-9094005536A	S-HOOK	

BOART LONGYEAR  
AARDVARK 4.2 LOAD HAUL DUMPER  
REAR FRAME COVERS ASSEMBLY

DATE:  
REV:



P I  
1540 00



Refer to  
Page 012

DATE:  
REV:

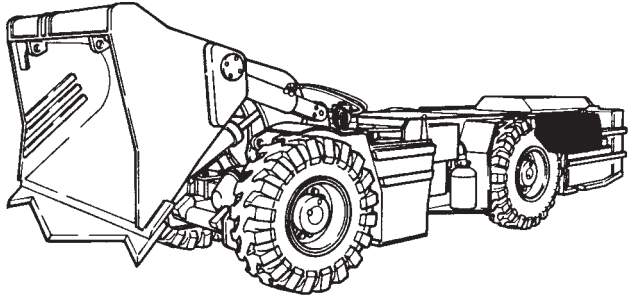
**BOART LONGYEAR  
AARDVARK 4.2 LOAD HAUL DUMPER  
REAR FRAME COVERS ASSEMBLY**

Pg 016

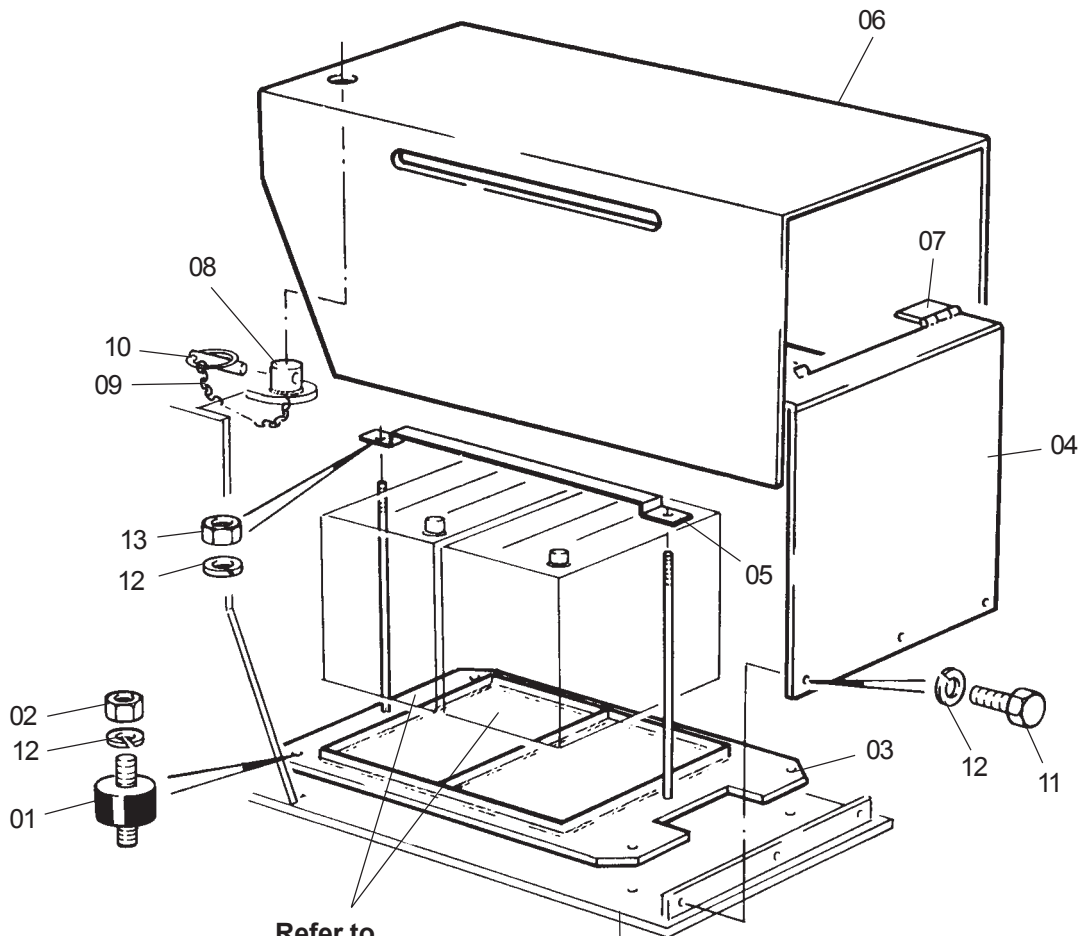
Pos	Item	Comm. No.	See Page	Qty	Part No.	Description	Dwg. No.
P	I						
1540	00			1	<b>GH-9090100883</b>	<b>REAR FRAME COVERS ASSEMBLY</b>	
	01			1	GH-9090200884	COVER, Engine - F6L912W Air Cooled Engine	
	01			1	B8063	COVER, Engine - BF4M1013 Water Cooled Engine	
	02			2	GH-9090300890	COVER, Middle/Transmission	
	03			12	GH-9094010089A	PIN - Welded	
	04			12	GH-55194000	PIN, Lock	
	05			12	GH-29740000	CHAIN, 100 lg - Welded	

**BOART LONGYEAR  
AARDVARK 4.2 LOAD HAUL DUMPER  
REAR FRAME BATTERY BOX ASSEMBLY -  
F6L912W AIR COOLED ENGINE**

DATE:  
REV:



P I  
1550 00



Refer to  
Page 194 and 195

Refer to  
Page 012

DATE:  
REV:

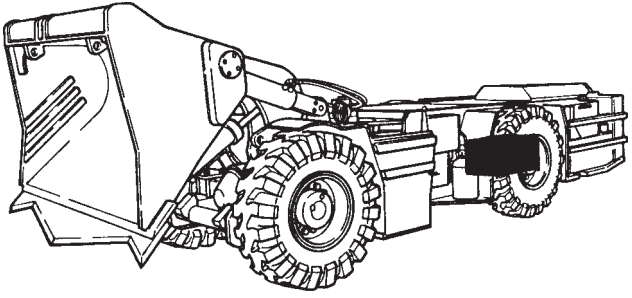
**BOART LONGYEAR  
AARDVARK 4.2 LOAD HAUL DUMPER  
REAR FRAME BATTERY BOX ASSEMBLY -  
F6L912W AIR COOLED ENGINE**

Pg 017

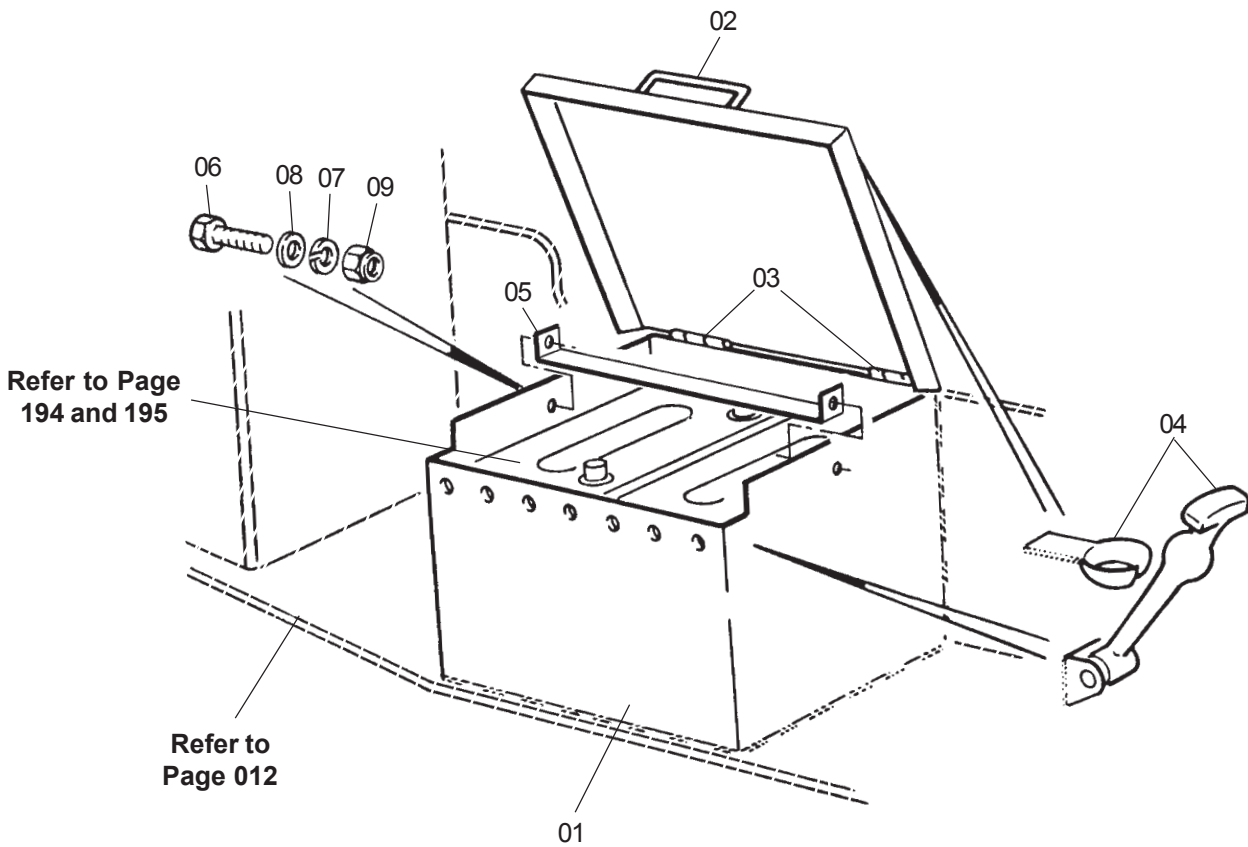
Pos Item P I	Comm. No.	See Page	Qty	Part No.	Description	Dwg. No.
1550 00			1	GH-9090201734	<b>REAR FRAME BATTERY BOX ASSEMBLY - F6L912W AIR COOLED ENGINE</b>	
01			4	GH-72862000	BUFFER, Rubber - Bonded Metal	
02			4	GH-24182000	NUT, Hex	
03			1	GH-9090301735	PLATE ASSEMBLY, Base	
04			1	GH-909040881	WALL, Side	
05			1	GH-9090491740	FRAME, Top	
06			1	GH-909040789	PLATE, Door	
07			2	GH-909040326	HINGE SET - Welded	
08			1	GH-9094010089A	PIN - Welded	
09			1	GH-29740000	CHAIN - Welded	
10			1	GH-55194000	PIN, Swing	
11			3	GH-20339000	SCREW, Hex Hd	
12			5	GH-25406000	WASHER, Spring	
13			2	GH-24183000	NUT, Hex	

**BOART LONGYEAR  
AARDVARK 4.2 LOAD HAUL DUMPER  
REAR FRAME BATTERY BOX ASSEMBLY -  
BF4M1013 WATER COOLED ENGINE**

DATE:  
REV:



P I  
1550 00





DATE:  
REV:

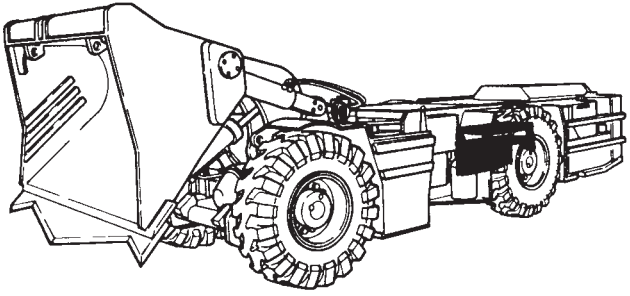
**BOART LONGYEAR  
AARDVARK 4.2 LOAD HAUL DUMPER  
REAR FRAME BATTERY BOX ASSEMBLY -  
BF4M1013 WATER COOLED ENGINE**

Pg 018

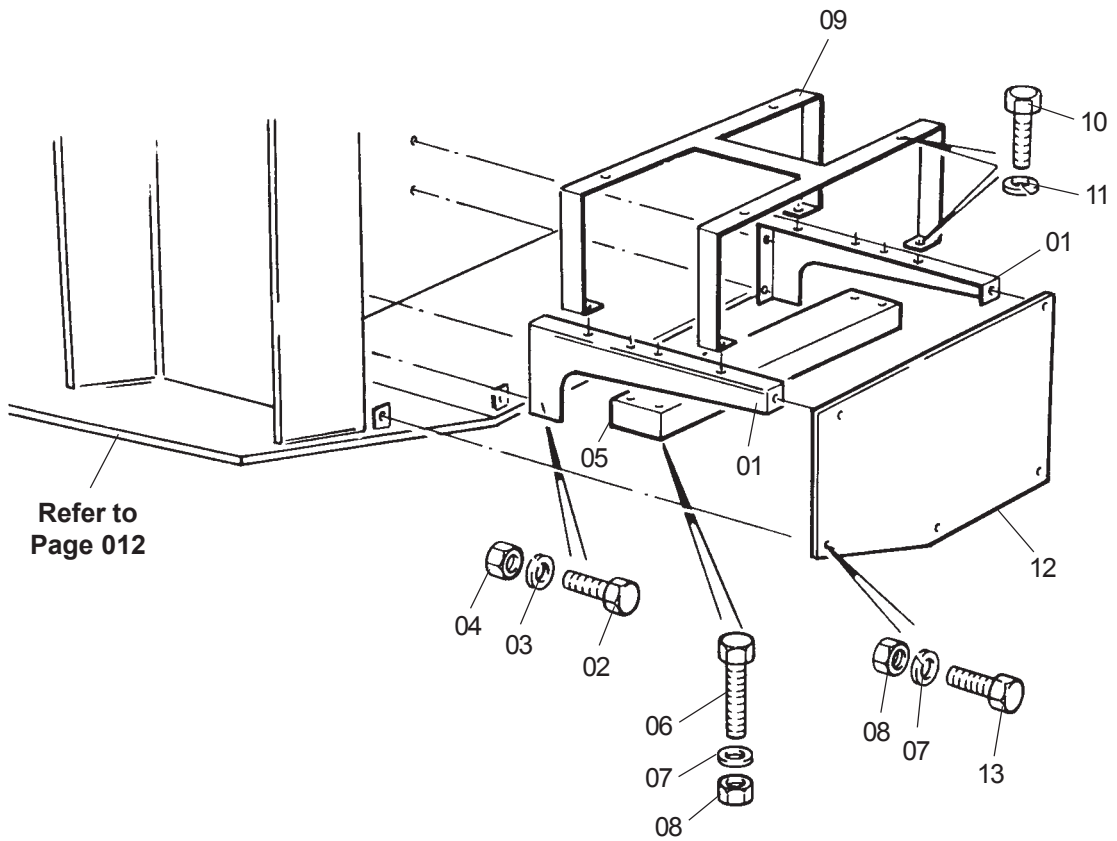
Pos	Item	Comm. No.	See Page	Qty	Part No.	Description	Dwg. No.
P	I						
1550	00			1	<b>UV-0590072</b>	<b>REAR FRAME BATTERY BOX ASSEMBLY - BF4M1013 WATER COOLED ENGINE</b>	
	01			1	UV-0590073	FRAME - Welded	
	02			1	UV-0590074	LID - Welded	
	03			2	UV-0590075	HINGE SET - Welded	
	04			1	UV-86700008	LATCH, Hold-down - Welded	
	05			1	UV-0590095	PLATE, Hold-Down	
	06			2	102-M8-20	BOLT, Hex Hd, M8 x 20 lg	
	07			2	143-M8	WASHER, Spring, Dia. 8	
	08			2	141-M8	WASHER, Flat, Dia. 8	
	09			2	121-M8	NUT, Hex, M8	

**BOART LONGYEAR  
AARDVARK 4.2 LOAD HAUL DUMPER  
REAR FRAME RH COMPARTMENT ASSEMBLY -  
F6L912W AIR COOLED ENGINE**

DATE:  
REV:



P I  
1560 00



DATE:  
REV:

**BOART LONGYEAR  
AARDVARK 4.2 LOAD HAUL DUMPER  
REAR FRAME RH COMPARTMENT ASSEMBLY -  
F6L912W AIR COOLED ENGINE**

Pg 019

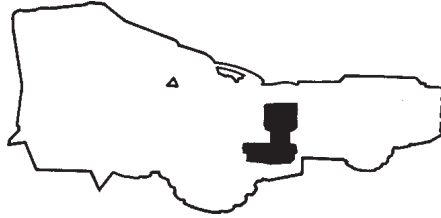
Pos	Item	Comm. No.	See Page	Qty	Part No.	Description	Dwg. No.
P	I						
1560	00			1	<b>GH-909030874</b>	<b>REAR FRAME RH COMPARTMENT ASSEMBLY - F6L912W AIR COOLED ENGINE</b>	
	01			2	GH-909030849	BRACKET ASSEMBLY	
	02			4	GH-20340000	BOLT, Hex Hd	
	03			4	GH-25406000	WASHER, Spring	
	04			4	GH-24183000	NUT, Hex	
	05			1	GH-909030806	BLOCK ASSEMBLY, Manifold	
	06			4	GH-20563000	BOLT, Hex Hd	
	07			9	GH-25405000	WASHER, Spring	
	08			9	GH-24182000	NUT, Hex	
	09			1	GH-909030843	STAND ASSEMBLY, Air Cleaner	
	10			8	GH-20028000	SCREW, Hex Hd	
	11			8	GH-25404000	WASHER, Spring	
	12			1	GH-909030848	PROTECTION ASSEMBLY, Side	
	13			5	GH-20312000	SCREW, Hex Hd	

BOART LONGYEAR  
AARDVARK 4.2 LOAD HAUL DUMPER  
OPERATOR STATION ASSEMBLY

DATE:  
REV:



P I  
1610 00



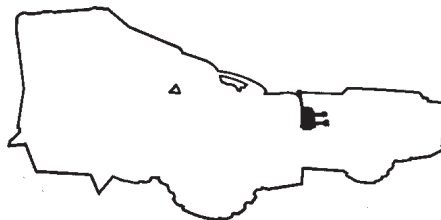
P I  
1620 00



P I  
1630 00



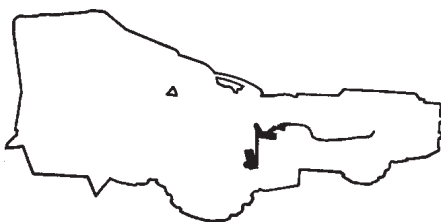
P I  
1640 00



P I  
1650 00



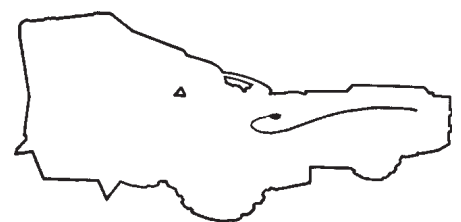
P I  
1660 00



P I  
1670 00



P I  
1680 00



P I  
1690 00

DATE:  
REV:

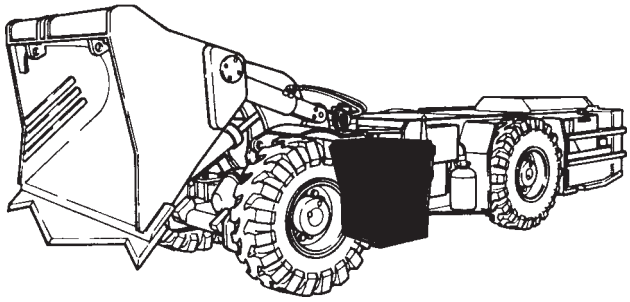
**BOART LONGYEAR  
AARDVARK 4.2 LOAD HAUL DUMPER  
OPERATOR STATION ASSEMBLY**

Pg 020

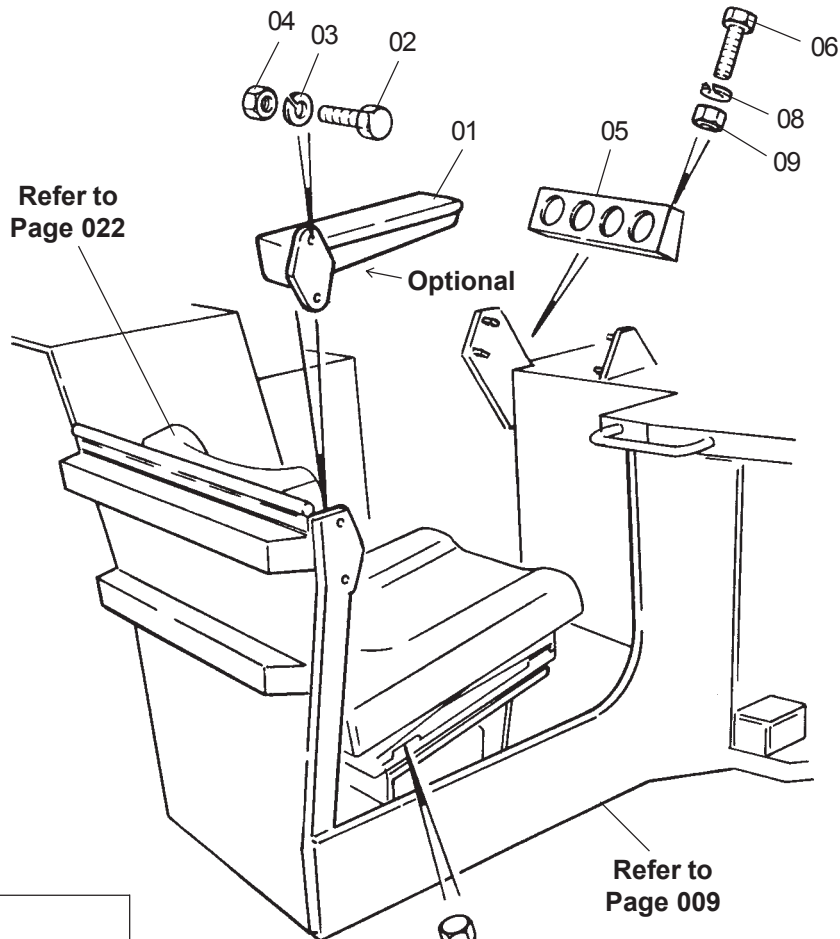
Pos	Item	Comm. No.	See Page	Qty	Part No.	Description	Dwg. No.
P	I						
1600	00			1		OPERATOR STATION ASSEMBLY	
1610	00		021	1	GH-909020705	OPERATOR STATION FINAL ASSEMBLY	
1620	00		022	1	GH-90397000	OPERATOR SEAT ASSEMBLY	
1630	00		023	1	GH-909010706	OPERATOR DUMP AND HOIST CONTROL ASSEMBLY	
1640	00		024	1	GH-909000706	OPERATOR STEERING CONTROL ASSEMBLY	
1650	00		025	1	GH-9090101626	OPERATOR GEAR SELECTOR CONTROL ASSEMBLY	
1660	00		026	1	GH-909000962	OPERATOR BRAKE CONTROL ASSEMBLY	
1670	00		027	1	GH-9090101756	OPERATOR ACCELERATOR CONTROL ASSEMBLY - LOAD FRAME END	
1680	00		028	1	GH-9090301873	OPERATOR ACCELERATOR CONTROL ASSEMBLY - ENGINE END	
1690	00		029	1	GH-9090300920-P	OPERATOR ENGINE SHUT-DOWN CONTROL ASSEMBLY	

**BOART LONGYEAR  
AARDVARK 4.2 LOAD HAUL DUMPER  
OPERATOR STATION FINAL ASSEMBLY**

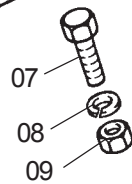
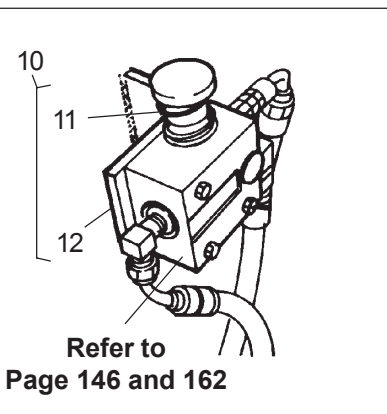
DATE:  
REV:



P I  
1610 00



**OPTIONAL**



DATE:  
REV:

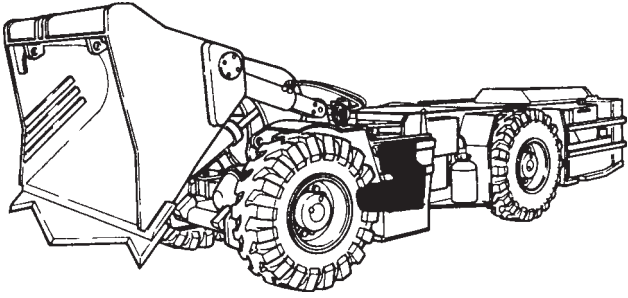
**BOART LONGYEAR  
AARDVARK 4.2 LOAD HAUL DUMPER  
OPERATOR STATION FINAL ASSEMBLY**

Pg 021

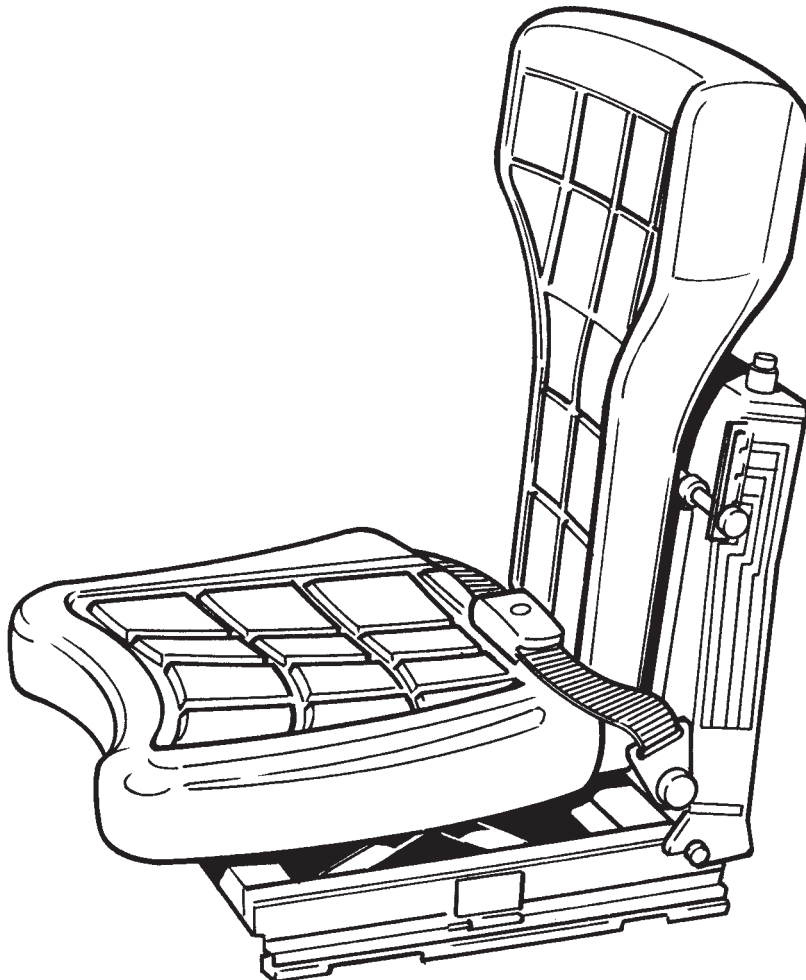
Pos	Item	Comm. No.	See Page	Qty	Part No.	Description	Dwg. No.
P	I						
1610	00			1	<b>GH-909020705</b>	<b>OPERATOR STATION FINAL ASSEMBLY</b>	
	01			1	GH-57502000	REST, Arm	
	02			2	GH-20327000	SCREW, Hex Hd	
	03			2	GH-25405000	WASHER, Spring	
	04			2	GH-24182000	NUT, Hex	
	05			1	9001029	PLATE, Gauge	
	06			4	GH-20317000	SCREW, Hex Hd	
	07			4	GH-20318000	SCREW, Hex Hd	
	08			8	GH-25404000	WASHER, Spring	
	09			8	GH-24179000	NUT, Hex	
	10			1	9001143	<b>OPTIONAL</b> BRAKE ASSEMBLY, Arm Rest c/w Item 11 - 12	
	11			1	9001134	CAM	
	12			1	9001096	BRACKET, Angle -Welded	

**BOART LONGYEAR  
AARDVARK 4.2 LOAD HAUL DUMPER  
OPERATOR SEAT ASSEMBLY**

DATE:  
REV:



P I  
1620 00





DATE:  
REV:

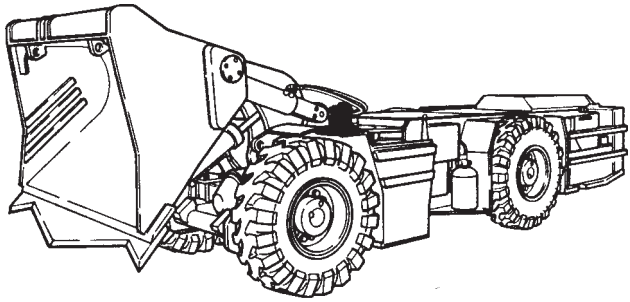
**BOART LONGYEAR  
AARDVARK 4.2 LOAD HAUL DUMPER  
OPERATOR SEAT ASSEMBLY**

Pg 022

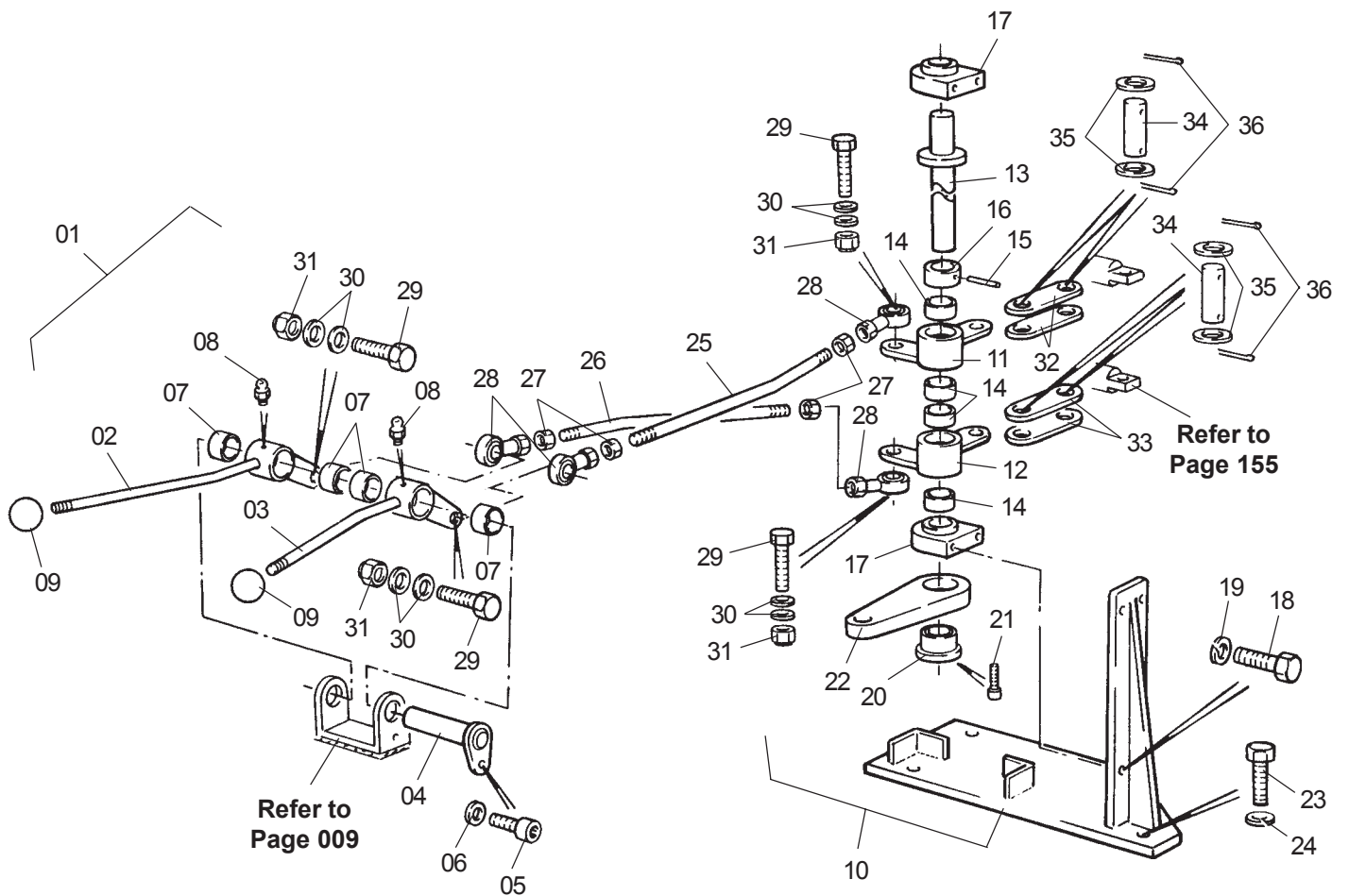
Pos Item P I	Comm. No.	See Page	Qty	Part No.	Description	Dwg. No.
1620 00			1	GH-90397000	OPERATOR SEAT ASSEMBLY  Note: Supplied as a unit	

**BOART LONGYEAR  
AARDVARK 4.2 LOAD HAUL DUMPER  
OPERATOR DUMP AND HOIST CONTROL ASSEMBLY**

DATE:  
REV:



P I  
1630 00



DATE:  
REV:

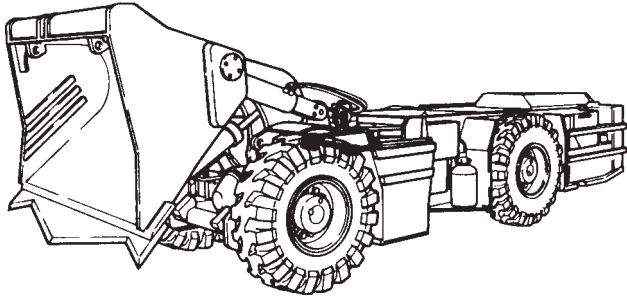
**BOART LONGYEAR  
AARDVARK 4.2 LOAD HAUL DUMPER  
OPERATOR DUMP AND HOIST CONTROL ASSEMBLY**

Pg 023

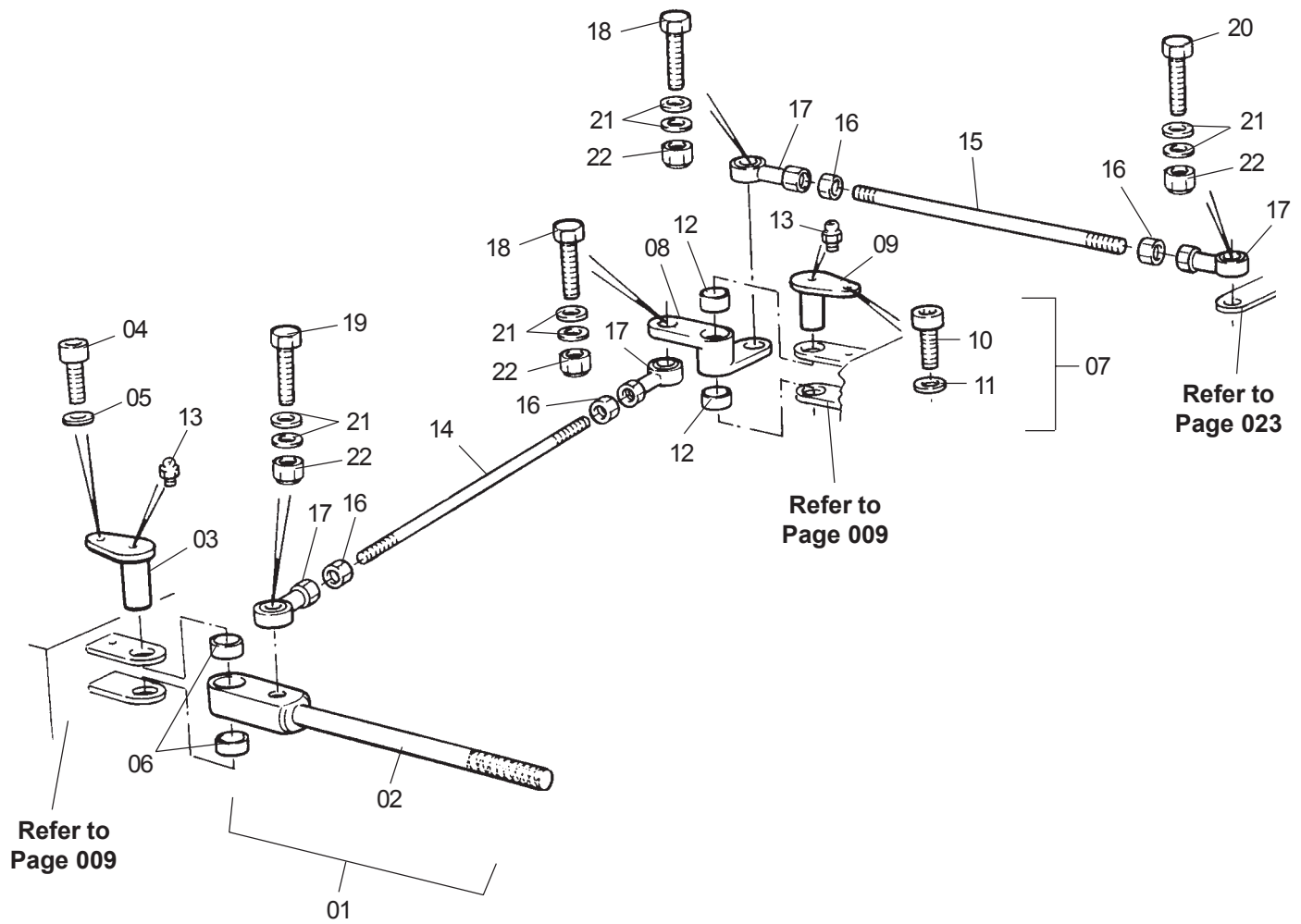
Pos	Item	Comm. No.	See Page	Qty	Part No.	Description	Dwg. No.
P	I						
1630	00			1	<b>GH-909010706</b>	<b>OPERATOR DUMP AND HOIST CONTROL ASSEMBLY</b>	
	01			1	GH-909030725	UNIT ASSEMBLY, Handle c/w Items 02 - 08	
	02			1	GH-909030729	HANDLE ASSEMBLY, Boom	
	03			1	GH-909030733	HANDLE ASSEMBLY, Bucket	
	04			1	GH-909040735	PIN, Locking	
	05			1	GH-21021000	SCREW, Cap Soc Hex Hd	
	06			1	GH-25404000	WASHER, Spring	
	07			4	GH-84086000	BEARING, Needle Roller	
	08			2	GH-34141000	ADAPTOR, Grease Straight, Male	
	09			2	GH-85213010	KNOB	
	10			1	GH-909010741	UNIT ASSEMBLY, Control c/w Items 11 - 24	
	11			1	GH-909040742	LEVER ASSEMBLY, Bucket	
	12			1	GH-909040744	LEVER ASSEMBLY, Boom	
	13			1	GH-909040747	PIN ASSEMBLY, Boom and Bucket	
	14			4	GH-84086000	BEARING, Needle Roller	
	15			1	GH-26712000	PIN, Roll	
	16			1	GH-BA2408095	SPACER	
	17			2	GH-K06818	BLOCK, Plummer	
	18			4	GH-20873000	BOLT, Hex Hd, M10 x 40 lg	
	19			4	GH-25404000	WASHER, Spring	
	20			1	GH-909030349	BUSH, Conical Expansion	
	21			9	GH-21013000	SCREW, Cap Soc Hex Hd	
	22			1	GH-909040750	LEVER	
	23			4	GH-20340000	BOLT, Hex Hd	
	24			4	GH-25406000	WASHER, Spring	
	25			1	GH-909040765	ROD ASSEMBLY, Boom c/w Items 27 - 31	
	26			1	GH-909030766	ROD ASSEMBLY, Bucket c/w Items 27 - 31	
	27			2	GH-24182000	NUT, Hex	
	28			2	GH-84087000	END, Rod	
	29			2	GH-20873000	BOLT, Hex Hd	
	30			4	GH-25006000	WASHER, Flat	
	31			2	GH-24600000	NUT, Hex Nyloc	
	32			4	GH-909040767	LEVER, Long	
	33			2	GH-909040768	LEVER, Short	
	34			6	GH-9094028596	PIN	
	35			20	GH-25006000	WASHER, Flat	
	36			12	GH-26826000	PIN, Split	

# BOART LONGYEAR AARDVARK 4.2 LOAD HAUL DUMPER OPERATOR STEERING CONTROL ASSEMBLY

DATE:  
REV:



P I  
1640 00



DATE:  
REV:

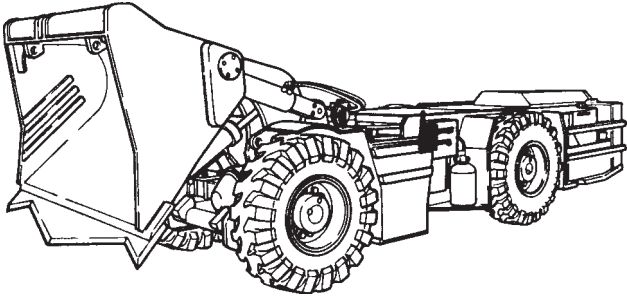
**BOART LONGYEAR  
AARDVARK 4.2 LOAD HAUL DUMPER  
OPERATOR STEERING CONTROL ASSEMBLY**

Pg 024

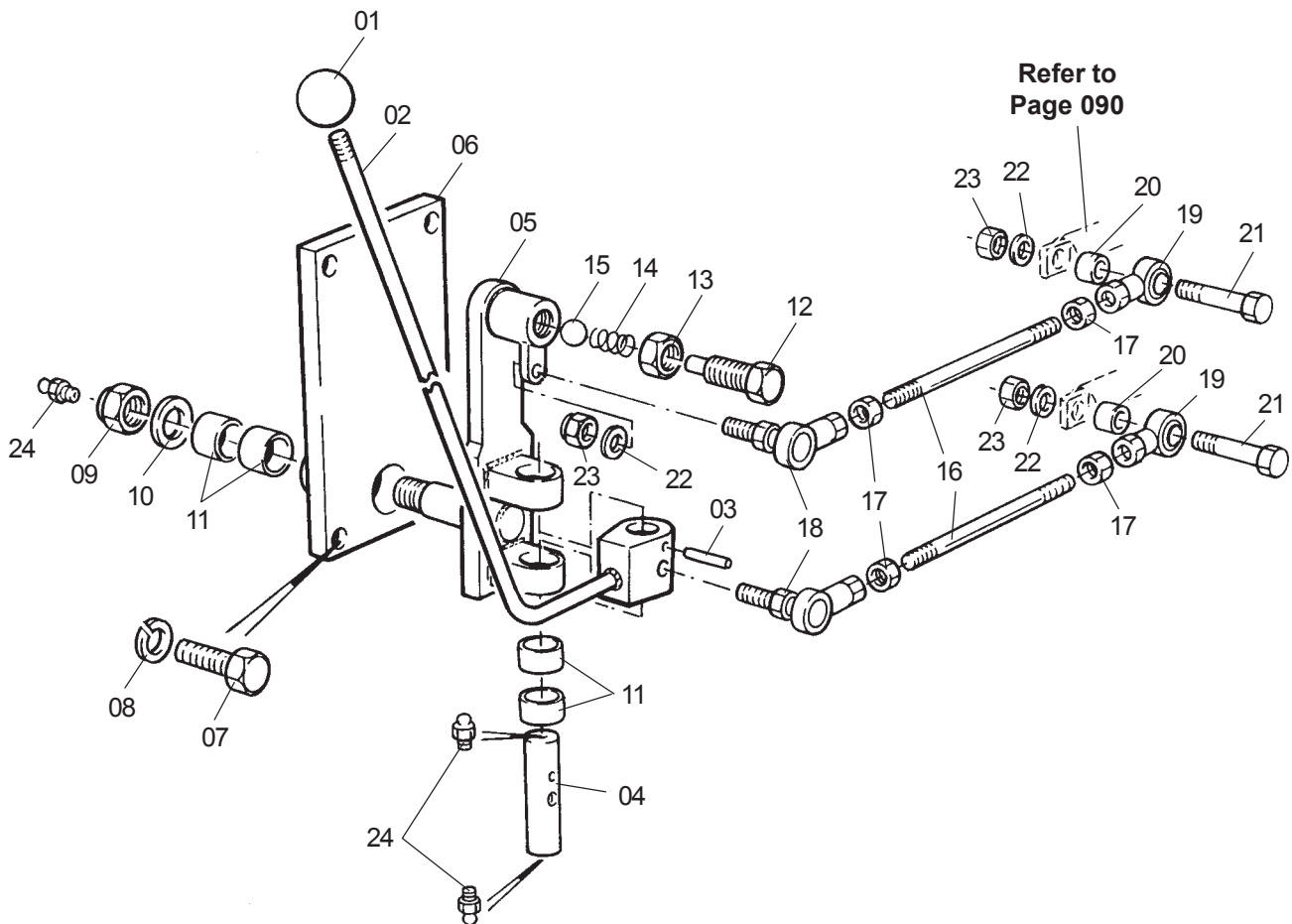
Pos	Item	Comm. No.	See Page	Qty	Part No.	Description	Dwg. No.
P	I						
1640	00			1	<b>GH-909000706</b>	<b>OPERATOR STEERING CONTROL ASSEMBLY</b>	
	01			1	GH-909030707	UNIT ASSEMBLY, Handle c/w items 02 - 06	
	02			1	GH-909040714	ROD	
	03			1	GH-909040708	PIN, Locking	
	04			1	GH-21021000	SCREW, Cap Soc Hex Hd	
	05			1	GH-25404000	WASHER, Spring	
	06			2	GH-84086000	BEARING, Needle Roller	
	07			1	GH-909030717	UNIT ASSEMBLY, Relay c/w Items 08 - 12	
	08			1	GH-909040719	LEVER, Relay	
	09			1	GH-909040708	PIN, Locking	
	10			1	GH-21021000	SCREW, Cap Soc Hex Hd	
	11			1	GH-25404000	WASHER, Spring	
	12			2	GH-84086000	BEARING, Needle Roller	
	13			2	GH-34141000	ADAPTOR, Grease Straight, Male	
	14			1	GH-909040722	ROD ASSEMBLY c/w Items 16 - 22	
	15			1	GH-909040724	ROD ASSEMBLY c/w Items 16 - 22	
	16			2	GH-24182000	NUT, Hex	
	17			2	GH-84087000	END, Rod	
	18			2	GH-20873000	SCREW, Hex Hd	
	19			1	GH-20587000	SCREW, Hex Hd	
	20			1	GH-20561000	SCREW, Hex Hd	
	21			4	GH-25006000	WASHER, Flat	
	22			2	GH-24600000	NUT, Hex Nyloc	

BOART LONGYEAR  
AARDVARK 4.2 LOAD HAUL DUMPER  
OPERATOR GEAR SELECTOR CONTROL ASSEMBLY

DATE:  
REV:



P I  
1650 00



DATE:  
REV:

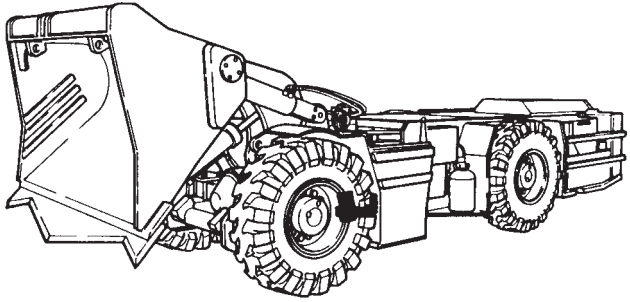
**BOART LONGYEAR  
AARDVARK 4.2 LOAD HAUL DUMPER  
OPERATOR GEAR SELECTOR CONTROL ASSEMBLY**

Pg 025

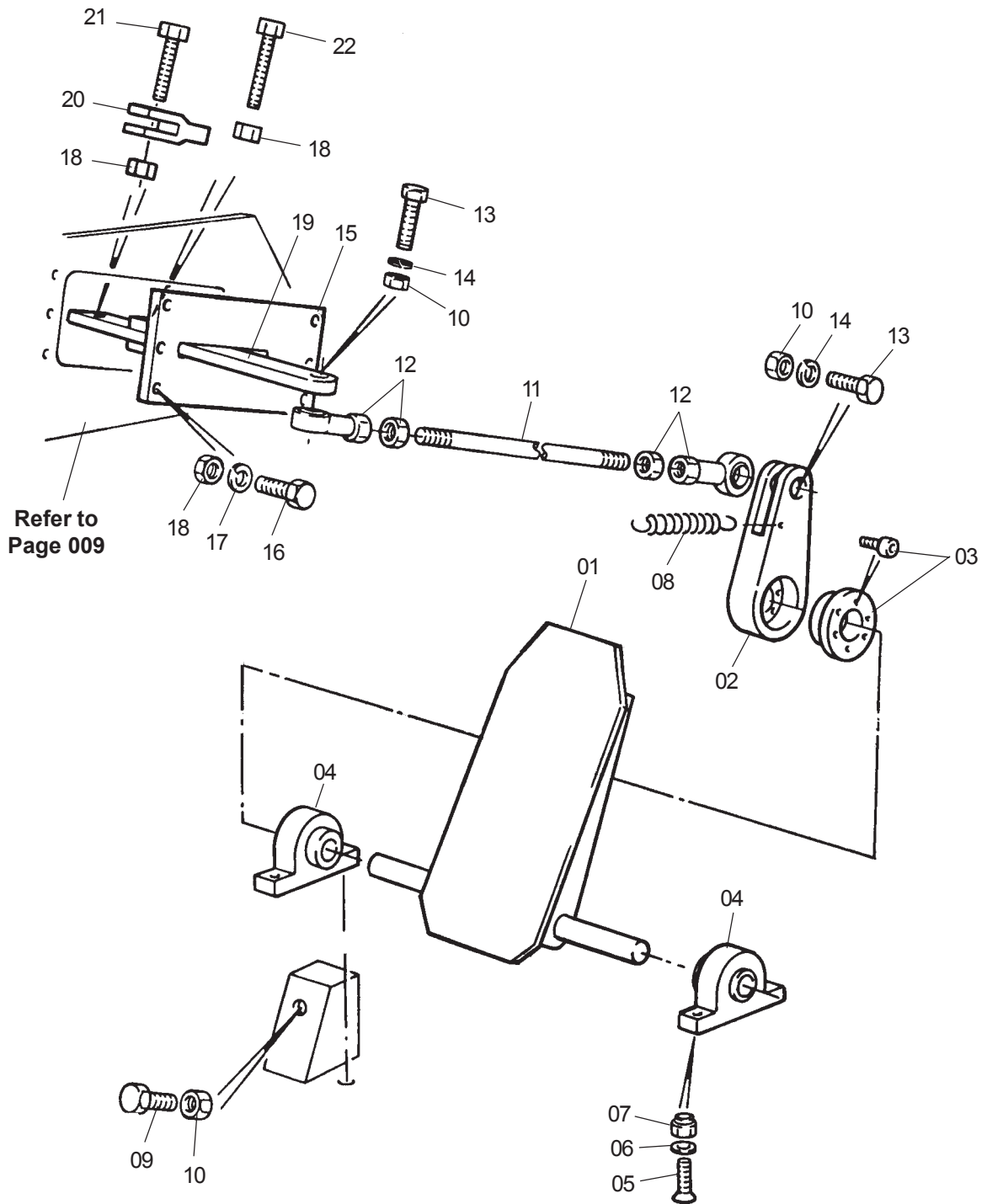
Pos	Item	Comm. No.	See Page	Qty	Part No.	Description	Dwg. No.
P	I						
1650	00			1	<b>GH-9090101626</b>	<b>OPERATOR GEAR SELECTOR CONTROL ASSEMBLY</b>	
	01			1	GH-85213010	KNOB	
	02			1	GH-9090401637	HANDLE	
	03			1	GH-26713000	PIN, Roll	
	04			1	GH-9090301630	PIN ASSEMBLY, Gear Selector	
	05			1	GH-9090201628	BRACKET ASSEMBLY, Gear Selector	
	06			1	GH-9090301629	HOUSING ASSEMBLY, Bearing	
	07			4	GH-20318000	SCREW, Hex Hd	
	08			4	GH-25404000	WASHER, Spring	
	09			1	GH-24617000	NUT, Hex Nyloc	
	10			1	GH-9090401638	WASHER	
	11			4	GH-84086000	BEARING, Needle	
	12			1	GH-9090401634	SCREW, Hex Hd	
	13			1	GH-24181000	NUT, Hex	
	14			1	GH-9090143	SPRING	
	15			1	GH-29462000	BALL, Steel	
	16			2	GH-9090401632	ROD	
	17			4	GH-24104000	NUT, Hex	
	18			2	GH-K64469	JOINT, Angle	
	19			2	GH-K09703	END, Rod	
	20			2	GH-9090401636	SPACER	
	21			2	GH-20322000	BOLT, Hex Hd	
	22			3	GH-25005000	WASHER, Flat	
	23			3	GH-24608000	NUT, Hex Nyloc	
	24			3	GH-34141000	ADAPTOR, Grease Straight, Male	

BOART LONGYEAR  
AARDVARK 4.2 LOAD HAUL DUMPER  
OPERATOR BRAKE CONTROL ASSEMBLY

DATE:  
REV:



P I  
1660 00





DATE:  
REV:

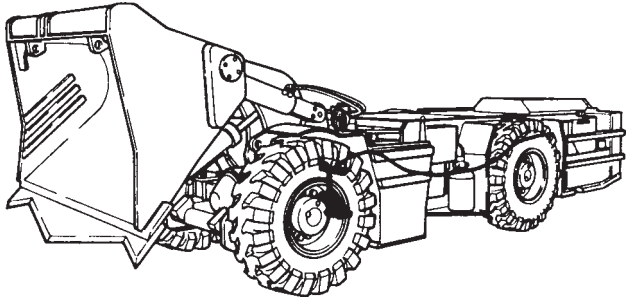
**BOART LONGYEAR  
AARDVARK 4.2 LOAD HAUL DUMPER  
OPERATOR BRAKE CONTROL ASSEMBLY**

Pg 026

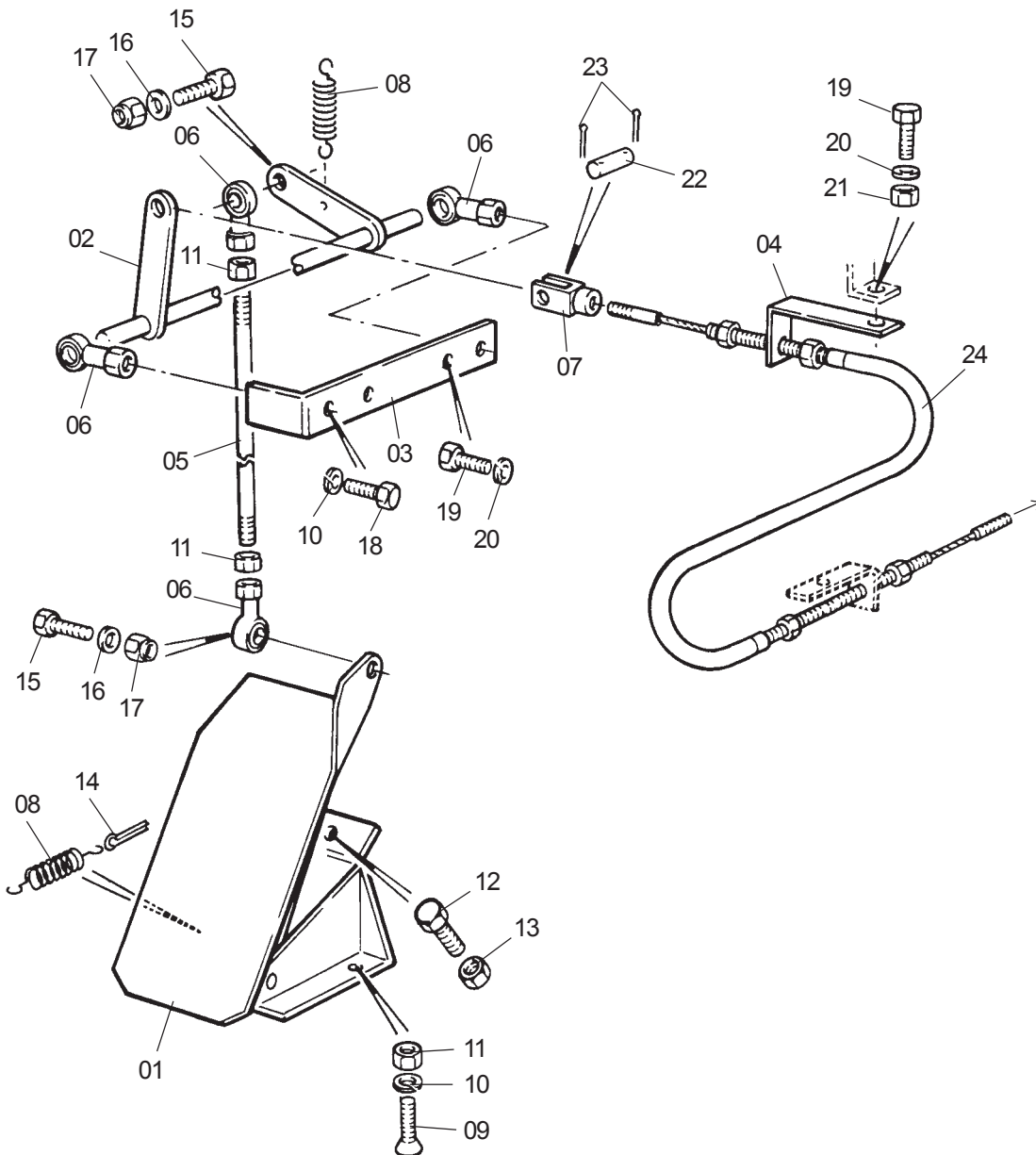
Pos Item		Comm. No.	See Page	Qty	Part No.	Description	Dwg. No.
P	I						
1660	00			1	<b>GH-909000962</b>	<b>OPERATOR BRAKE CONTROL ASSEMBLY</b>	
	01			1	GH-909040958	PEDAL ASSEMBLY, Brake	
	02			1	GH-9094036583	LEVER	
	03			1	GH-909030349	BUSH, Conical Expansion	
	04			2	GH-66667000	BLOCK, Plummer	
	05			4	GH-21205000	SCREW, Csk Soc Hex Hd	
	06			4	GH-25006000	WASHER, Flat	
	07			4	GH-24600000	NUT, Hex Nyloc	
	08			2	GH-9094020536	SPRING	
	09			1	GH-20343000	SCREW, Hex Hd	
	10			3	GH-24183000	NUT, Hex	
	11			1	GH-9094036579	ROD	
	12			2	GH-55147000	END, Rod	
	13			2	GH-20567000	BOLT, Hex Hd	
	14			2	GH-25406000	WASHER, Spring	
	15			1	GH-9090302390	BRACKET, Support	
	16			6	GH-20899000	BOLT, Hex Hd	
	17			6	GH-25006000	WASHER, Flat	
	18			8	GH-24600000	NUT, Hex Nyloc	
	19			1	GH-9090302392	LEVER, Operating	
	20			1	GH-9090402389	CLEVIS, Rod	
	21			1	102-M10-45	BOLT, Hex Hd, M10 x 45 lg	
	22			1	GH-20332000	BOLT, Hex Hd	

BOART LONGYEAR  
AARDVARK 4.2 LOAD HAUL DUMPER  
OPERATOR ACCELERATOR CONTROL ASSEMBLY -  
LOAD FRAME END

DATE:  
REV:



P I  
1670 00



To Page  
028

DATE:  
REV:

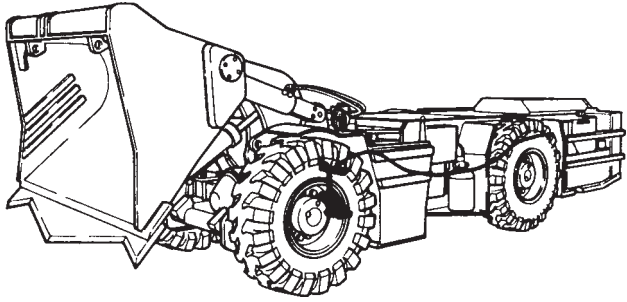
**BOART LONGYEAR  
AARDVARK 4.2 LOAD HAUL DUMPER  
OPERATOR ACCELERATOR CONTROL ASSEMBLY -  
LOAD FRAME END**

Pg 027

Pos	Item	Comm. No.	See Page	Qty	Part No.	Description	Dwg. No.
P	I						
1670	00			1	<b>GH-9090101756</b>	<b>OPERATOR ACCELERATOR CONTROL ASSEMBLY - LOAD FRAME END</b>	
	01			1	GH-9090301768	PEDAL ASSEMBLY, Accelerator	
	02			1	GH-9090301755	LEVER ASSEMBLY	
	03			1	GH-9090401754	BRACKET	
	04			1	GH-9090401746	BRACKET	
	05			1	GH-9090401753	ROD	
	06			4	GH-84087000	END, Rod	
	07			1	GH-9090401741	JOINT, Fork	
	08			2	GH-BA2408245	SPRING, Tension	
	09			3	GH-21035000	SCREW, Csk Soc Hex Hd	
	10			5	GH-25405000	WASHER, Spring	
	11			5	GH-24182000	NUT, Hex	
	12			1	GH-20342000	SCREW, Hex Hd	
	13			1	GH-24183000	NUT, Hex	
	14			1	GH-26847000	PIN, Split	
	15			2	GH-20333000	BOLT, Hex Hd	
	16			2	GH-25006000	WASHER, Flat	
	17			2	GH-24600000	NUT, Hex Nyloc	
	18			2	GH-20331000	SCREW, Hex Hd	
	19			3	GH-20327000	SCREW, Hex Hd	
	20			3	GH-25404000	WASHER, Spring	
	21			1	GH-24179000	NUT, Hex	
	22			1	GH-9090401772	PIN	
	23			2	GH-26818000	PIN, Split	
	24			1	GH-9090301747	CABLE ASSEMBLY, Throttle	

**BOART LONGYEAR  
AARDVARK 4.2 LOAD HAUL DUMPER  
OPERATOR ACCELERATOR CONTROL ASSEMBLY -  
ENGINE END**

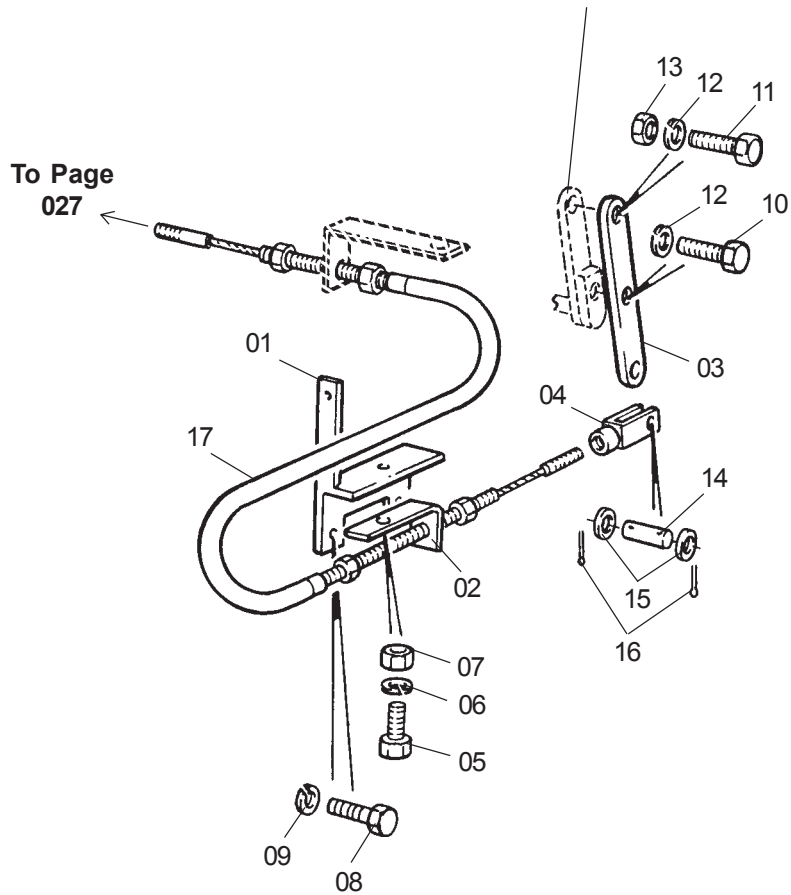
DATE:  
REV:



P I  
1680 00



Refer to Page  
042 and 043



DATE:  
REV:

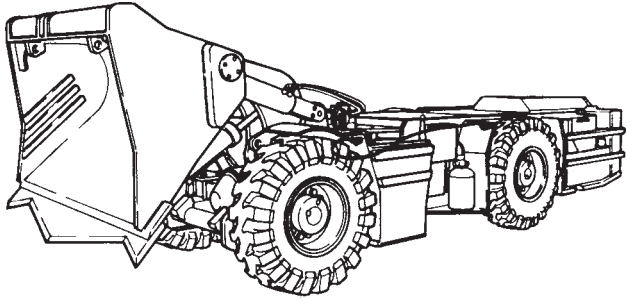
**BOART LONGYEAR  
AARDVARK 4.2 LOAD HAUL DUMPER  
OPERATOR ACCELERATOR CONTROL ASSEMBLY -  
ENGINE END**

Pg 028

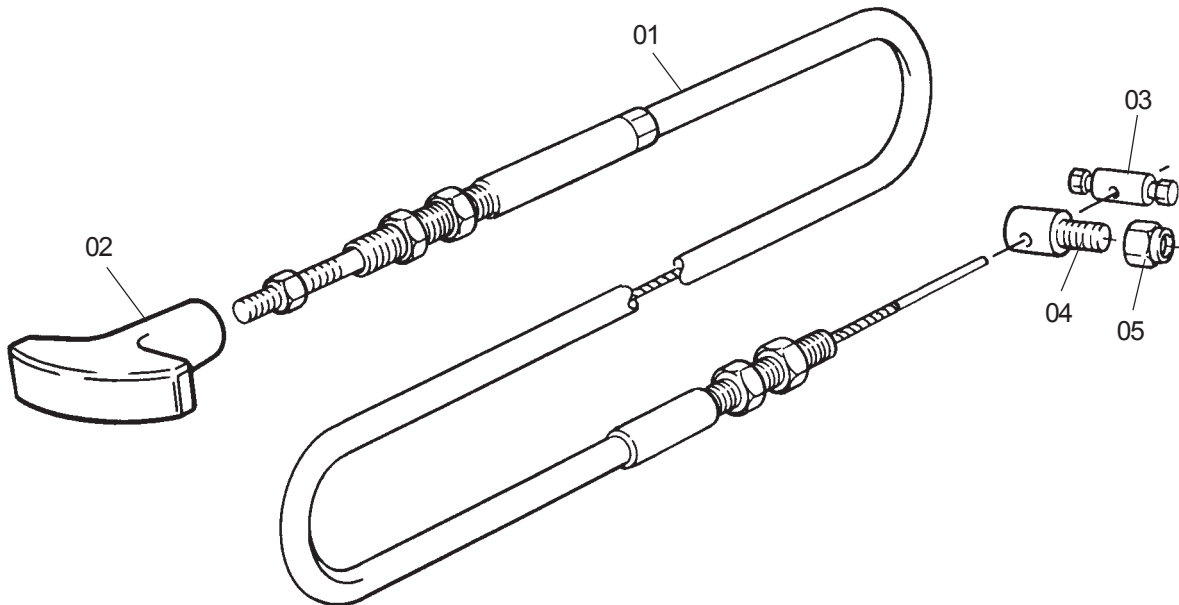
Pos	Item	Comm. No.	See Page	Qty	Part No.	Description	Dwg. No.
P	I						
1680	00			1	<b>GH-9090301873</b>	<b>OPERATOR ACCELERATOR CONTROL ASSEMBLY - ENGINE END</b>	
	01			1	GH-9090301744	BRACKET, Engine Side	
	02			1	GH-9090401743	BRACKET	
	03			1	GH-9090401742	LEVER	
	04			1	GH-9090401741	JOINT, Fork	
	05			2	GH-20874000	BOLT, Hex Hd	
	06			2	GH-25405000	WASHER, Spring	
	07			2	GH-24182000	NUT, Hex	
	08			2	GH-20317000	SCREW, Hex Hd	
	09			2	GH-25404000	WASHER, Spring	
	10			1	GH-20311000	SCREW, Hex Hd	
	11			1	GH-20310000	SCREW, Hex Hd	
	12			2	GH-25403000	WASHER, Spring	
	13			1	GH-24179000	NUT, Hex	
	14			1	GH-9090401772	PIN	
	15			2	GH-25005000	WASHER, Flat	
	16			2	GH-26818000	PIN, Split	
	17			1	GH-9090301747	CABLE ASSEMBLY, Throttle	

BOART LONGYEAR  
AARDVARK 4.2 LOAD HAUL DUMPER  
OPERATOR ENGINE SHUT-DOWN CONTROL ASSEMBLY

DATE:  
REV:



P I  
1690 00



DATE:  
REV:

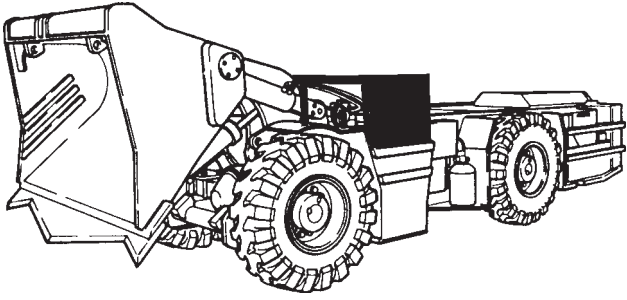
**BOART LONGYEAR  
AARDVARK 4.2 LOAD HAUL DUMPER  
OPERATOR ENGINE SHUT-DOWN CONTROL ASSEMBLY**

Pg 029

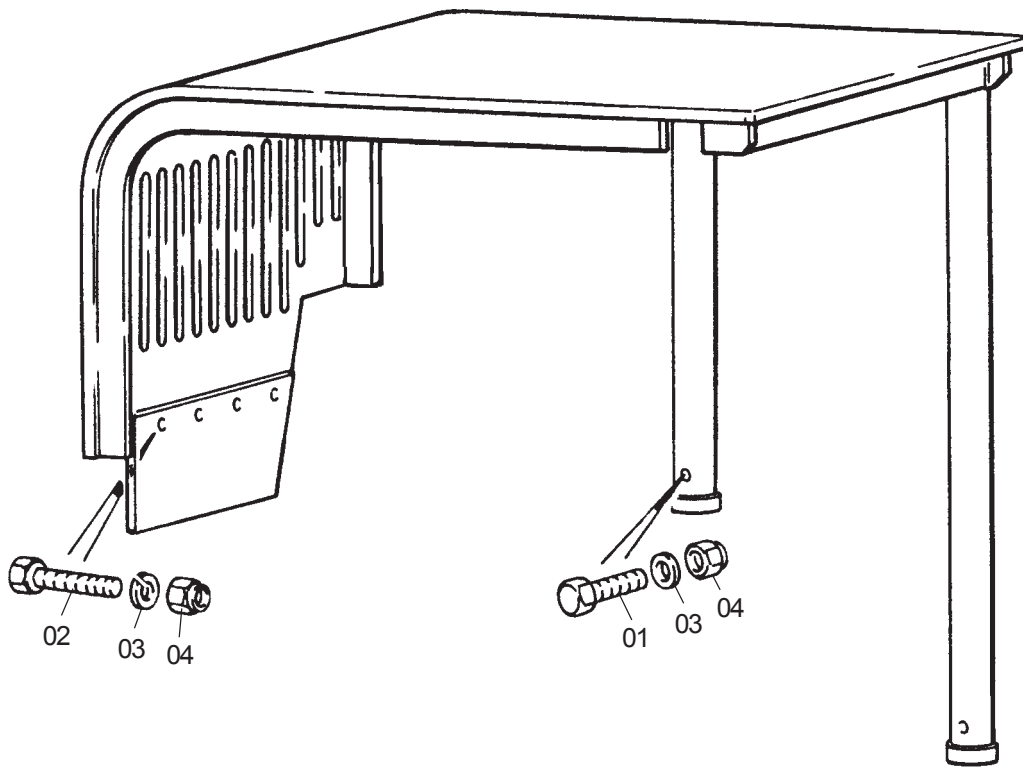
Pos	Item	Comm. No.	See Page	Qty	Part No.	Description	Dwg. No.
P	I						
1690	00			1	<b>GH-9090300920-P</b>	<b>OPERATOR ENGINE SHUT-DOWN CONTROL ASSEMBLY</b>	
	01			1	GH-909030920	CABLE	
	02			1	GH-57706000	KNOB	
	03			1	GH-999254	SLEEVE, Cable	
	04			1	GH-909040857	SCREW, Engine Stop	
	05			1	GH-24178000	NUT, Hex Nyloc	

BOART LONGYEAR  
AARDVARK 4.2 LOAD HAUL DUMPER  
OPERATOR CANOPY ASSEMBLY

DATE:  
REV:



P I  
1700 00





DATE:  
REV:

**BOART LONGYEAR  
AARDVARK 4.2 LOAD HAUL DUMPER  
OPERATOR CANOPY ASSEMBLY**

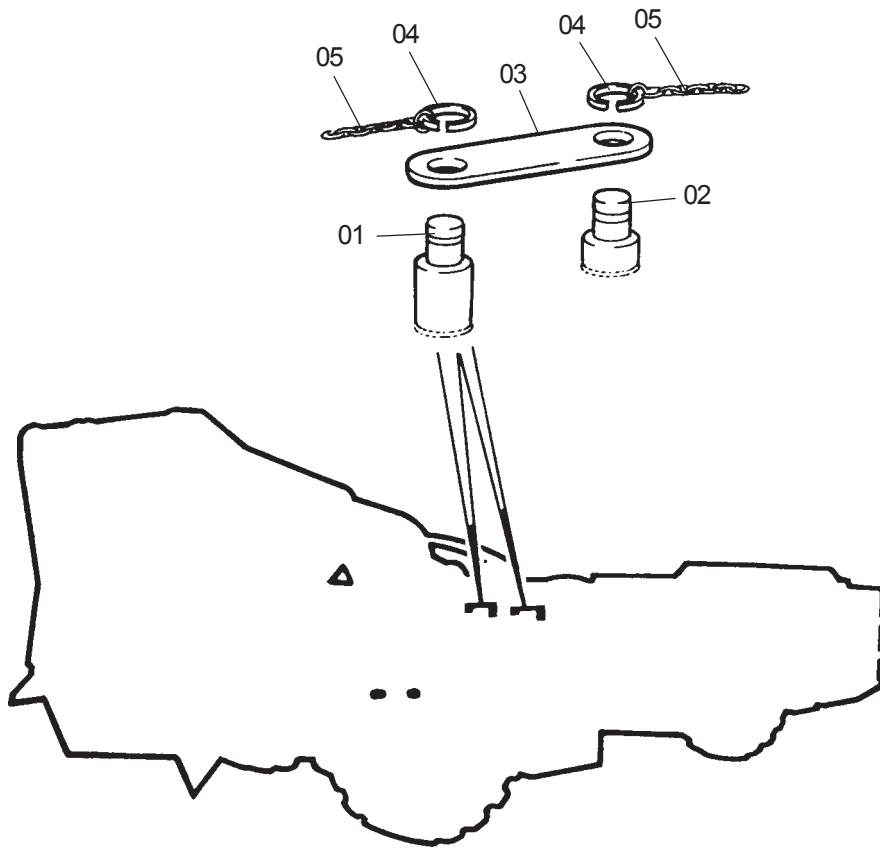
Pg 030

Pos	Item	Comm. No.	See Page	Qty	Part No.	Description	Dwg. No.
P	I						
1700	00			1	<b>UV-0900001</b>	<b>OPERATOR CANOPY ASSEMBLY</b>	
	01			2	GH-20569000	BOLT, Hex Hd, M12 x 80 lg	
	02			8	GH-20567000	BOLT, Hex Hd, M12 x 45 lg	
	03			10	GH-25406000	WASHER, Spring, Dia. 12	
	04			10	GH-24601000	NUT, Hex Nyloc, M12	

BOART LONGYEAR  
AARDVARK 4.2 LOAD HAUL DUMPER  
TRANSPORT SAFETY LOCK ASSEMBLY

DATE:  
REV:

P I  
1800 00



DATE:  
REV:

**BOART LONGYEAR  
AARDVARK 4.2 LOAD HAUL DUMPER  
TRANSPORT SAFETY LOCK ASSEMBLY**

Pg 031

Pos	Item	Comm. No.	See Page	Qty	Part No.	Description	Dwg. No.
1800	00			1	<b>GH-9091036518</b>	<b>TRANSPORT SAFETY LOCK ASSEMBLY</b>	
	01			2	GH-909040584	PIN - Welded	
	02			4	GH-909040109	PIN - Welded	
	03			1	GH-9094036517	PLATE, Locking	
	04			2	GH-55194000	CLIP, Locking Plate	
	05			1	GH-29740000	CHAIN - Welded	



**PAGES 032 TO 040 LEFT BLANK  
FOR FUTURE USE**

BOART LONGYEAR  
AARDVARK 4.2 LOAD HAUL DUMPER  
ENGINE GROUP

DATE:  
REV:



P I  
2100 00



P I  
2200 00



P I  
2300 00

DATE:  
REV:

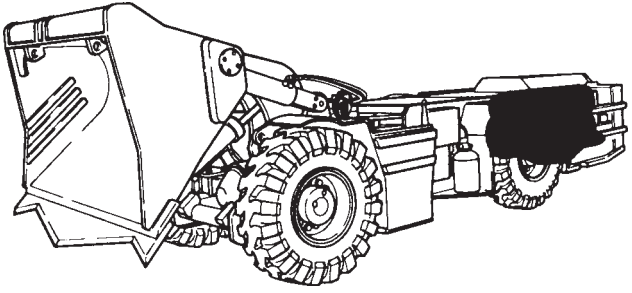
**BOART LONGYEAR  
AARDVARK 4.2 LOAD HAUL DUMPER  
ENGINE GROUP**

Pg 041

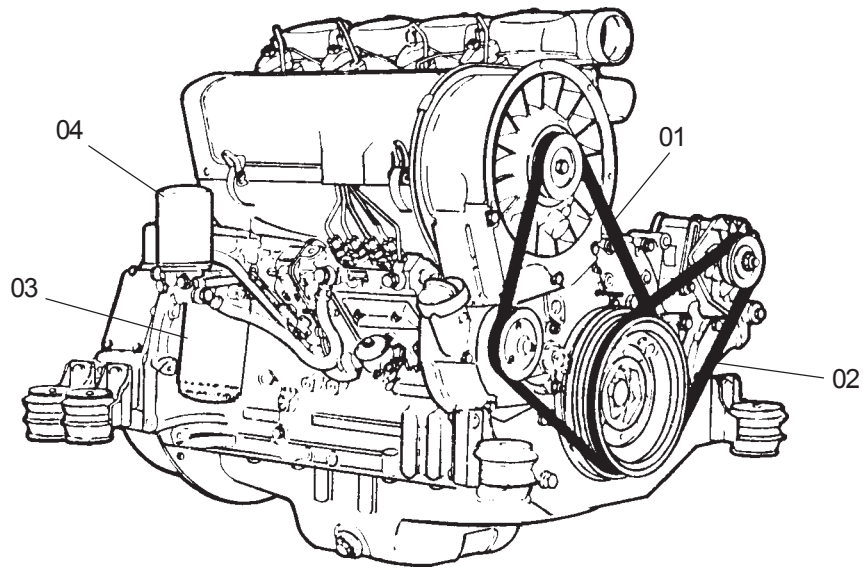
Pos	Item	Comm. No.	See Page	Qty	Part No.	Description	Dwg. No.
P	I						
2000	00			1		ENGINE GROUP	
2100	00		042	1	UV-82000033	ENGINE ASSEMBLY - F6L912W AIR COOLED	
2100	00		043	1	UV-82000034	ENGINE ASSEMBLY - BF4M1013 WATER COOLED	
2200	00		044	1	GH-9093036528	ENGINE AIR INTAKE SHROUD ASSEMBLY - F6L912W AIR COOLED	
2200	00		045	1		ENGINE AIR INTAKE SHROUD ASSEMBLY - BF4M1013 WATER COOLED	
2300	00		046	1		ENGINE MOUNTING ASSEMBLY - F6L912W AIR COOLED	
2300	00		047	1		ENGINE MOUNTING ASSEMBLY - BF4M1013 WATER COOLED	

**BOART LONGYEAR  
AARDVARK 4.2 LOAD HAUL DUMPER  
ENGINE ASSEMBLY - F6L912W AIR COOLED**

DATE:  
REV:



P I  
2100 00





DATE:  
REV:

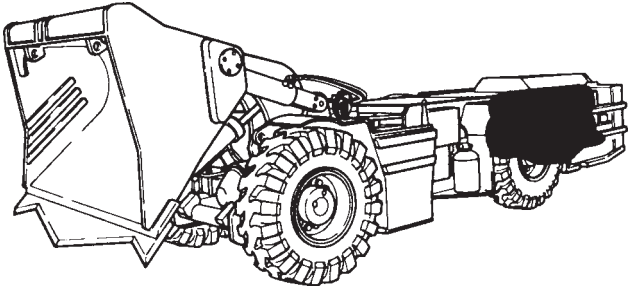
**BOART LONGYEAR  
AARDVARK 4.2 LOAD HAUL DUMPER  
ENGINE ASSEMBLY - F6L912W AIR COOLED**

Pg 042

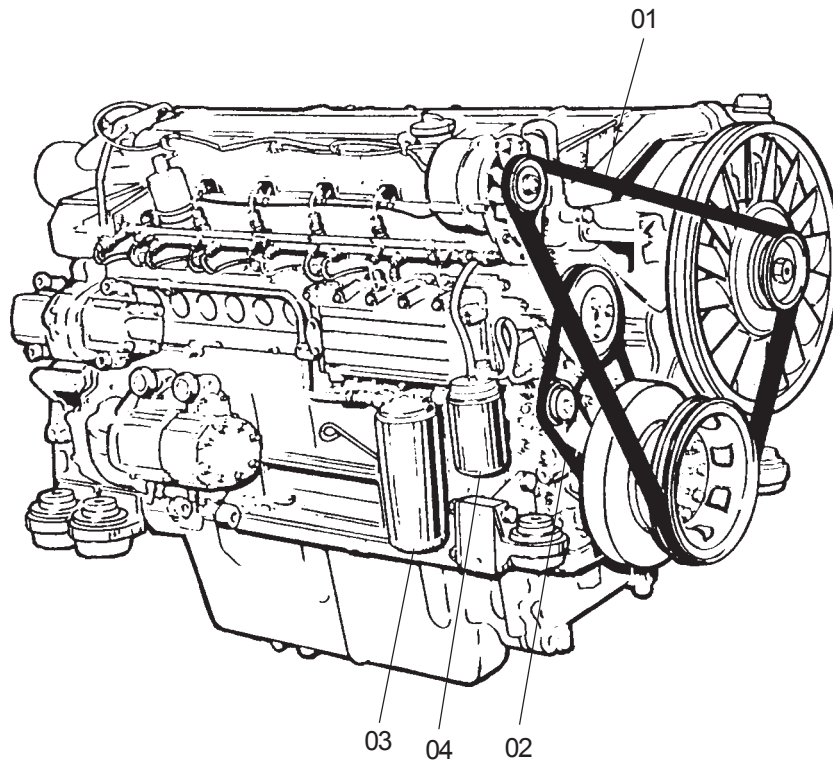
Pos	Item	Comm. No.	See Page	Qty	Part No.	Description	Dwg. No.
2100	00			1	<b>UV-82000033</b>	<b>ENGINE ASSEMBLY - F6L912W AIR COOLED</b>	
	01			1	GH-2235533	V-BELT, Blower Fan	
	02			1	GH-2235181	V-BELT, Alternator	
	03			1	GH-55018000	ELEMENT, Filter-Oil	
	04			1	GH-87237000	ELEMENT, Filter-Fuel	
						<b>Note:</b> For parts breakdown see Deutz manual	

**BOART LONGYEAR  
AARDVARK 4.2 LOAD HAUL DUMPER  
ENGINE ASSEMBLY - BF4M1013 WATER COOLED**

DATE:  
REV:



P I  
2100 00



DATE:  
REV:

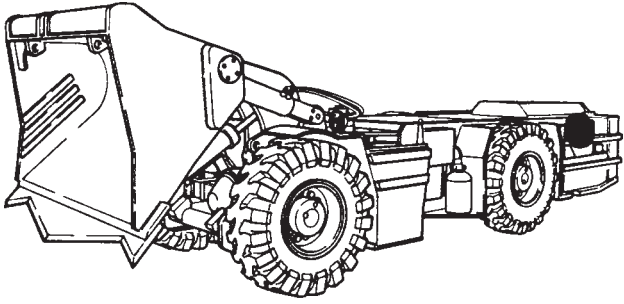
**BOART LONGYEAR  
AARDVARK 4.2 LOAD HAUL DUMPER  
ENGINE ASSEMBLY - BF4M1013 WATER COOLED**

Pg 043

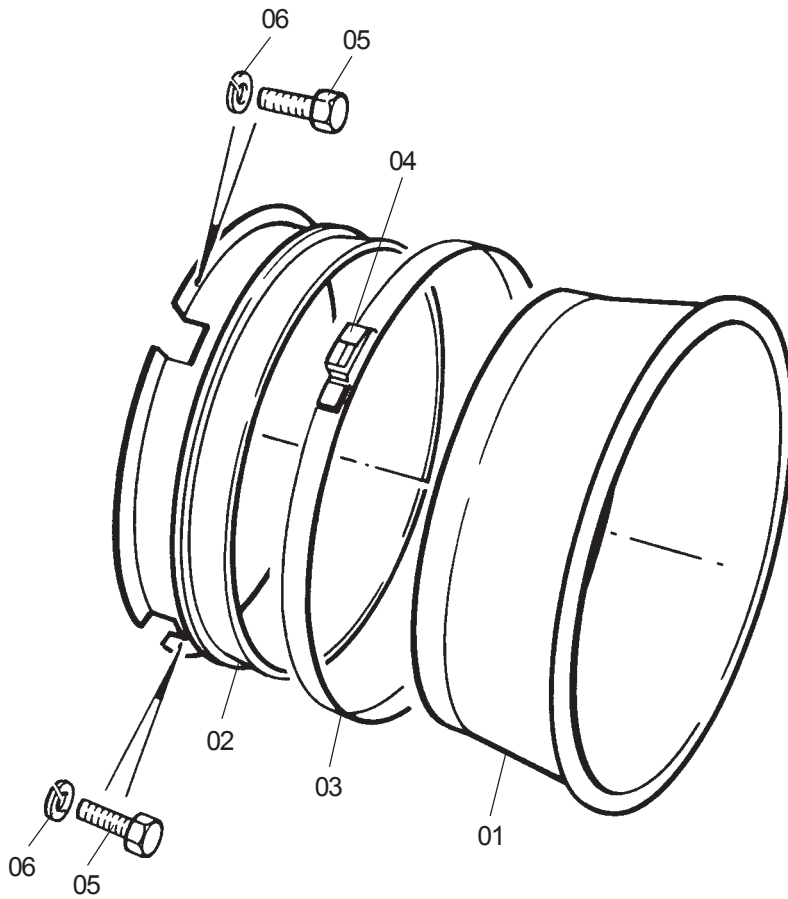
Pos	Item	Comm. No.	See Page	Qty	Part No.	Description	Dwg. No.
2100	00			1	UV-82000034	<b>ENGINE ASSEMBLY - BF4M1013 WATER COOLED</b>	
	01			1	GH-1180849	V-BELT, Alternator	
	02			1	GH-1181471	V-BELT, Blower	
	03			1	UV-82100207	ELEMENT, Filter-Oil	
	04			1	UV-82100203	ELEMENT, Filter-Fuel	
						<b>Note:</b> For parts breakdown see Deutz manual	

**BOART LONGYEAR  
AARDVARK 4.2 LOAD HAUL DUMPER  
ENGINE AIR INTAKE SHROUD ASSEMBLY -  
F6L912W AIR COOLED**

DATE:  
REV:



P I  
2200 00



DATE:  
REV:

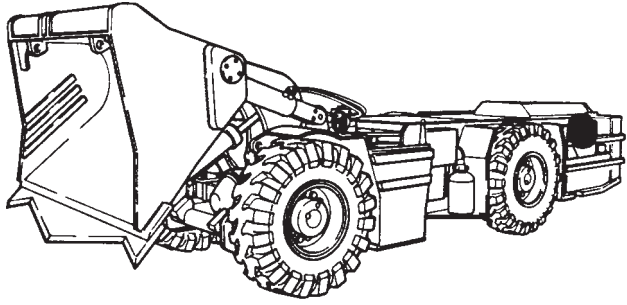
**BOART LONGYEAR  
AARDVARK 4.2 LOAD HAUL DUMPER  
ENGINE AIR INTAKE SHROUD ASSEMBLY -  
F6L912W AIR COOLED**

Pg 044

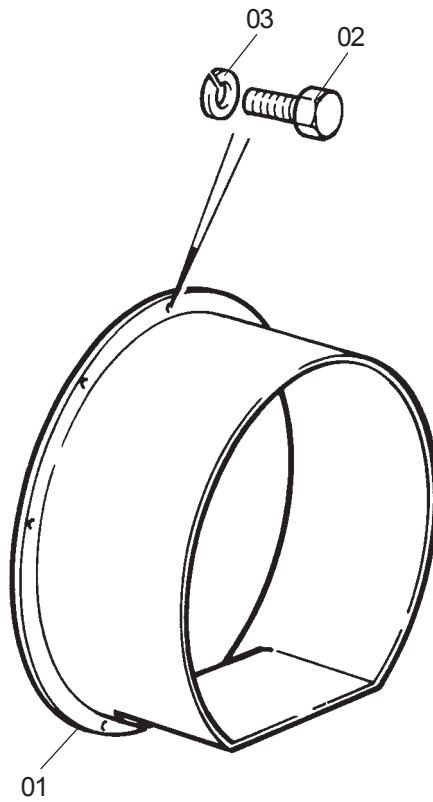
Pos	Item	Comm. No.	See Page	Qty	Part No.	Description	Dwg. No.
P	I						
2200	00			1	<b>GH-9093036528</b>	<b>ENGINE AIR INTAKE SHROUD ASSEMBLY - F6L912W AIR COOLED</b>	
	01			1	GH-9094009431	HOOD, Guide	
	02			1	GH-9094036528A	SOCKET, Intake	
	03			1	GH-33201000	STRAP, Hose	
	04			1	GH-33204000	LOCK, Tension	
	05			4	GH-20309000	SCREW, Hex Hd	
	06			4	GH-25403000	WASHER, Spring	

**BOART LONGYEAR  
AARDVARK 4.2 LOAD HAUL DUMPER  
ENGINE AIR INTAKE SHROUD ASSEMBLY -  
BF4M1013 WATER COOLED**

DATE:  
REV:



P I  
2200 00



DATE:  
REV:

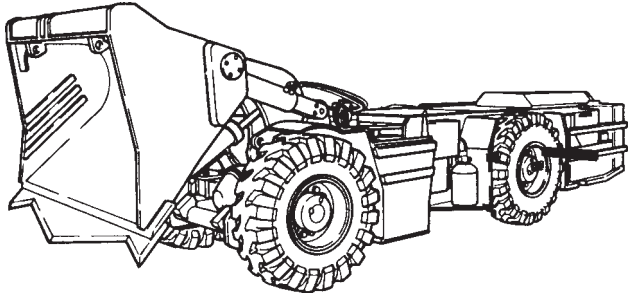
**BOART LONGYEAR  
AARDVARK 4.2 LOAD HAUL DUMPER  
ENGINE AIR INTAKE SHROUD ASSEMBLY -  
BF4M1013 WATER COOLED**

Pg 045

Pos	Item	Comm. No.	See Page	Qty	Part No.	Description	Dwg. No.
P	I						
2200	00			1		<b>ENGINE AIR INTAKE SHROUD ASSEMBLY - BF4M1013 WATER COOLED</b>	
	01			1	A6028	COWLING, Air Intake	
	02			8	102-M6-15	SCREW, Hex Hd, M6 x 15 lg	
	03			8	143-M6	WASHER, Spring, Dia. 6	

BOART LONGYEAR  
AARDVARK 4.2 LOAD HAUL DUMPER  
ENGINE MOUNTING ASSEMBLY - F6L912W AIR COOLED

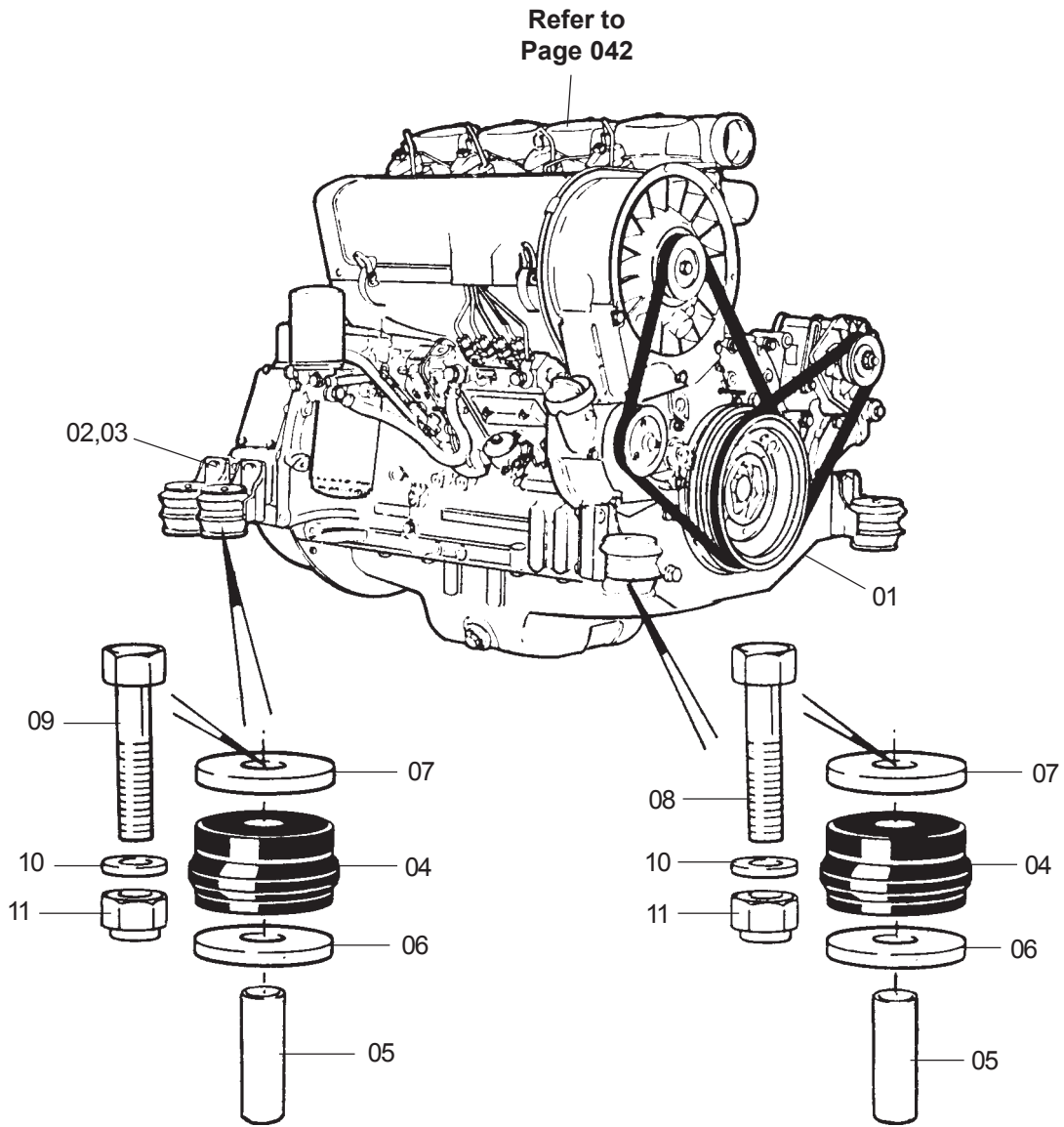
DATE:  
REV:



P I  
2300 00



Refer to  
Page 042





DATE:  
REV:

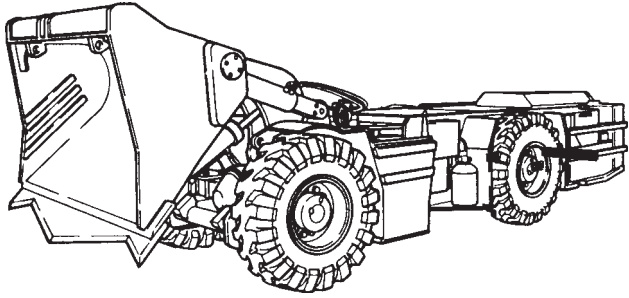
**BOART LONGYEAR  
AARDVARK 4.2 LOAD HAUL DUMPER  
ENGINE MOUNTING ASSEMBLY - F6L912W AIR COOLED**

Pg 046

Pos	Item	Comm. No.	See Page	Qty	Part No.	Description	Dwg. No.
P	I						
2300	00			1		<b>ENGINE MOUNTING ASSEMBLY - F6L912W AIR COOLED</b>	
	01			1		BRACKET, Cross Member - Engine	
	02			1		BRACKET, Mounting - RH	
	03			1		BRACKET, Mounting - LH	
	04			6	GH-999446	MOUNTING, Flexible	
	05			6	GH-999447	SLEEVE, Engine Mounting	
	06			6	GH-86865000	WASHER	
	07			6	GH-86864000	WASHER	
	08			2	GH-20800000	BOLT, Hex Hd	
	09			4	GH-20801000	BOLT, Hex Hd	
	10			6	GH-25156000	WASHER, Flat	
	11			6	GH-24601000	NUT, Hex Nyloc	

**BOART LONGYEAR  
AARDVARK 4.2 LOAD HAUL DUMPER  
ENGINE MOUNTING ASSEMBLY -  
BF4M1013 WATER COOLED**

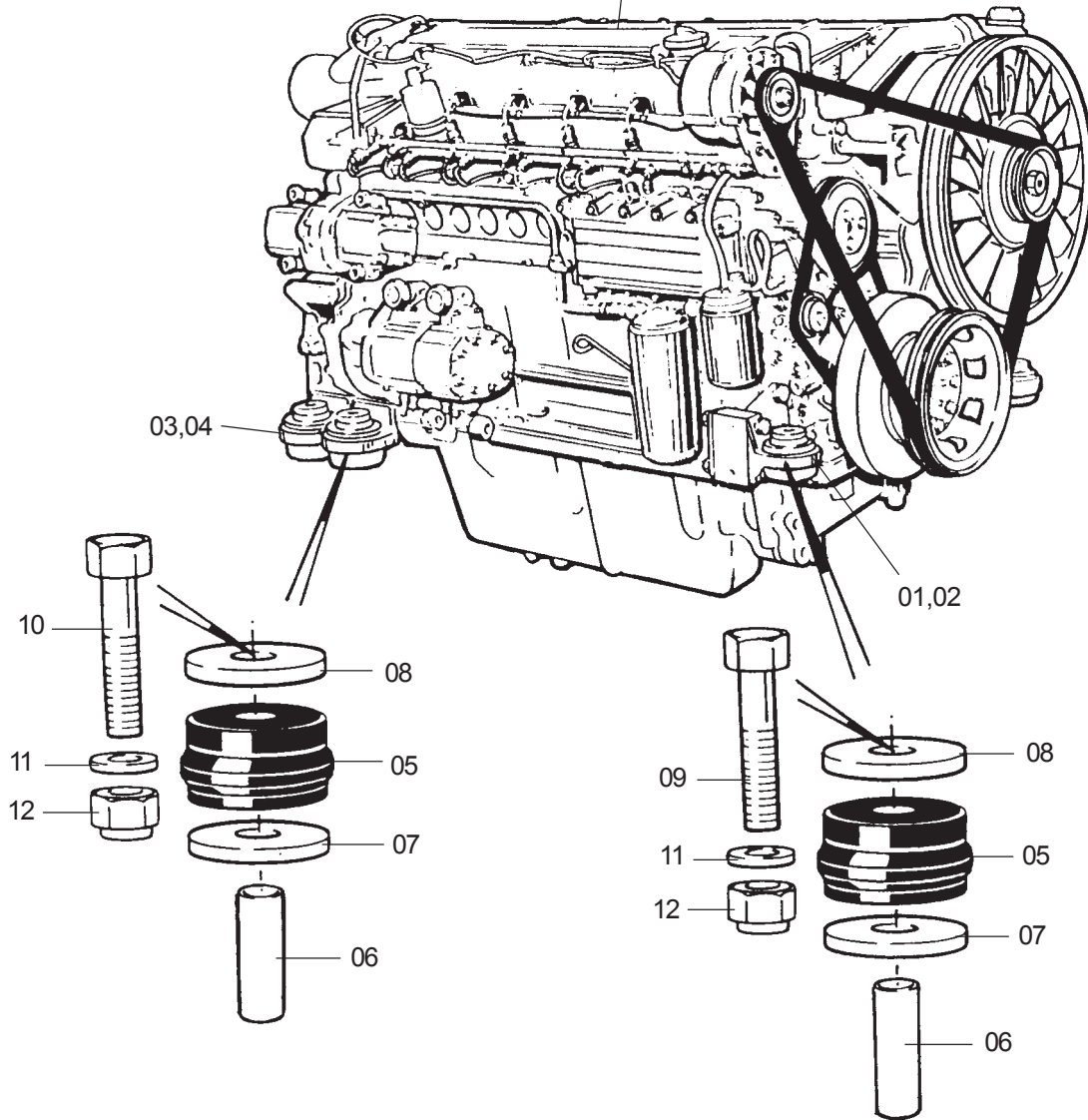
DATE:  
REV:



P I  
2300 00



Refer to  
Page 043



DATE:  
REV:

**BOART LONGYEAR  
AARDVARK 4.2 LOAD HAUL DUMPER  
ENGINE MOUNTING ASSEMBLY -  
BF4M1013 WATER COOLED**

Pg 047

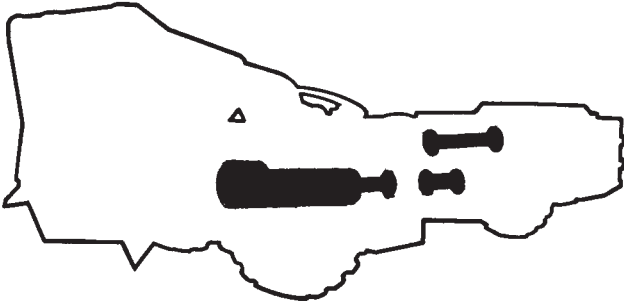
Pos	Item	Comm. No.	See Page	Qty	Part No.	Description	Dwg. No.
P	I						
2300	00			1		<b>ENGINE MOUNTING ASSEMBLY - BF4M1013 WATER COOLED</b>	
	01			1		BRACKET, Mounting - Front RH	
	02			1		BRACKET, Mounting - Front LH	
	03			1		BRACKET, Mounting - Rear RH	
	04			1		BRACKET, Mounting - Rear LH	
	05			6	GH-999446	MOUNTING, Flexible	
	06			6	GH-999447	SLEEVE, Engine Mounting	
	07			6	GH-86865000	WASHER	
	08			6	GH-86864000	WASHER	
	09			2	GH-20800000	BOLT, Hex Hd	
	10			4	GH-20801000	BOLT, Hex Hd	
	11			6	GH-25156000	WASHER, Flat	
	12			6	GH-24601000	NUT, Hex Nyloc	



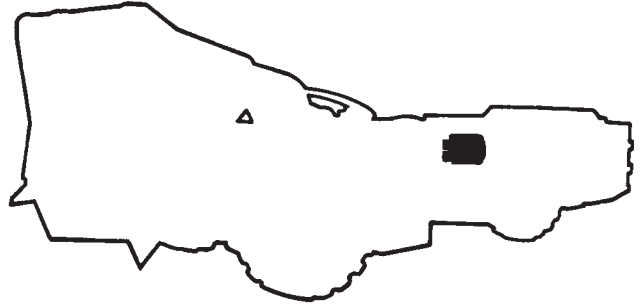
**PAGES 048 TO 060 LEFT BLANK  
FOR FUTURE USE**

BOART LONGYEAR  
AARDVARK 4.2 LOAD HAUL DUMPER  
DRIVE TRAIN GROUP

DATE:  
REV:



P I  
3100 00



P I  
3200 00



P I  
3400 00



P I  
3600 00



P I  
3700 00

DATE:  
REV:

**BOART LONGYEAR  
AARDVARK 4.2 LOAD HAUL DUMPER  
DRIVE TRAIN GROUP**

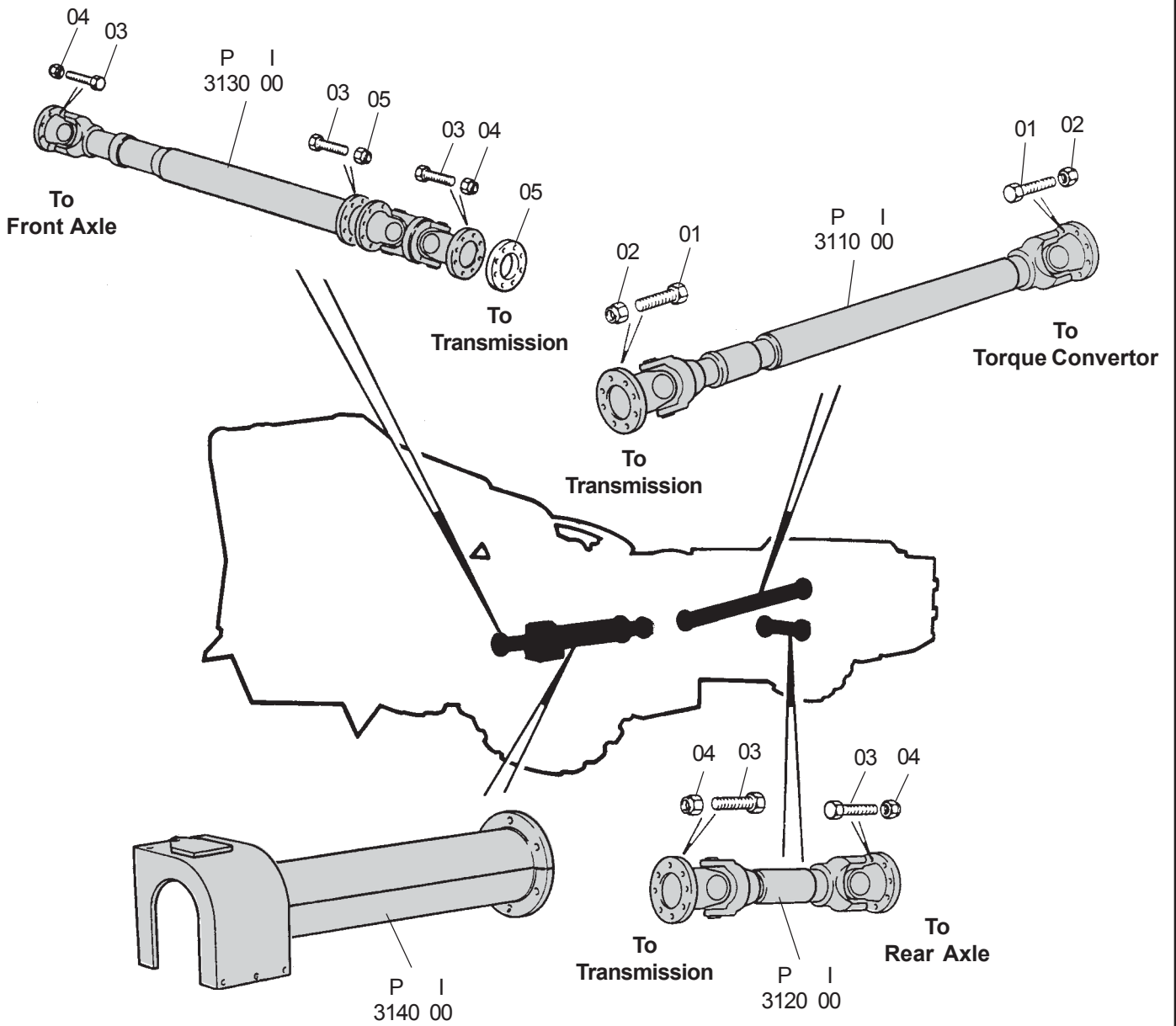
Pg 061

Pos	Item	Comm. No.	See Page	Qty	Part No.	Description	Dwg. No.
P	I						
3000	00			1		DRIVE TRAIN GROUP	
3100	00		062	1		DRIVE LINE ASSEMBLY	
3200	00		068	1		TORQUE CONVERTOR FINAL ASSEMBLY	
3400	00		079	1		TRANSMISSION FINAL ASSEMBLY	
3600	00		091	1		AXLE ASSEMBLY	
3700	00		098	4	UV-84800017	WHEEL ASSEMBLY	

**BOART LONGYEAR  
AARDVARK 4.2 LOAD HAUL DUMPER  
DRIVE LINE ASSEMBLY**

DATE:  
REV:

P I  
3100 00





DATE:  
REV:

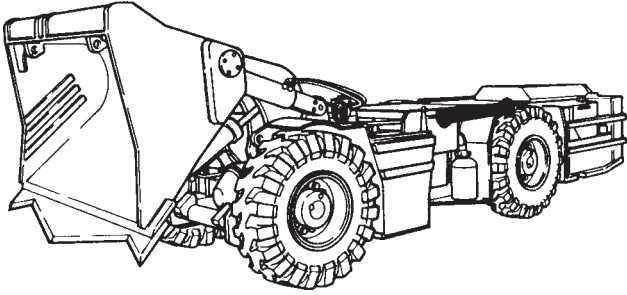
**BOART LONGYEAR  
AARDVARK 4.2 LOAD HAUL DUMPER  
DRIVE LINE ASSEMBLY**

Pg 062

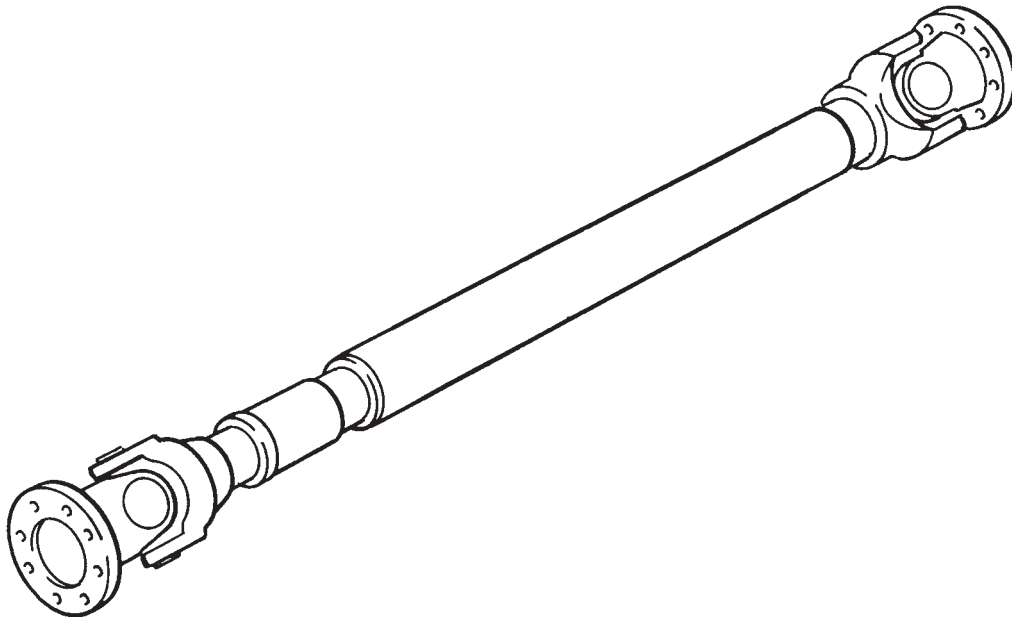
Pos	Item	Comm. No.	See Page	Qty	Part No.	Description	Dwg. No.
P	I						
3100	00			1		<b>DRIVE LINE ASSEMBLY</b>	
	01			16	GH-20590000	SCREW, Hex Hd	
	02			16	GH-24600000	NUT, Hex Nyloc	
	03			32	GH-20591000	SCREW, Hex Hd	
	04			24	GH-24601000	NUT, Hex Nyloc	
	05			8	GH-20838000	NUT, Hex Nyloc	
	06			1	B8056	SPACER	
3110	00		063	1	GH-K09803	<b>DRIVE SHAFT ASSEMBLY - TORQUE CONVERTOR TO TRANSMISSION (F6L912W AIR COOLED ENGINE)</b>	
3110	00		064	1	GH-K09803WC	<b>DRIVE SHAFT ASSEMBLY - TORQUE CONVERTOR TO TRANSMISSION (BF4M1013 WATER COOLED ENGINE)</b>	
3120	00		065	1	GH-K09804	<b>DRIVE SHAFT ASSEMBLY - TRANSMISSION TO REAR AXLE</b>	
3130	00		066	1	GH-K09805	<b>DRIVE SHAFT ASSEMBLY - TRANSMISSION TO FRONT AXLE</b>	
3140	00		067	1	GH-9090200901	<b>DRIVE SHAFT PROTECTION COVER ASSEMBLY</b>	

**BOART LONGYEAR  
AARDVARK 4.2 LOAD HAUL DUMPER  
DRIVE SHAFT ASSEMBLY - TORQUE CONVERTOR TO  
TRANSMISSION (F6L912W AIR COOLED ENGINE)**

DATE:  
REV:



P I  
3110 00



DATE:  
REV:

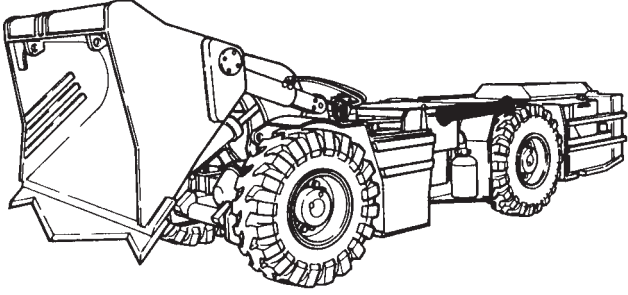
**BOART LONGYEAR  
AARDVARK 4.2 LOAD HAUL DUMPER  
DRIVE SHAFT ASSEMBLY - TORQUE CONVERTOR TO  
TRANSMISSION (F6L912W AIR COOLED ENGINE)**

Pg 063

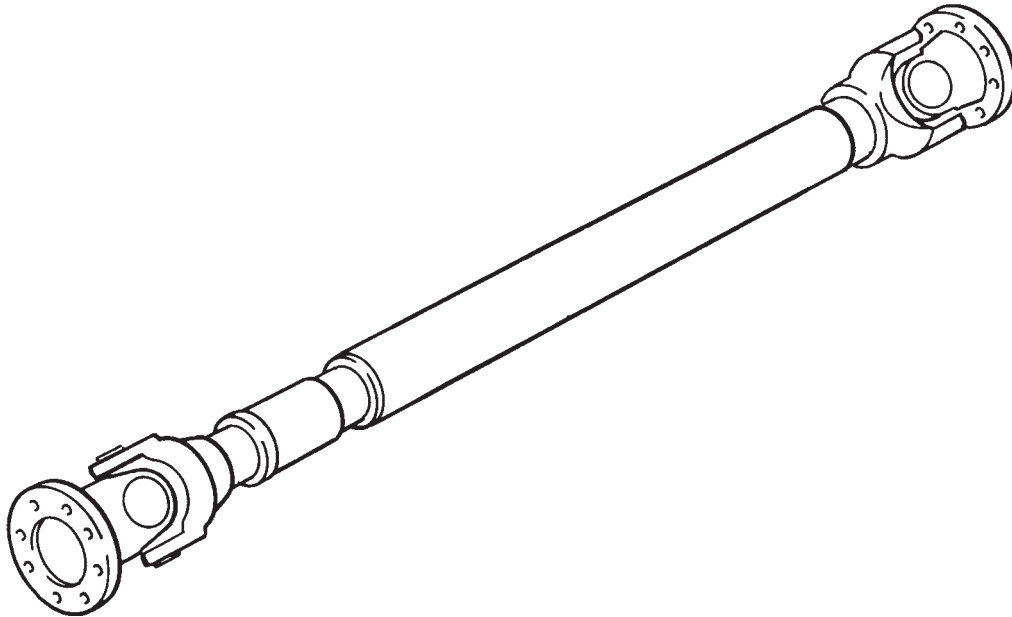
Pos	Item	Comm. No.	See Page	Qty	Part No.	Description	Dwg. No.
3110	00			1	GH-K09803	<b>DRIVE SHAFT ASSEMBLY - TORQUE CONVERTOR TO TRANSMISSION (F6L912W AIR COOLED ENGINE)</b>  <b>Note:</b> Supplied as a unit	

**BOART LONGYEAR  
AARDVARK 4.2 LOAD HAUL DUMPER  
DRIVE SHAFT ASSEMBLY - TORQUE CONVERTOR TO  
TRANSMISSION (BF4M1013 WATER COOLED ENGINE)**

DATE:  
REV:



P I  
3110 00



DATE:  
REV:

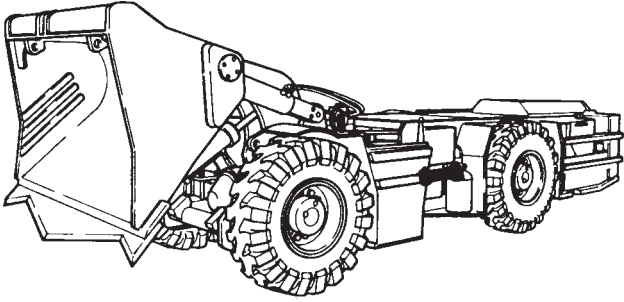
**BOART LONGYEAR  
AARDVARK 4.2 LOAD HAUL DUMPER  
DRIVE SHAFT ASSEMBLY - TORQUE CONVERTOR TO  
TRANSMISSION (BF4M1013 WATER COOLED ENGINE)**

Pg 064

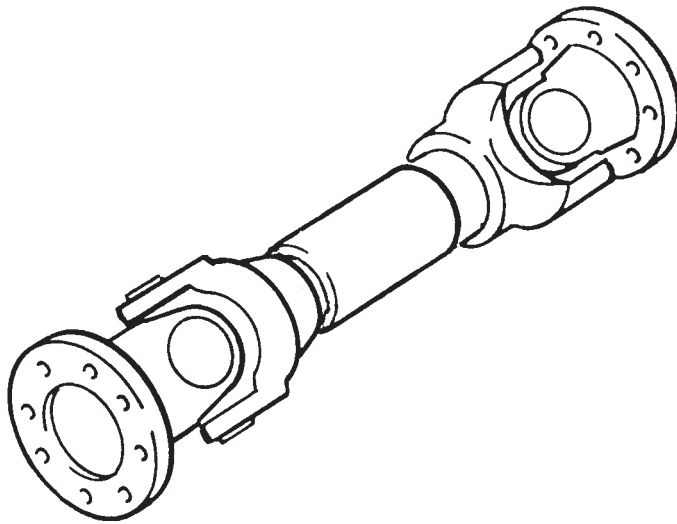
Pos Item P I	Comm. No.	See Page	Qty	Part No.	Description	Dwg. No.
3110 00			1	GH-K09803WC	<p>DRIVE SHAFT ASSEMBLY - TORQUE CONVERTOR TO TRANSMISSION (BF4M1013 WATER COOLED ENGINE)</p> <p>Note: Supplied as a unit</p>	

**BOART LONGYEAR  
AARDVARK 4.2 LOAD HAUL DUMPER  
DRIVE SHAFT ASSEMBLY -  
TRANSMISSION TO REAR AXLE**

DATE:  
REV:



P I  
3120 00



DATE:  
REV:

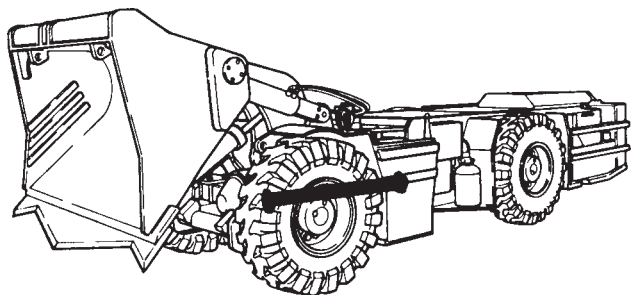
**BOART LONGYEAR  
AARDVARK 4.2 LOAD HAUL DUMPER  
DRIVE SHAFT ASSEMBLY -  
TRANSMISSION TO REAR AXLE**

Pg 065

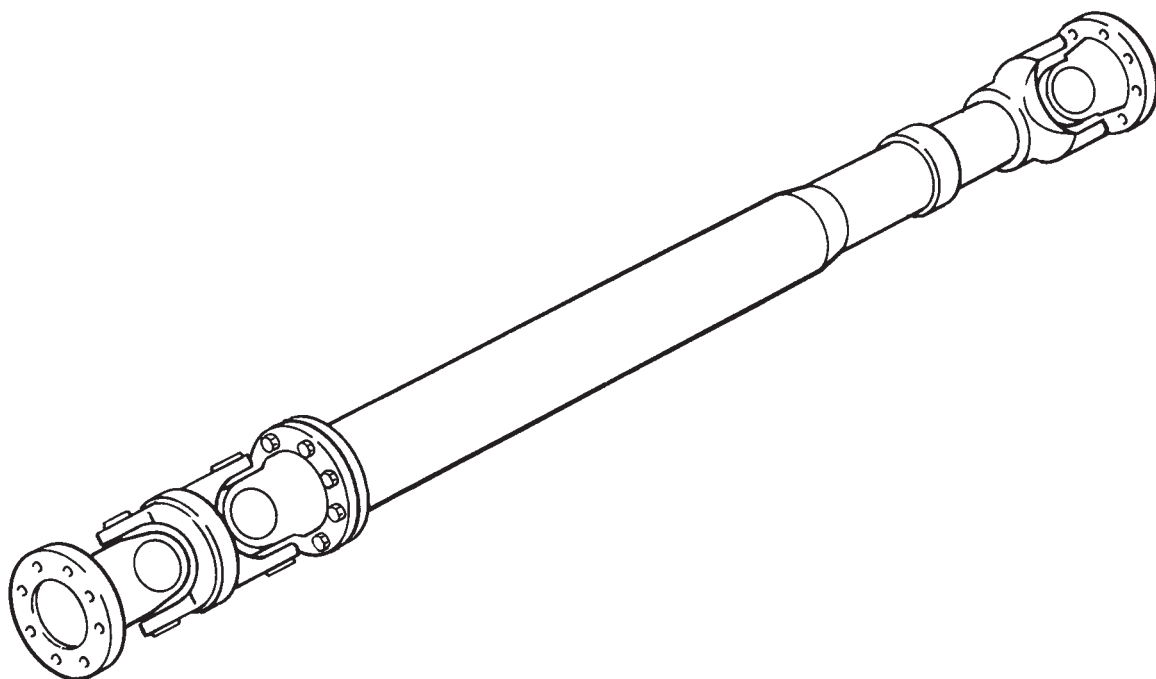
Pos	Item	Comm. No.	See Page	Qty	Part No.	Description	Dwg. No.
3120	00			1	GH-K09804	<b>DRIVE SHAFT ASSEMBLY - TRANSMISSION TO REAR AXLE</b>  <b>Note:</b> Supplied as a unit	

**BOART LONGYEAR  
AARDVARK 4.2 LOAD HAUL DUMPER  
DRIVE SHAFT ASSEMBLY -  
TRANSMISSION TO FRONT AXLE**

DATE:  
REV:



P I  
3130 00





DATE:  
REV:

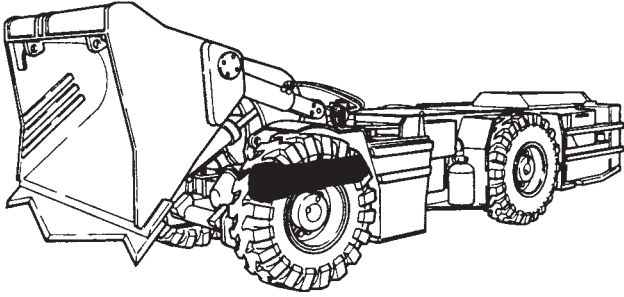
**BOART LONGYEAR  
AARDVARK 4.2 LOAD HAUL DUMPER  
DRIVE SHAFT ASSEMBLY -  
TRANSMISSION TO FRONT AXLE**

Pg 066

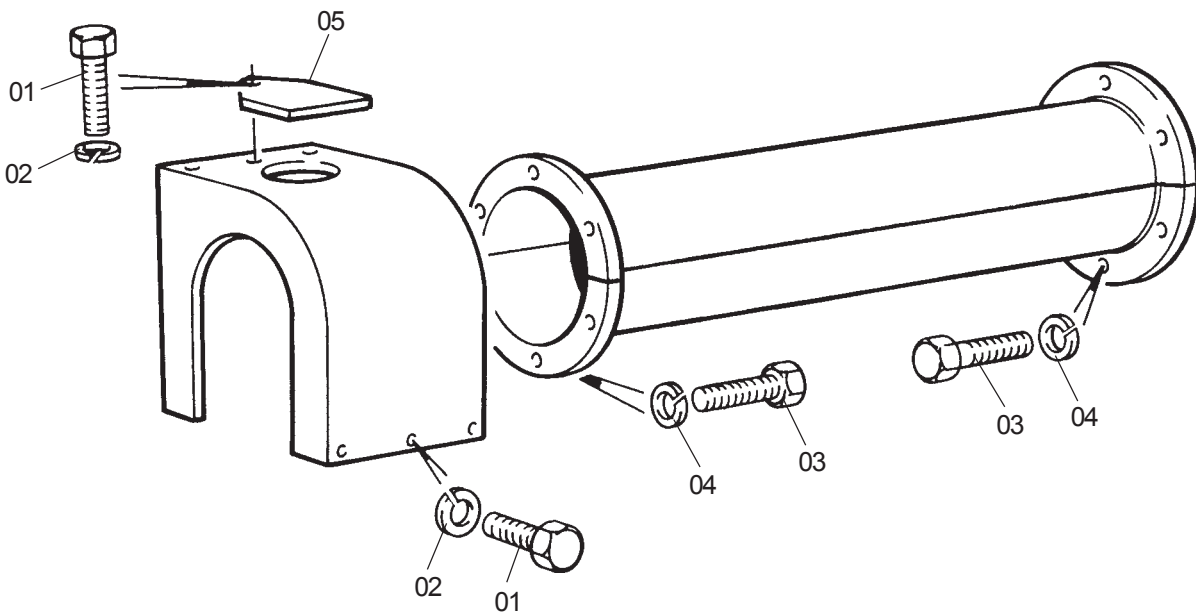
Pos	Item	Comm. No.	See Page	Qty	Part No.	Description	Dwg. No.
3130	00			1	GH-K09805	<b>DRIVE SHAFT ASSEMBLY - TRANSMISSION TO FRONT AXLE</b>  <b>Note:</b> Supplied as a unit	

BOART LONGYEAR  
AARDVARK 4.2 LOAD HAUL DUMPER  
DRIVE SHAFT PROTECTION COVER ASSEMBLY

DATE:  
REV:



P I  
3140 00



DATE:  
REV:

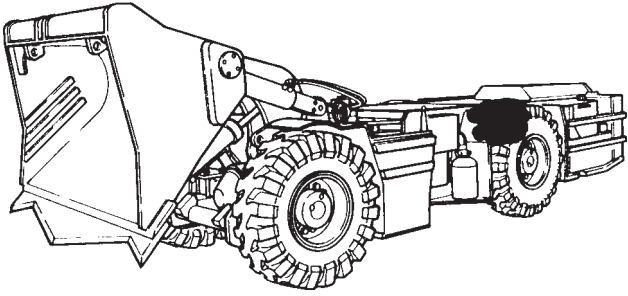
**BOART LONGYEAR  
AARDVARK 4.2 LOAD HAUL DUMPER  
DRIVE SHAFT PROTECTION COVER ASSEMBLY**

Pg 067

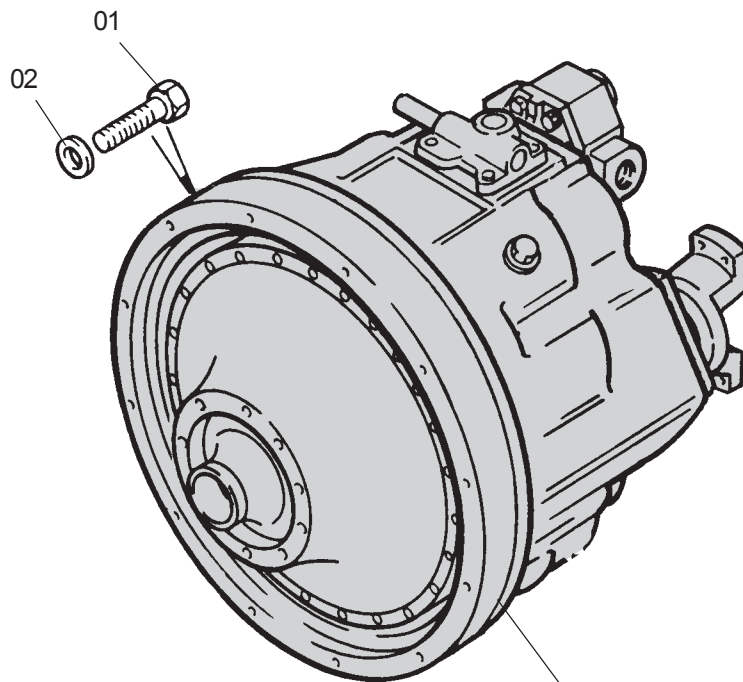
Pos	Item	Comm. No.	See Page	Qty	Part No.	Description	Dwg. No.
P	I						
3140	00			1	<b>GH-9090200901</b>	<b>DRIVE SHAFT PROTECTION COVER ASSEMBLY</b>	
	01			6	GH-20930000	SCREW, Hex Hd	
	02			6	GH-25408000	WASHER, Spring	
	03			11	GH-20340000	SCREW, Hex Hd	
	04			11	GH-25406000	WASHER, Spring	
	05			1	GH-9090400899	PROTECTION, Dust	

BOART LONGYEAR  
AARDVARK 4.2 LOAD HAUL DUMPER  
TORQUE CONVERTER FINAL ASSEMBLY

DATE:  
REV:



P I  
3200 00



P I  
3210 00

DATE:  
REV:

**BOART LONGYEAR  
AARDVARK 4.2 LOAD HAUL DUMPER  
TORQUE CONVERTOR FINAL ASSEMBLY**

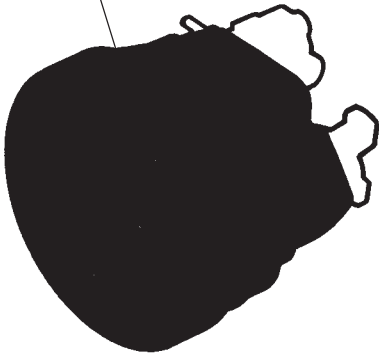
Pg 068

Pos	Item	Comm. No.	See Page	Qty	Part No.	Description	Dwg. No.
P	I						
3200	00			1		<b>TORQUE CONVERTOR FINAL ASSEMBLY</b>	
	01			12	105-M10-55	SCREW, Hex Hd, M10 x 55 lg	
	02			12	143-M10	WASHER, Spring, Dia. 10	
3210	00		069	1	<b>GH-59008279</b>	<b>TORQUE CONVERTOR ASSEMBLY</b>	

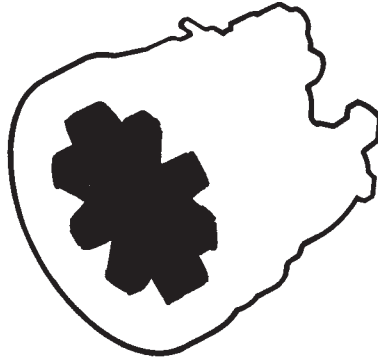
BOART LONGYEAR  
AARDVARK 4.2 LOAD HAUL DUMPER  
TORQUE CONVERTOR ASSEMBLY

DATE:  
REV:

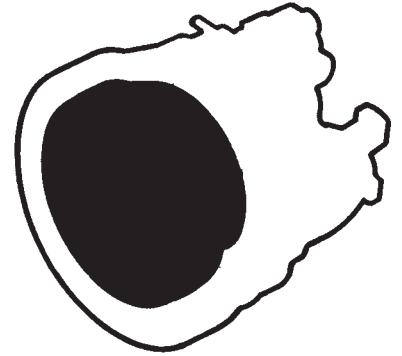
01,02



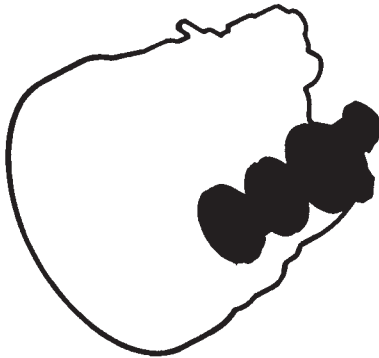
P I  
3220 00



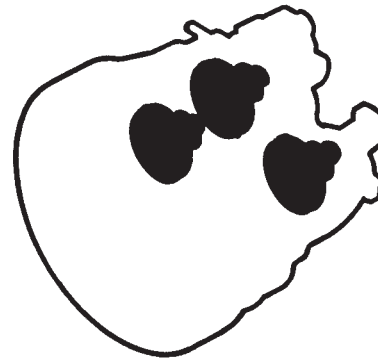
P I  
3230 00



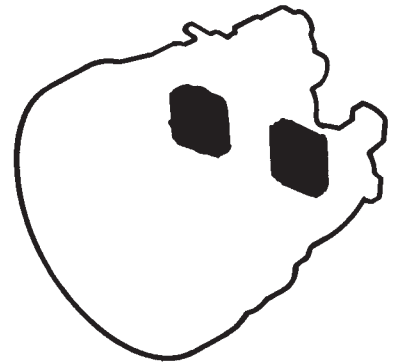
P I  
3240 00



P I  
3250 00



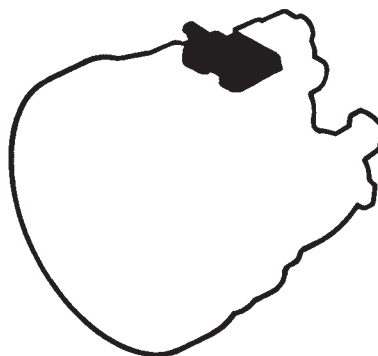
P I  
3260 00



P I  
3270 00



P I  
3280 00



P I  
3310 00

DATE:  
REV:

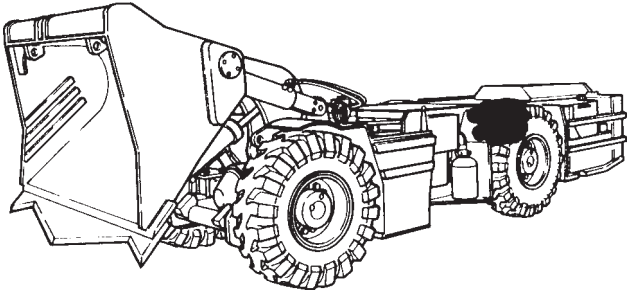
**BOART LONGYEAR  
AARDVARK 4.2 LOAD HAUL DUMPER  
TORQUE CONVERTOR ASSEMBLY**

Pg 069

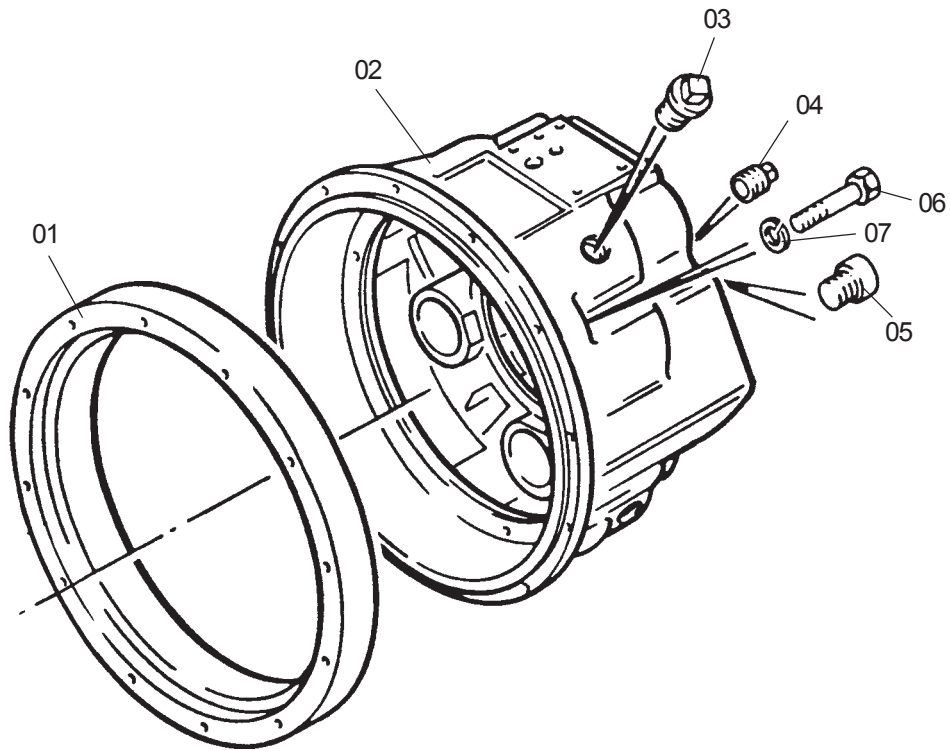
Pos	Item	Comm. No.	See Page	Qty	Part No.	Description	Dwg. No.
P	I						
3210	00 01 02			1	<b>GH-59008279</b> GH-86739000 GH-57820000	<b>TORQUE CONVERTOR ASSEMBLY</b> VALVE ASSEMBLY, Breather (Not Illustrated) SLEEVE (Not Illustrated)	
3220	00		070	1	<b>GH-59007751/3</b>	<b>TORQUE CONVERTOR HOUSING ASSEMBLY</b>	
3230	00		071	1	<b>GH-59007512/11</b>	<b>TORQUE CONVERTOR FLEXI PLATE ASSEMBLY</b>	
3240	00		072	1	<b>GH-59007751/4</b>	<b>TORQUE CONVERTOR FLYWHEEL ASSEMBLY</b>	
3250	00		073	1	<b>GH-59008279/2</b>	<b>TORQUE CONVERTOR OUTPUT SHAFT ASSEMBLY</b>	
3260	00		074	1	<b>GH-59008279/1</b>	<b>TORQUE CONVERTOR PUMP DRIVE ASSEMBLY</b>	
3270	00		075	1	<b>GH-59008279/3</b>	<b>TORQUE CONVERTOR PUMP ADAPTOR PLATE ASSEMBLY</b>	
3280	00		076	1	<b>GH-59007512/6</b>	<b>TORQUE CONVERTOR CHARGING PUMP MOUNTING ASSEMBLY</b>	
3310	00		078	1	<b>GH-57817000</b>	<b>TORQUE CONVERTOR PRESSURE REGULATING VALVE ASSEMBLY</b>	

BOART LONGYEAR  
AARDVARK 4.2 LOAD HAUL DUMPER  
TORQUE CONVERTOR HOUSING ASSEMBLY

DATE:  
REV:



P I  
3220 00





DATE:  
REV:

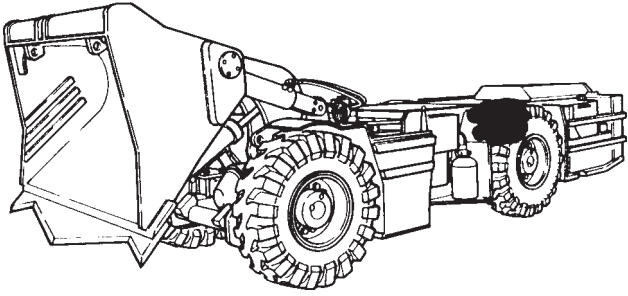
**BOART LONGYEAR  
AARDVARK 4.2 LOAD HAUL DUMPER  
TORQUE CONVERTOR HOUSING ASSEMBLY**

Pg 070

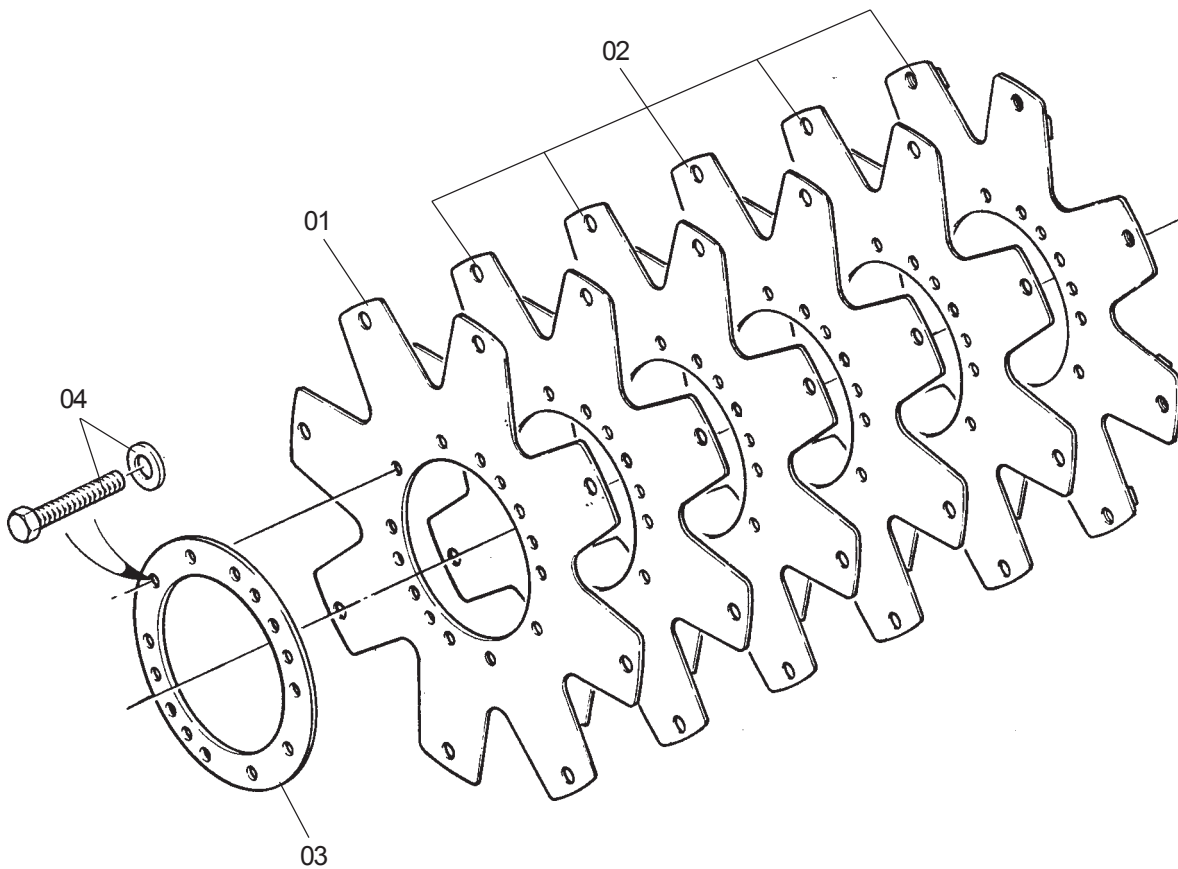
Pos	Item	Comm. No.	See Page	Qty	Part No.	Description	Dwg. No.
P	I						
3220	00			1	<b>GH-59007751/3</b>	<b>TORQUE CONVERTOR HOUSING ASSEMBLY</b>	
	01			1	GH-59004100	RING	
	02			1	GH-85150000	HOUSING	
	03			4	GH-86231000	PLUG	
	04			1	GH-85161006	PLUG	
	05			1	GH-85020043	PLUG	
	06			3	GH-85023008	SCREW	
	07			3	GH-77012000	WASHER, Spring	

BOART LONGYEAR  
AARDVARK 4.2 LOAD HAUL DUMPER  
TORQUE CONVERTOR FLEXI PLATE ASSEMBLY

DATE:  
REV:



P I  
3230 00



DATE:  
REV:

**BOART LONGYEAR  
AARDVARK 4.2 LOAD HAUL DUMPER  
TORQUE CONVERTOR FLEXI PLATE ASSEMBLY**

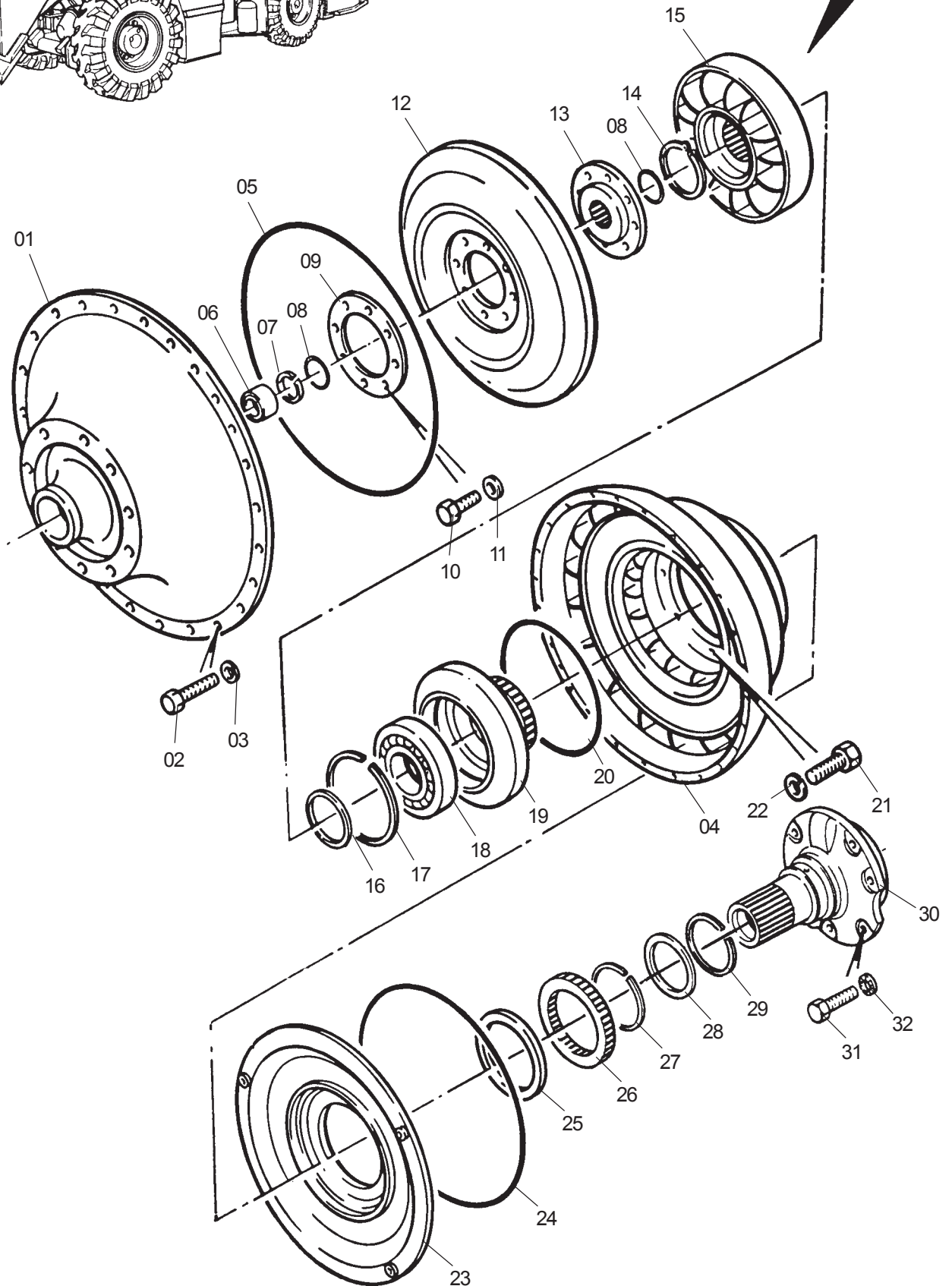
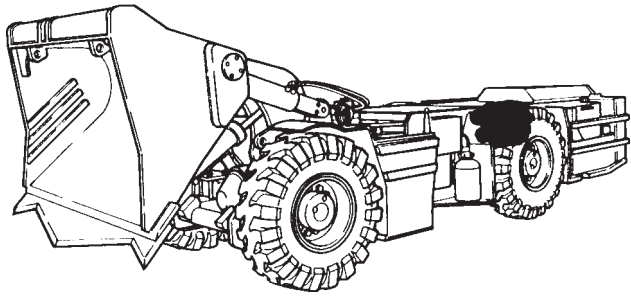
Pg 071

Pos	Item	Comm. No.	See Page	Qty	Part No.	Description	Dwg. No.
P	I						
3230	00			1	<b>GH-59007512/11</b>	<b>TORQUE CONVERTOR FLEXIPLATE ASSEMBLY</b>	
	01			1	GH-91032000	PLATE, Flexi (1 Off)	
	02			1	GH-999435	PLATE, Flexi (Set of 5)	
	03			1	GH-77715000	RING	
	04			10	GH-86505000	KIT, Attaching Parts	

BOART LONGYEAR  
AARDVARK 4.2 LOAD HAUL DUMPER  
TORQUE CONVERTER FLYWHEEL ASSEMBLY

DATE:  
REV:

P I  
3240 00



DATE:  
REV:

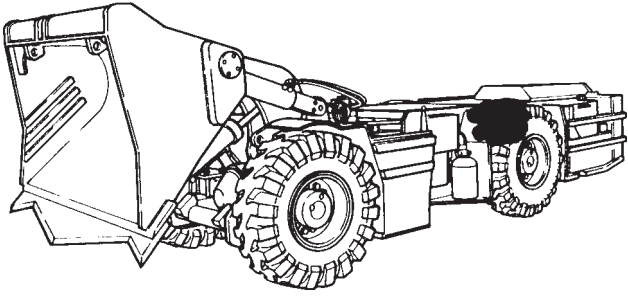
**BOART LONGYEAR  
AARDVARK 4.2 LOAD HAUL DUMPER  
TORQUE CONVERTOR FLYWHEEL ASSEMBLY**

Pg 072

Pos	Item	Comm. No.	See Page	Qty	Part No.	Description	Dwg. No.
P	I						
3240	00			1	<b>GH-59007751/4</b>	<b>TORQUE CONVERTOR FLYWHEEL ASSEMBLY</b>	
	01			1	GH-249552000	COVER	
	02			24	GH-86323000	SCREW, Hex Hd	
	03			24	GH-77012000	WASHER, Spring	
	04			1	GH-85023050	IMPELLER	
	05			1	GH-87249000	RING, Seal	
	06			1	GH-85023057	BEARING, Roller	
	07			1	GH-59004103	WASHER, Spring	
	08			2	GH-59004102	RING	
	09			1	GH-59003121	RING, Retainer	
	10			8	GH-85023064	SCREW, Hex Hd	
	11			8	GH-85023063	WASHER	
	12			1	GH-85023040	TURBINE	
	13			1	GH-85023041	HUB	
	14			1	GH-78847000	RING, Snap	
	15			1	GH-85023044	MEMBER, Reaction	
	16			1	GH-85023045	SPACER	
	17			1	GH-85023031	RING, Snap	
	18			1	GH-85023047	BEARING, Roller	
	19			1	GH-85023048	HUB	
	20			1	GH-86933000	O-RING	
	21			8	GH-85023052	SCREW, Hex Hd	
	22			8	GH-85023051	WASHER, Spring	
	23			1	GH-57540000	BAFFLE ASSEMBLY, Oil	
	24			1	GH-55973000	O-RING	
	25			1	GH-55959000	SEAL, Oil	
	26			1	GH-85023038	GEAR	
	27			1	GH-85020021	RING, Snap	
	28			1	GH-55967000	RING, Piston	
	29			1	GH-55968000	SPRING, Expander	
	30			1	GH-85023035	SUPPORT AND SLEEVE ASSEMBLY	
	31			6	GH-86598000	SCREW, Hex Hd	
	32			6	GH-85023039	WASHER, Spring	

**BOART LONGYEAR  
AARDVARK 4.2 LOAD HAUL DUMPER  
TORQUE CONVERTOR OUTPUT SHAFT ASSEMBLY**

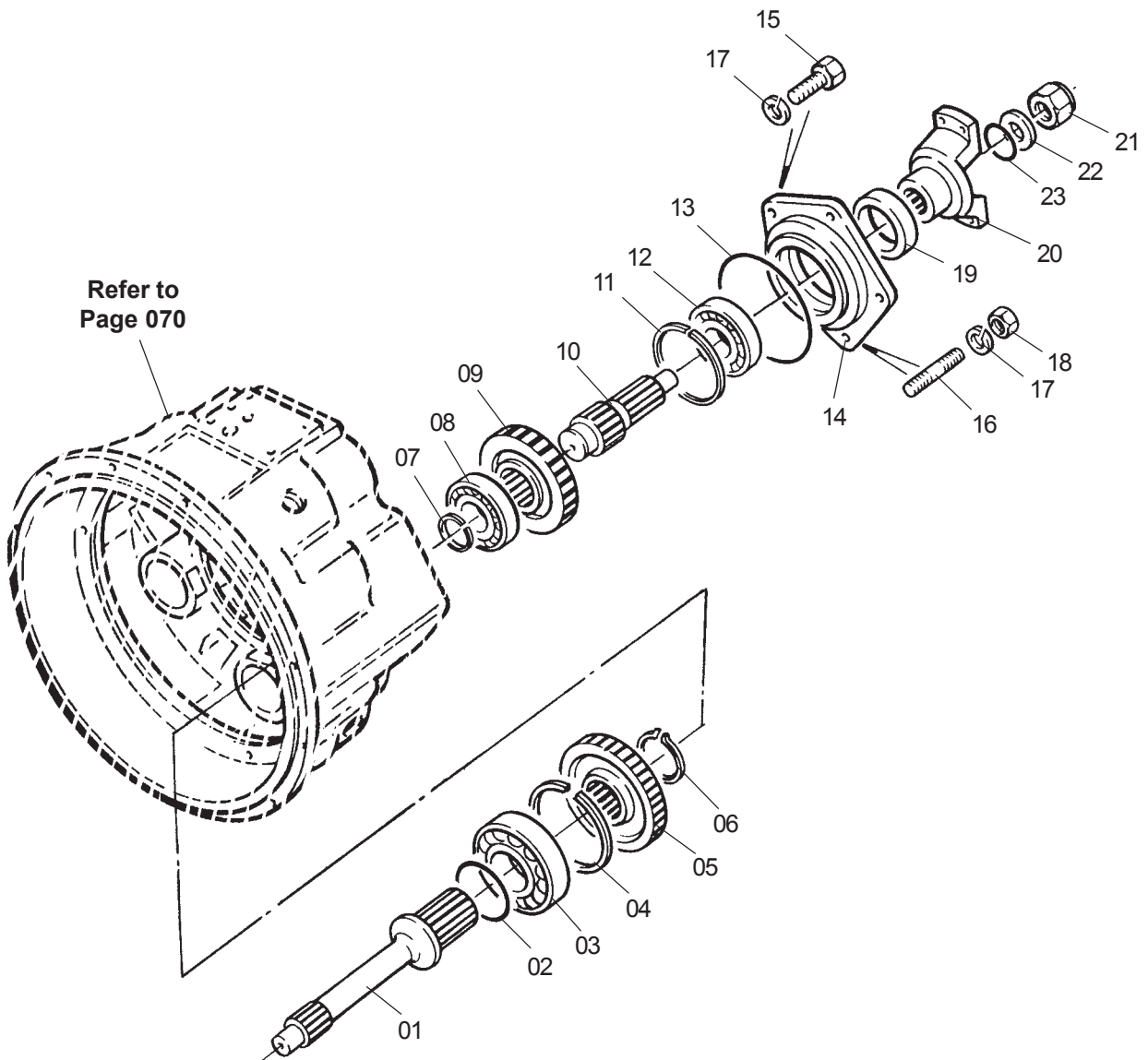
DATE:  
REV:



P I  
3250 00



Refer to  
Page 070



DATE:  
REV:

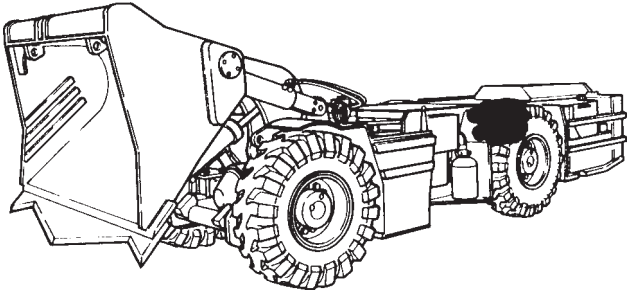
**BOART LONGYEAR  
AARDVARK 4.2 LOAD HAUL DUMPER  
TORQUE CONVERTOR OUTPUT SHAFT ASSEMBLY**

Pg 073

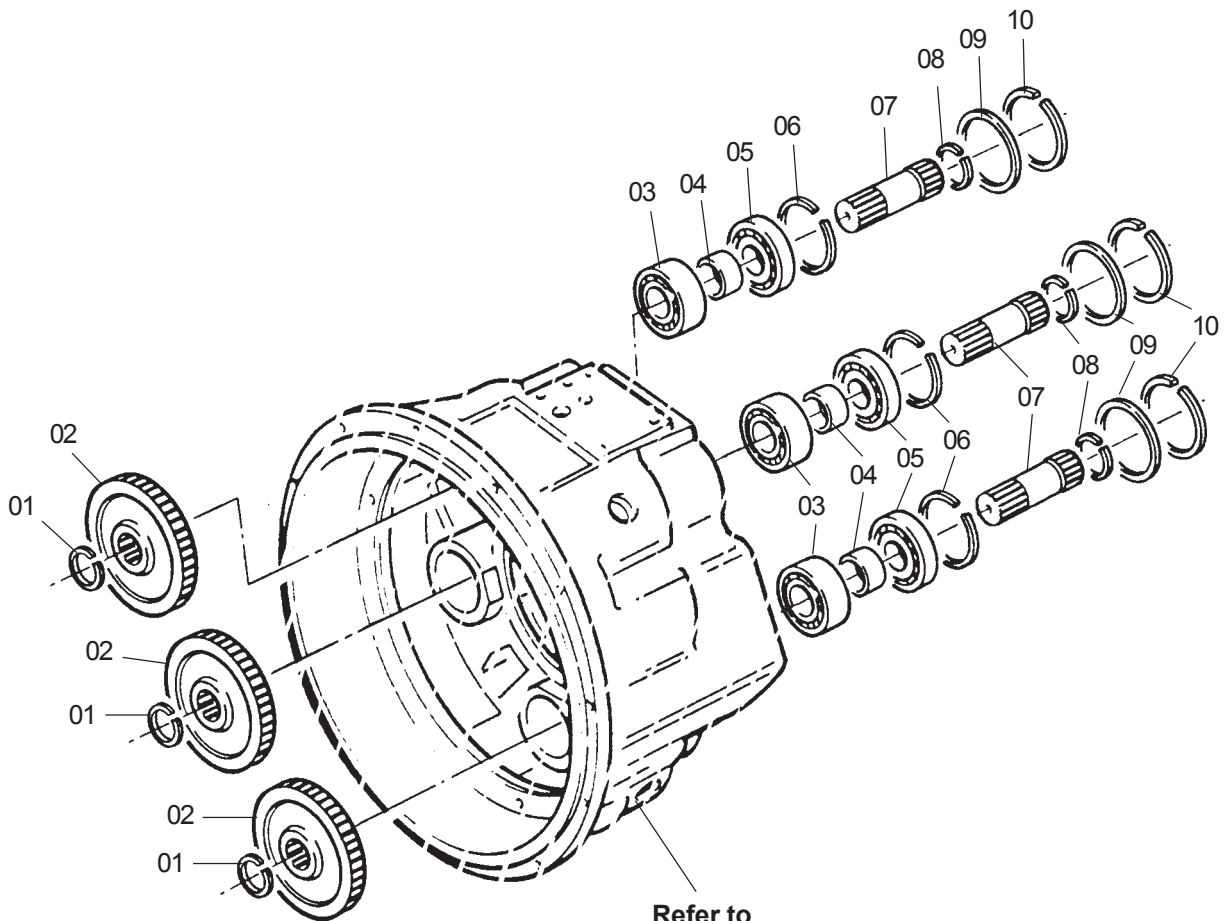
Pos	Item	Comm. No.	See Page	Qty	Part No.	Description	Dwg. No.
P	I						
3250	00			1	<b>GH-59008279/2</b>	<b>TORQUE CONVERTOR OUTPUT SHAFT ASSEMBLY</b>	
	01			1	GH-85023034	SHAFT	
	02			1	GH-59004098	RING, Piston	
	03			1	GH-85023032	BEARING, Roller	
	04			1	GH-85023031	RING, Snap	
	05			1	GH-59004698	GEAR, Shaft - Turbine	
	06			1	GH-85023029	RING, Snap	
	07			1	GH-85023028	RING, Snap	
	08			1	GH-85023027	BEARING, Roller	
	09			1	GH-55049000	WHEEL, Gear	
	10			1	GH-85023025	SHAFT	
	11			1	GH-86871000	RING, Snap	
	12			1	GH-85023024	BEARING, Roller	
	13			1	GH-55972000	O-RING	
	14			1	GH-85023021	HOUSING	
	15			3	GH-86618000	SCREW, Hex Hd	
	16			2	GH-85023023	BOLT, Stud	
	17			5	GH-86801000	WASHER, Spring	
	18			2	GH-85023020	NUT, Hex	
	19			1	GH-87025000	RING, Seal	
	20			1	GH-87469000	FLANGE, Cardan	
	21			1	GH-86650000	NUT, Hex Lock	
	22			1	GH-86751000	WASHER	
	23			1	GH-55970000	O-RING	

**BOART LONGYEAR  
AARDVARK 4.2 LOAD HAUL DUMPER  
TORQUE CONVERTOR PUMP DRIVE ASSEMBLY**

DATE:  
REV:



P I  
3260 00



Refer to  
Page 070



DATE:  
REV:

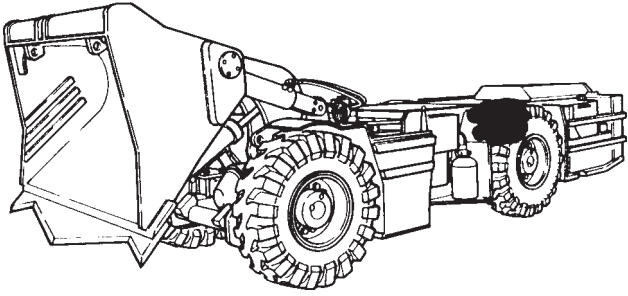
**BOART LONGYEAR  
AARDVARK 4.2 LOAD HAUL DUMPER  
TORQUE CONVERTOR PUMP DRIVE ASSEMBLY**

Pg 074

Pos	Item	Comm. No.	See Page	Qty	Part No.	Description	Dwg. No.
P	I						
3260	00			1	<b>GH-59008279/1</b>	<b>TORQUE CONVERTOR PUMP DRIVE ASSEMBLY</b>	
	01			3	GH-59003124	RING, Snap	
	02			3	GH-85023005	WHEEL, Gear	
	03			3	GH-66435000	BEARING, Roller	
	04			3	GH-66436000	SLEEVE, Spacer	
	05			3	GH-85023011	BEARING, Roller	
	06			3	GH-85023012	RING, Snap	
	07			3	GH-85023013	SHAFT	
	08			3	GH-85020016	RING, Snap	
	09			3	GH-85023014	WASHER	
	10			3	GH-59003123	RING, Snap	

**BOART LONGYEAR  
AARDVARK 4.2 LOAD HAUL DUMPER  
TORQUE CONVERTOR PUMP ADAPTOR PLATE  
ASSEMBLY**

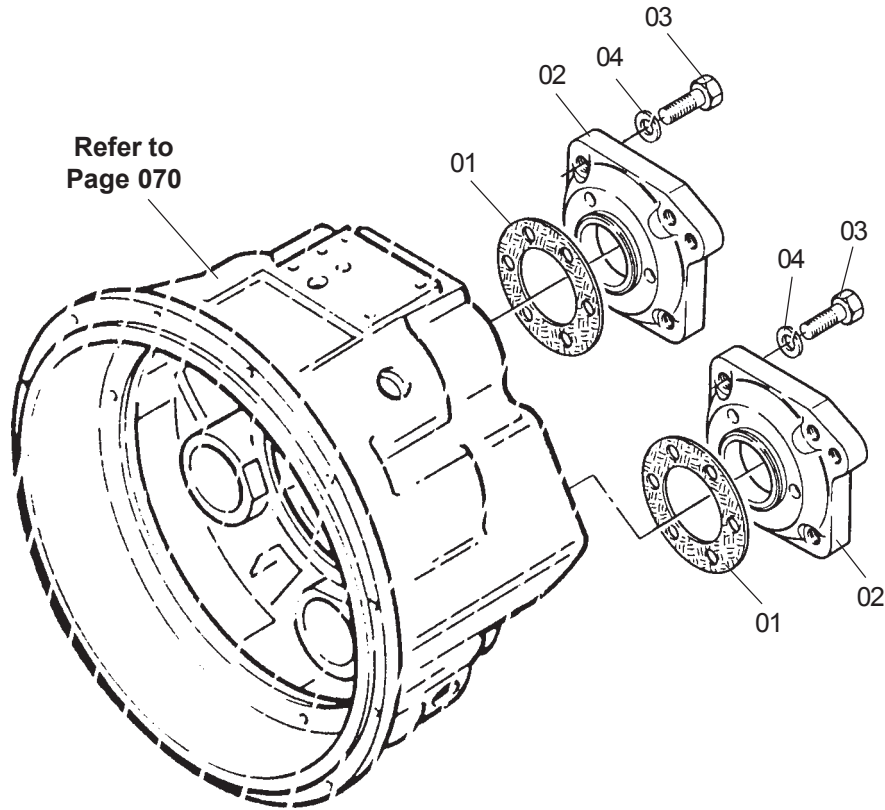
DATE:  
REV:



P I  
3270 00



Refer to  
Page 070



DATE:  
REV:

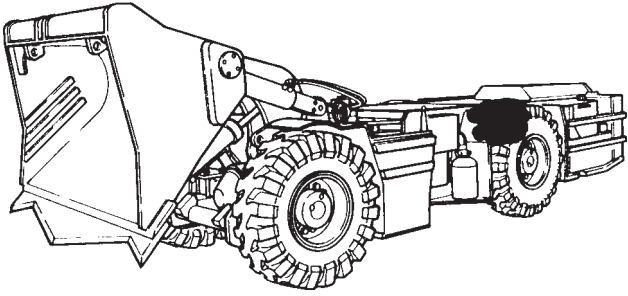
**BOART LONGYEAR  
AARDVARK 4.2 LOAD HAUL DUMPER  
TORQUE CONVERTOR PUMP ADAPTOR PLATE  
ASSEMBLY**

Pg 075

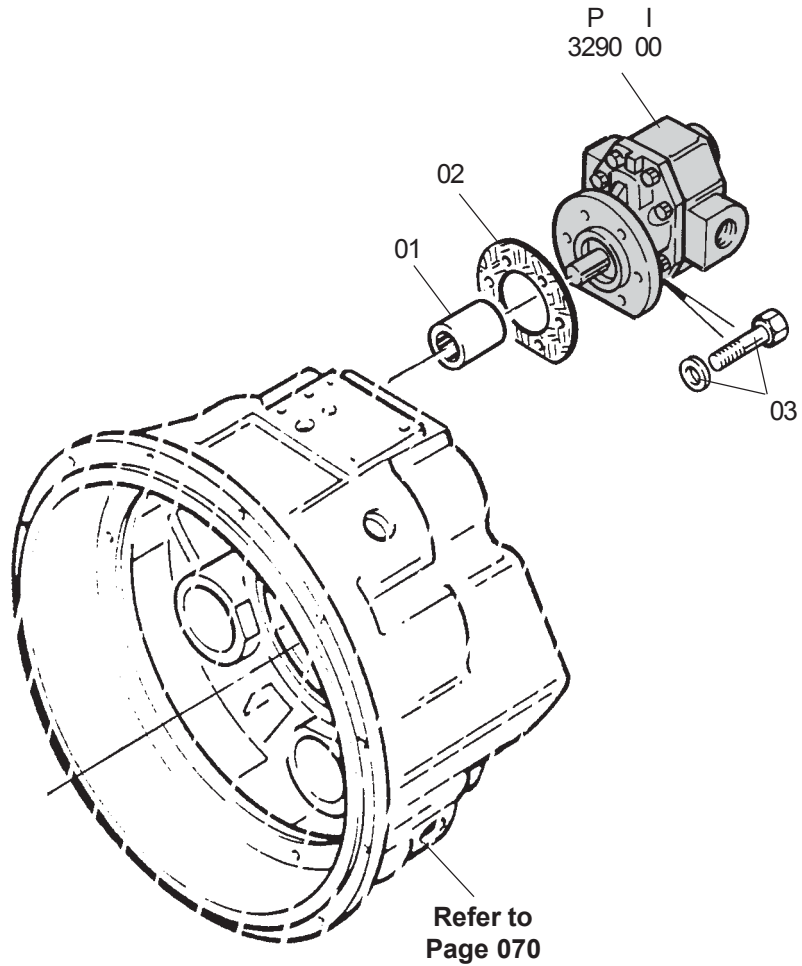
Pos	Item	Comm. No.	See Page	Qty	Part No.	Description	Dwg. No.
3270	00			1	<b>GH-59008279/3</b>	<b>TORQUE CONVERTOR PUMP ADAPTOR PLATE ASSEMBLY</b>	
	01			2	GH-66437000	GASKET	
	02			2	GH-66442000	FLANGE	
	03			6	GH-86502000	BOLT, Hex Hd, 1/2" UNC x 1 1/2" lg	
	04			6	GH-59004109	WASHER	

**BOART LONGYEAR  
AARDVARK 4.2 LOAD HAUL DUMPER  
TORQUE CONVERTER CHARGING PUMP MOUNTING  
ASSEMBLY**

DATE:  
REV:



P I  
3280 00



Refer to  
Page 070

DATE:  
REV:

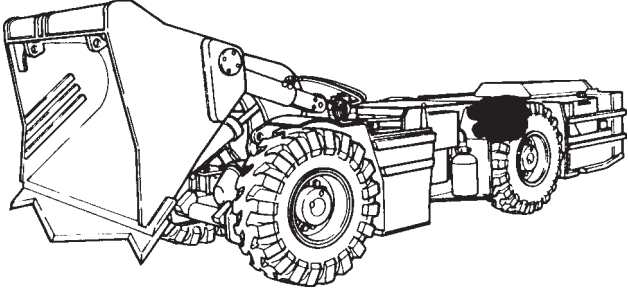
**BOART LONGYEAR  
AARDVARK 4.2 LOAD HAUL DUMPER  
TORQUE CONVERTOR CHARGING PUMP MOUNTING  
ASSEMBLY**

Pg 076

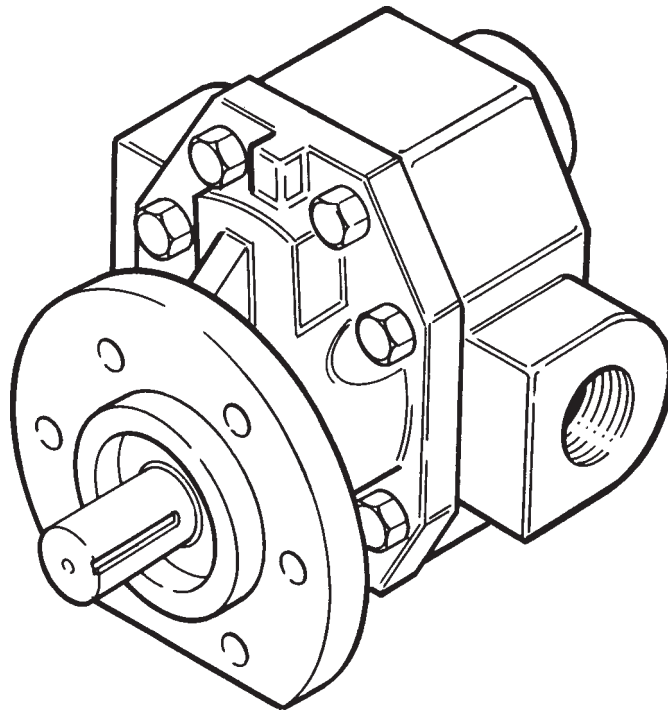
Pos	Item	Comm. No.	See Page	Qty	Part No.	Description	Dwg. No.
P	I						
3280	00			1	GH-59007512/6	<b>TORQUE CONVERTOR CHARGING PUMP MOUNTING ASSEMBLY</b>	
	01			1	GH-85023016	SLEEVE	
	02			1	GH-66437000	GASKET	
	03			3	GH-87225000	SCREW c/w Washer	
3290	00		077	1	GH-87080000	<b>TORQUE CONVERTOR CHARGING PUMP ASSEMBLY</b>	

BOART LONGYEAR  
AARDVARK 4.2 LOAD HAUL DUMPER  
TORQUE CONVERTOR CHARGING PUMP ASSEMBLY

DATE:  
REV:



P I  
3290 00



DATE:  
REV:

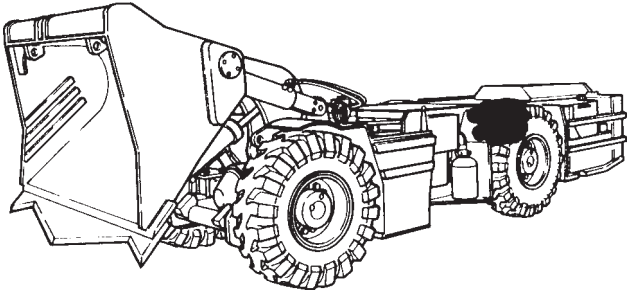
**BOART LONGYEAR  
AARDVARK 4.2 LOAD HAUL DUMPER  
TORQUE CONVERTOR CHARGING PUMP ASSEMBLY**

Pg 077

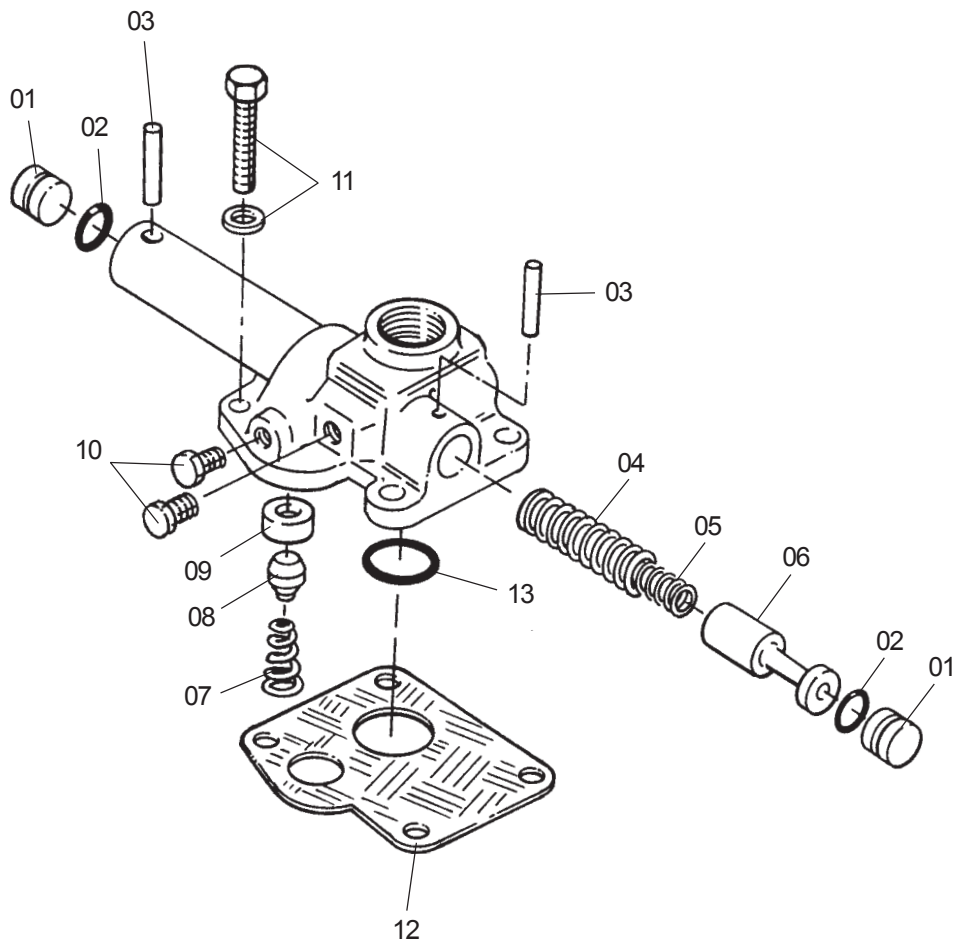
Pos Item P I	Comm. No.	See Page	Qty	Part No.	Description	Dwg. No.
3290 00			1	GH-87080000	TORQUE CONVERTOR CHARGING PUMP ASSEMBLY  Note: Supplied as a unit	

**BOART LONGYEAR  
AARDVARK 4.2 LOAD HAUL DUMPER  
TORQUE CONVERTOR PRESSURE REGULATING VALVE  
ASSEMBLY**

DATE:  
REV:



P I  
3310 00





DATE:  
REV:

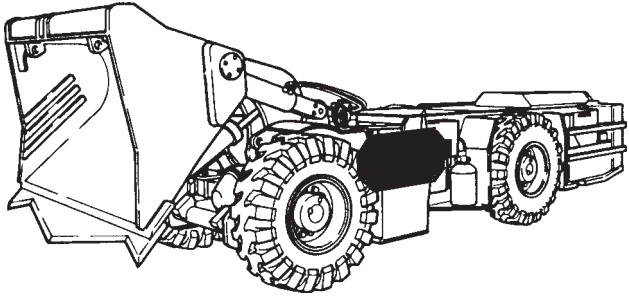
**BOART LONGYEAR  
AARDVARK 4.2 LOAD HAUL DUMPER  
TORQUE CONVERTOR PRESSURE REGULATING VALVE  
ASSEMBLY**

Pg 078

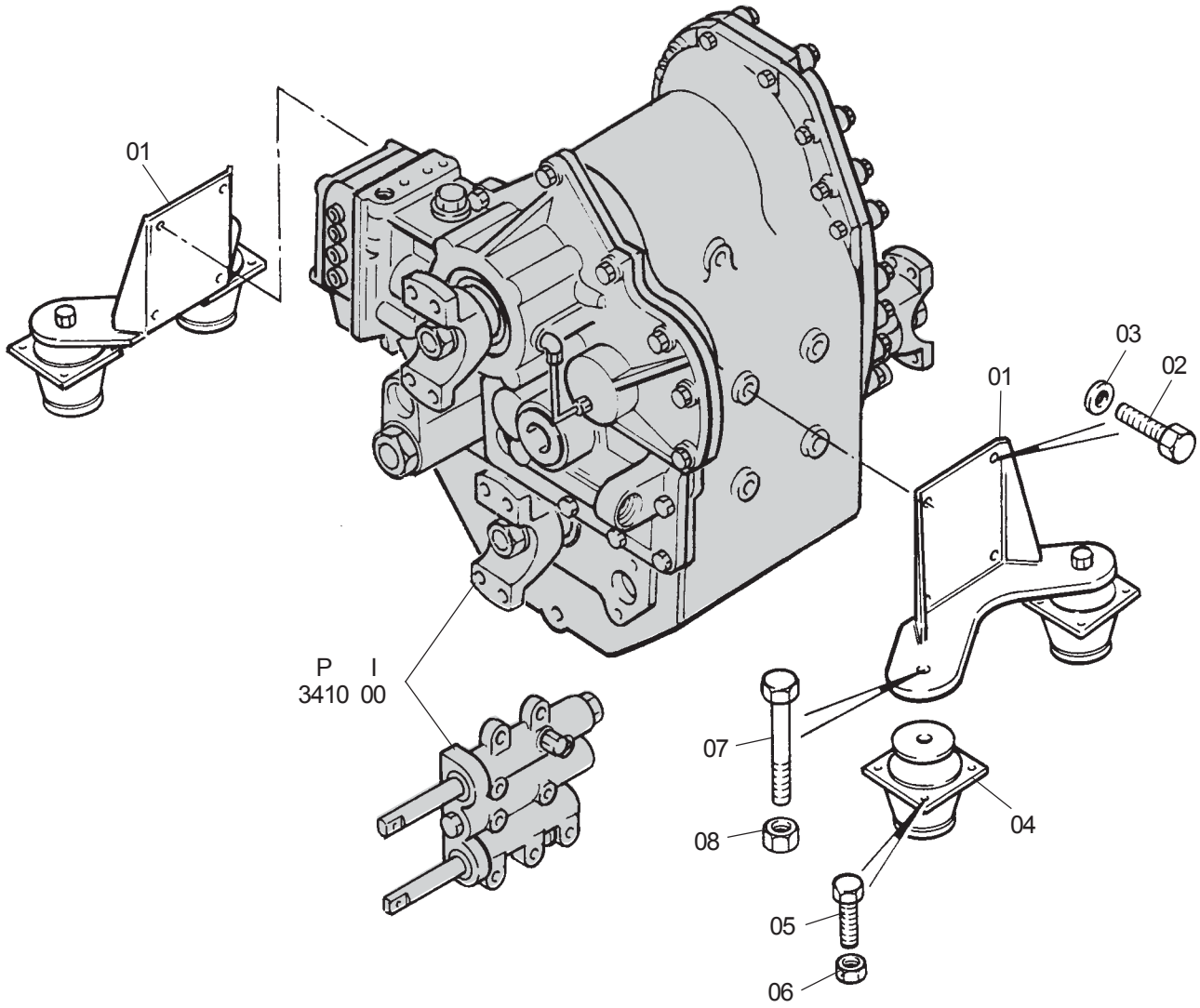
Pos Item P I	Comm. No.	See Page	Qty	Part No.	Description	Dwg. No.
3310 00			1	GH-57817000	<b>TORQUE CONVERTOR PRESSURE REGULATING VALVE ASSEMBLY</b>	
01			2	GH-85161018	PLUG, Stop	
02			2	GH-55969000	O-RING	
03			2	GH-85101000	PIN	
04			1	GH-57816000	SPRING	
05			1	GH-57815000	SPRING	
06			1	GH-85172000	PISTON	
07			1	GH-85109000	SPRING	
08			1	GH-85181000	PISTON	
09			1	GH-85177000	SEAT, Valve	
10			2	GH-85020043	PLUG	
11			1	GH-87225000	SCREW c/w Washer	
12			1	GH-85023003	GASKET	
13			1	GH-55971000	O-RING	

BOART LONGYEAR  
AARDVARK 4.2 LOAD HAUL DUMPER  
TRANSMISSION FINAL ASSEMBLY

DATE:  
REV:



P I  
3400 00



DATE:  
REV:

**BOART LONGYEAR  
AARDVARK 4.2 LOAD HAUL DUMPER  
TRANSMISSION FINAL ASSEMBLY**

Pg 079

Pos	Item	Comm. No.	See Page	Qty	Part No.	Description	Dwg. No.
P	I						
3400	00			1		<b>TRANSMISSION FINAL ASSEMBLY</b>	
	01			2	GH-9093036003	BRACKET, Mounting	
	02			8	GH-86867000	BOLT, Hex Hd	
	03			8	GH-25176000	WASHER, Flat	
	04			4	GH-66526000	MOUNTING, Flexible	
	05			16	GH-20333000	SCREW, Hex Hd	
	06			16	GH-24600000	NUT, Hex	
	07			4	GH-20799000	SCREW, Hex Hd	
	08			4	GH-24611000	NUT, Hex	
3410	00		080	1	GH-59007683	<b>TRANSMISSION ASSEMBLY</b>	

BOART LONGYEAR  
AARDVARK 4.2 LOAD HAUL DUMPER  
TRANSMISSION ASSEMBLY

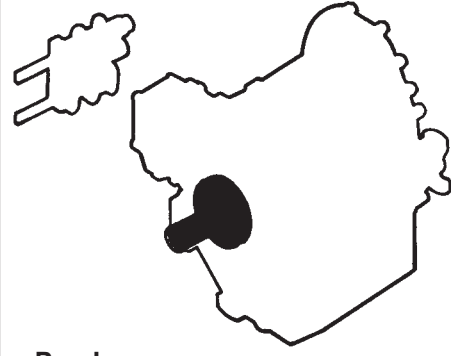
DATE:  
REV:



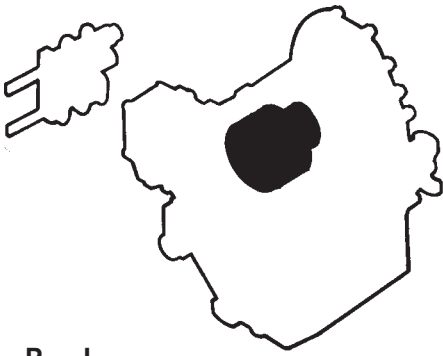
P I  
3420 00



P I  
3430 00



P I  
3440 00



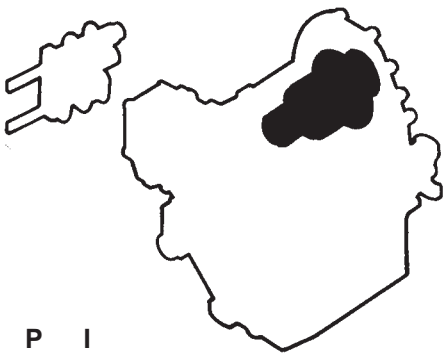
P I  
3450 00



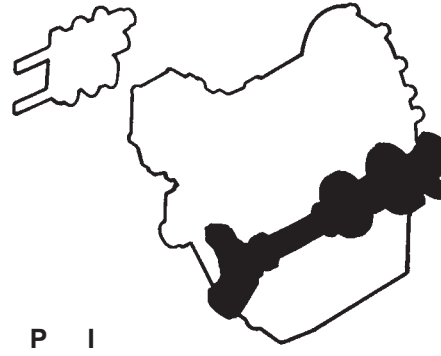
P I  
3460 00



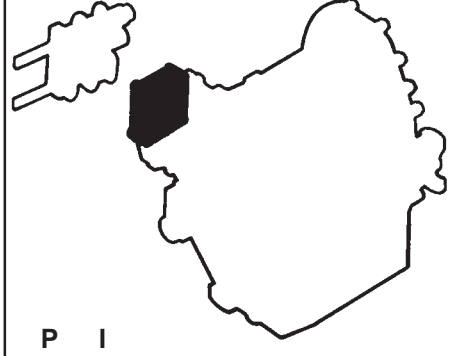
P I  
3470 00



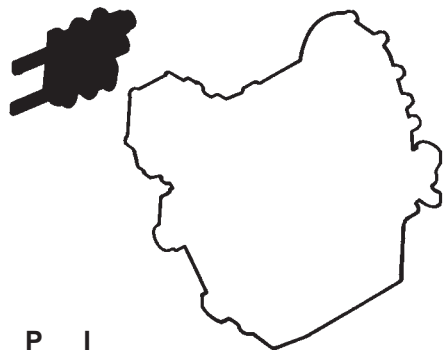
P I  
3480 00



P I  
3490 00



P I  
3510 00



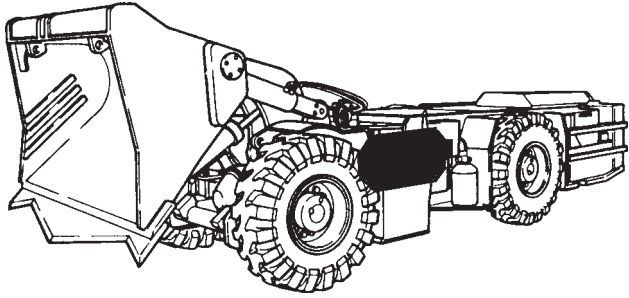
P I  
3520 00

DATE: REV:	<b>BOART LONGYEAR AARDVARK 4.2 LOAD HAUL DUMPER TRANSMISSION ASSEMBLY</b>	Pg 080
---------------	---	--------

Pos	Item	Comm. No.	See Page	Qty	Part No.	Description	Dwg. No.
P	I						
3410	00			1	GH-59007683	TRANSMISSION ASSEMBLY	
3420	00		081	1	GH-59007683/1	TRANSMISSION CASE AND COVER ASSEMBLY	
3430	00		082	1	GH-59007683/2	TRANSMISSION INPUT SHAFT AND COVER ASSEMBLY	
3440	00		083	1	GH-59007683/6	TRANSMISSION REVERSE IDLER GEAR ASSEMBLY	
3450	00		084	1	GH-59007683/5	TRANSMISSION FORWARD GEAR SHAFT ASSEMBLY	
3460	00		085	1	GH-59007683/4	TRANSMISSION LOW SPEED AND 1ST GEAR SHAFT ASSEMBLY	
3470	00		086	1	GH-59007683/3	TRANSMISSION REVERSE AND 2ND GEAR SHAFT ASSEMBLY	
3480	00		087	1	GH-59007683/7	TRANSMISSION 3RD GEAR SHAFT ASSEMBLY	
3490	00		088	1	GH-59007683/8	TRANSMISSION OUTPUT SHAFT ASSEMBLY	
3510	00		089	1	GH-90387000	TRANSMISSION MODULATOR VALVE ASSEMBLY	
3520	00		090	1	GH-59007683/9	TRANSMISSION CONTROL VALVE ASSEMBLY	

**BOART LONGYEAR  
AARDVARK 4.2 LOAD HAUL DUMPER  
TRANSMISSION CASE AND COVER ASSEMBLY**

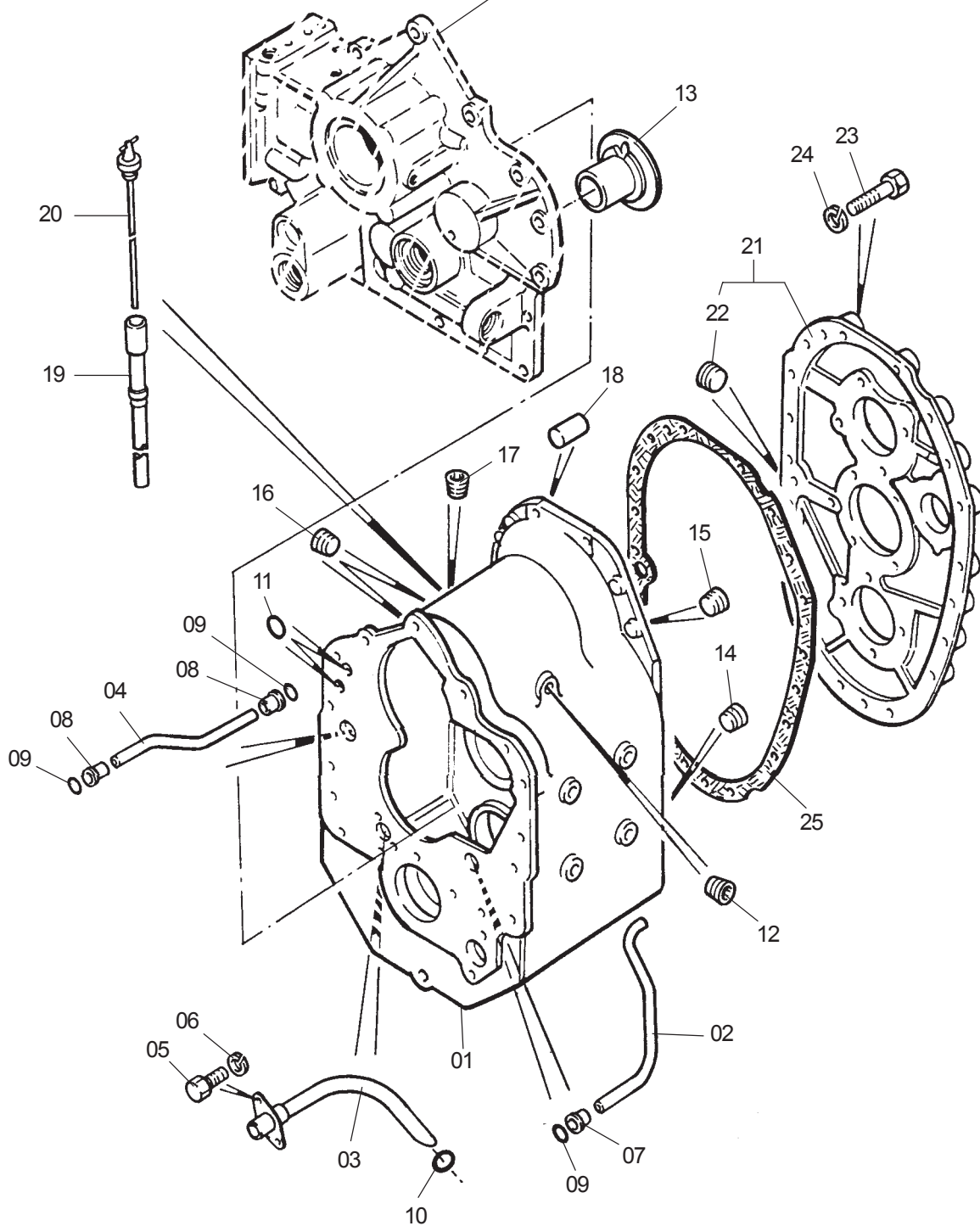
DATE:  
REV:



P I  
3420 00



Refer to  
Page 082



DATE:  
REV:

**BOART LONGYEAR  
AARDVARK 4.2 LOAD HAUL DUMPER  
TRANSMISSION CASE AND COVER ASSEMBLY**

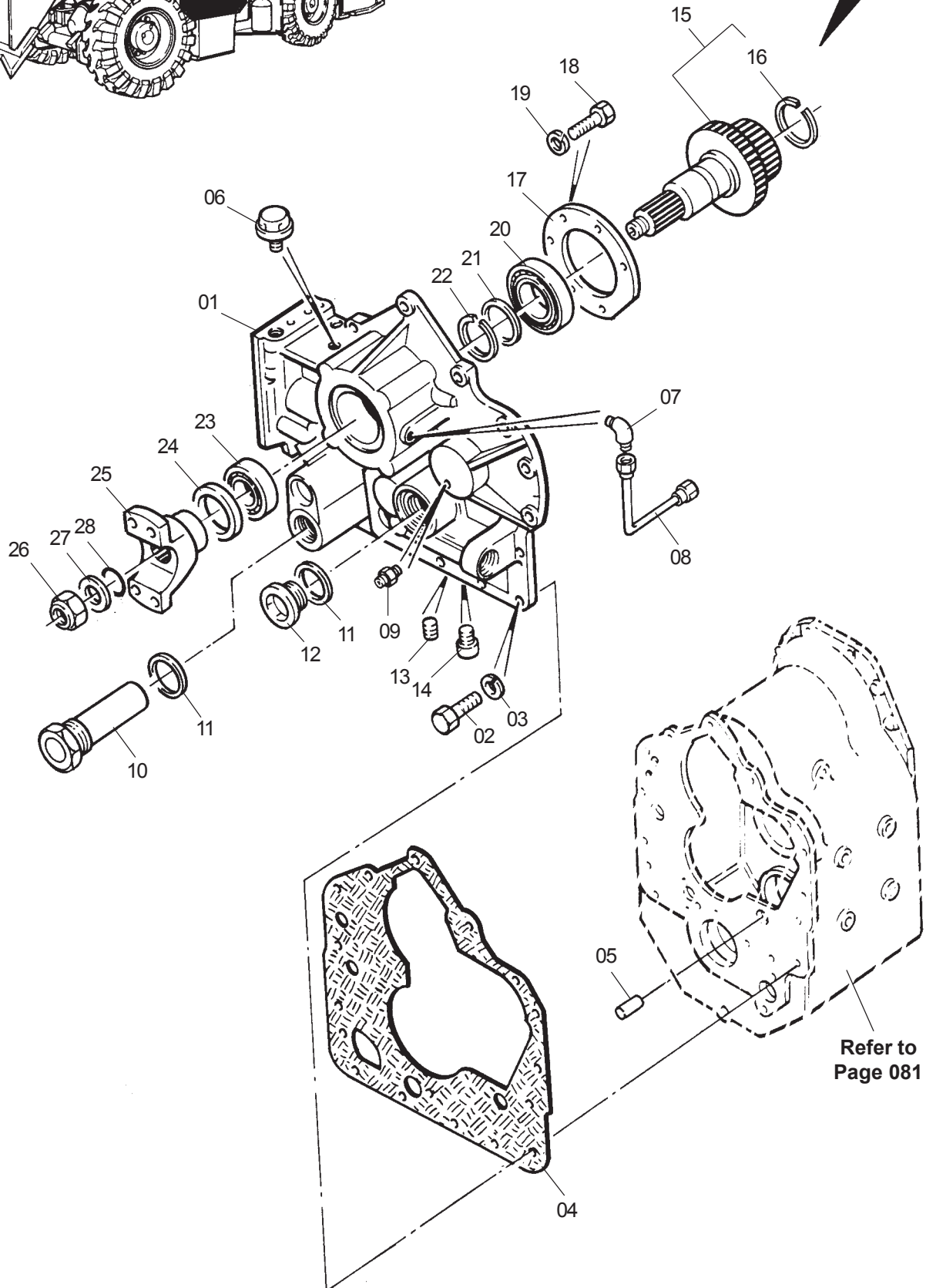
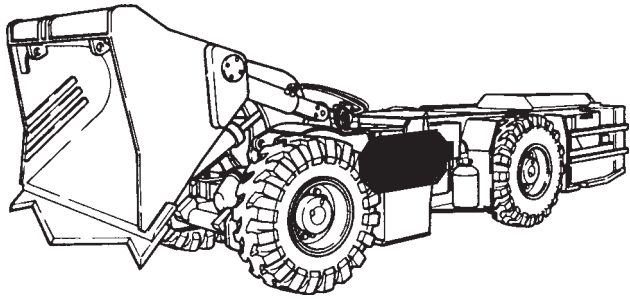
Pg 081

Pos	Item	Comm. No.	See Page	Qty	Part No.	Description	Dwg. No.
P	I						
3420	00			1	GH-59007683/1	<b>TRANSMISSION CASE AND COVER ASSEMBLY</b>	
	01			1	GH-59004166	CASE ASSEMBLY c/w Items 02 - 08	
	02			1	GH-78685000	TUBE	
	03			1	GH-78686000	TUBE	
	04			1	GH-57825000	TUBE	
	05			2	GH-86459000	BOLT, Hex Hd	
	06			2	GH-86812000	WASHER, Spring	
	07			1	GH-57832000	SLEEVE	
	08			2	GH-85030049	SLEEVE	
	09			3	GH-57842000	O-RING	
	10			1	GH-55971000	O-RING	
	11			2	GH-55969000	O-RING	
	12			1	GH-85021022	PLUG	
	13			1	GH-57823000	SLEEVE	
	14			2	GH-85108000	PLUG	
	15			1	GH-59004167	PLUG	
	16			2	GH-87801000	PLUG	
	17			1	GH-59004168	PLUG	
	18			2	GH-85020019	PIN	
	19			1	GH-78688000	TUBE	
	20			1	GH-78689000	STICK, Dip - Oil	
	21			1	GH-78683000	COVER ASSEMBLY c/w Item 22	
	22			1	GH-56619000	PLUG	
	23			20	GH-86238000	SCREW, Hex Hd	
	24			20	GH-86801000	WASHER, Spring	
	25			1	GH-78684000	GASKET	

**BOART LONGYEAR  
AARDVARK 4.2 LOAD HAUL DUMPER  
TRANSMISSION INPUT SHAFT AND COVER ASSEMBLY**

DATE:  
REV:

P I  
3430 00



Refer to  
Page 081



DATE:  
REV:

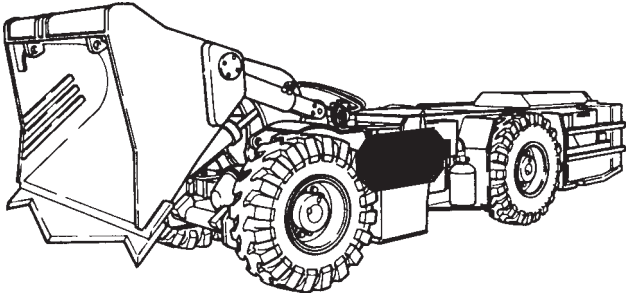
**BOART LONGYEAR  
AARDVARK 4.2 LOAD HAUL DUMPER  
TRANSMISSION INPUT SHAFT AND COVER ASSEMBLY**

Pg 082

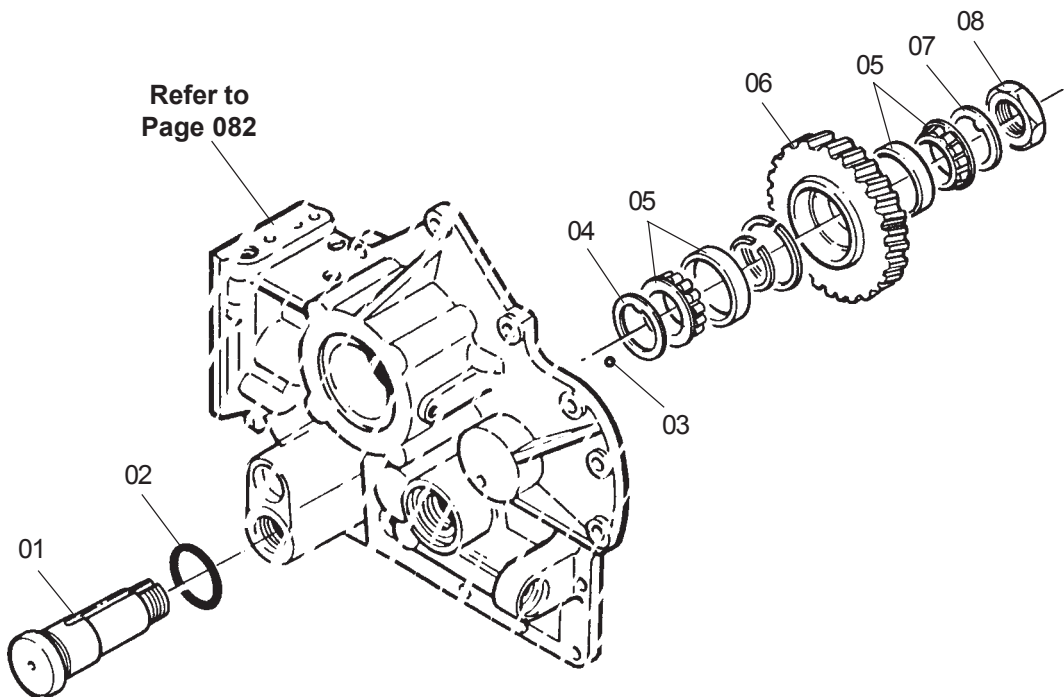
Pos	Item	Comm. No.	See Page	Qty	Part No.	Description	Dwg. No.
P	I						
3430	00			1	<b>GH-59007683/2</b>	<b>TRANSMISSION INPUT SHAFT AND COVER ASSEMBLY</b>	
	01			1	GH-78690000	COVER ASSEMBLY	
	02			16	GH-86618000	BOLT, Hex Hd	
	03			16	GH-86801000	WASHER, Spring	
	04			1	GH-86250000	GASKET	
	05			1	GH-86240000	PIN	
	06			1	GH-85021001	BLEEDER	
	07			1	GH-57848000	ADAPTOR, 90° Elbow, Male	
	08			1	GH-78281000	TUBE ASSEMBLY	
	09			1	GH-57850000	ADAPTOR, Connector, Male	
	10			1	GH-57851000	SCREEN, Suction	
	11			2	GH-87334000	GASKET	
	12			1	GH-85105000	PLUG	
	13			1	GH-56619000	PLUG	
	14			1	GH-77452000	PLUG	
	15			1	GH-57846000	SHAFT c/w Item 16	
	16			1	GH-57847000	RING, Snap	
	17			1	GH-57845000	PLATE	
	18			6	GH-86502000	BOLT, Hex Hd	
	19			6	GH-77012000	WASHER, Spring	
	20			1	GH-57844000	BEARING	
	21			1	GH-57843000	WASHER	
	22			1	GH-86319000	RING, Snap	
	23			1	GH-85023024	BEARING, Roller	
	24			1	GH-86250000	RING, Seal	
	25			1	GH-87469000	FLANGE, Cardan	
	26			1	GH-86650000	NUT, Hex Lock	
	27			1	GH-86751000	WASHER	
	28			1	GH-55970000	O-RING	

**BOART LONGYEAR  
AARDVARK 4.2 LOAD HAUL DUMPER  
TRANSMISSION REVERSE IDLER GEAR ASSEMBLY**

DATE:  
REV:



P I  
3440 00



DATE:  
REV:

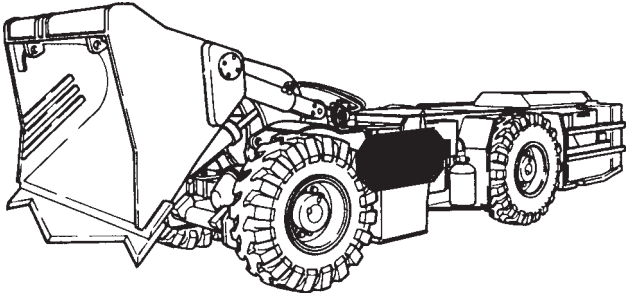
**BOART LONGYEAR  
AARDVARK 4.2 LOAD HAUL DUMPER  
TRANSMISSION REVERSE IDLER GEAR ASSEMBLY**

Pg 083

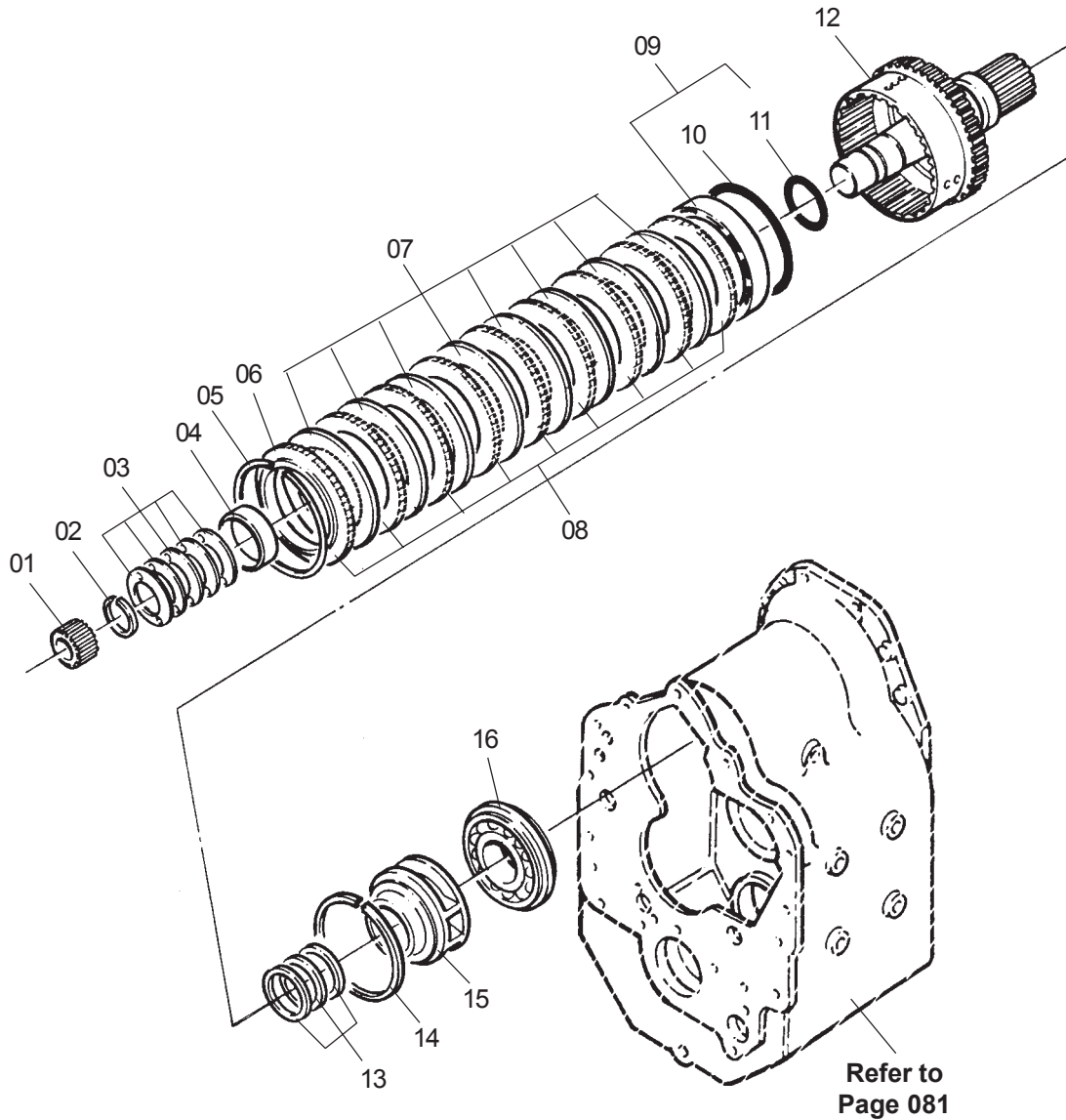
Pos	Item	Comm. No.	See Page	Qty	Part No.	Description	Dwg. No.
P	I						
3440	00			1	<b>GH-59007683/6</b>	<b>TRANSMISSION REVERSE IDLER GEAR ASSEMBLY</b>	
	01			1	GH-78226000	SHAFT	
	02			1	GH-78227000	O-RING	
	03			1	GH-77045000	BALL	
	04			1	GH-78228000	PLATE, Pressure	
	05			2	GH-57875000	BEARING, Tapered Roller	
	06			1	GH-57874000	WHEEL, Gear	
	07			1	GH-78228000	PLATE, Pressure	
	08			1	GH-78229000	NUT, Hex	

**BOART LONGYEAR  
AARDVARK 4.2 LOAD HAUL DUMPER  
TRANSMISSION FORWARD GEAR SHAFT ASSEMBLY**

DATE:  
REV:



P I  
3450 00



DATE:  
REV:

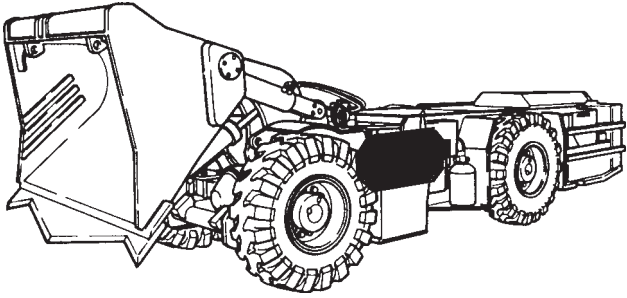
**BOART LONGYEAR  
AARDVARK 4.2 LOAD HAUL DUMPER  
TRANSMISSION FORWARD GEAR SHAFT ASSEMBLY**

Pg 084

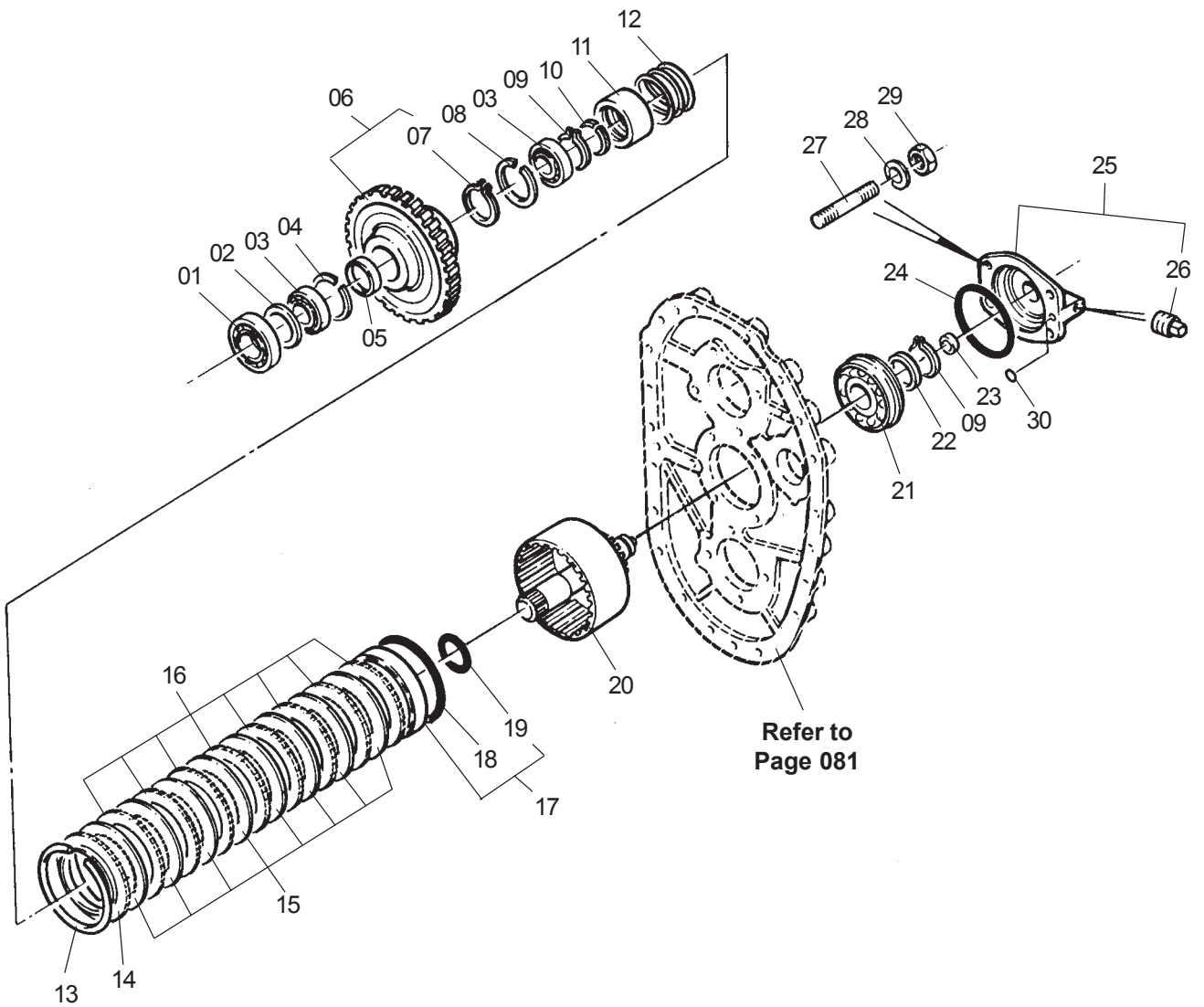
Pos	Item	Comm. No.	See Page	Qty	Part No.	Description	Dwg. No.
P	I						
3450	00			1	<b>GH-59007683/5</b>	<b>TRANSMISSION FORWARD GEAR SHAFT ASSEMBLY</b>	
	01			1	GH-57853000	BEARING	
	02			1	GH-57845000	RING, Snap	
	03			1	GH-57855000	SPRING	
	04			1	GH-57856000	SPACER	
	05			1	GH-57857000	RING, Snap	
	06			1	GH-57858000	PLATE	
	07			8	GH-57859000	DISC, Clutch	
	08			8	GH-57860000	DISC, Clutch	
	09			1	GH-59004171	PISTON AND SEAL ASSEMBLY c/w Items 10 - 11	
	10			1	GH-57862000	RING, Piston	
	11			1	GH-57863000	RING, Piston	
	12			1	GH-78692000	DRUM, Clutch	
	13			4	GH-59003154	RING, Piston	
	13			4	GH-77710000	SPRING	
	14			1	GH-57865000	RING, Snap	
	15			1	GH-78693000	SLEEVE	
	16			1	GH-57863000	RING, Piston	

**BOART LONGYEAR  
AARDVARK 4.2 LOAD HAUL DUMPER  
TRANSMISSION LOW SPEED AND 1ST GEAR SHAFT  
ASSEMBLY**

DATE:  
REV:



P I  
3460 00



DATE:  
REV:

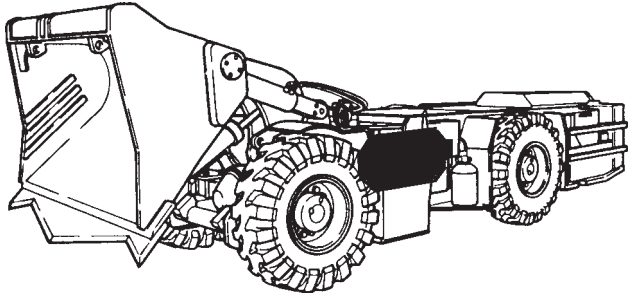
**BOART LONGYEAR  
AARDVARK 4.2 LOAD HAUL DUMPER  
TRANSMISSION LOW SPEED AND 1ST GEAR SHAFT  
ASSEMBLY**

Pg 085

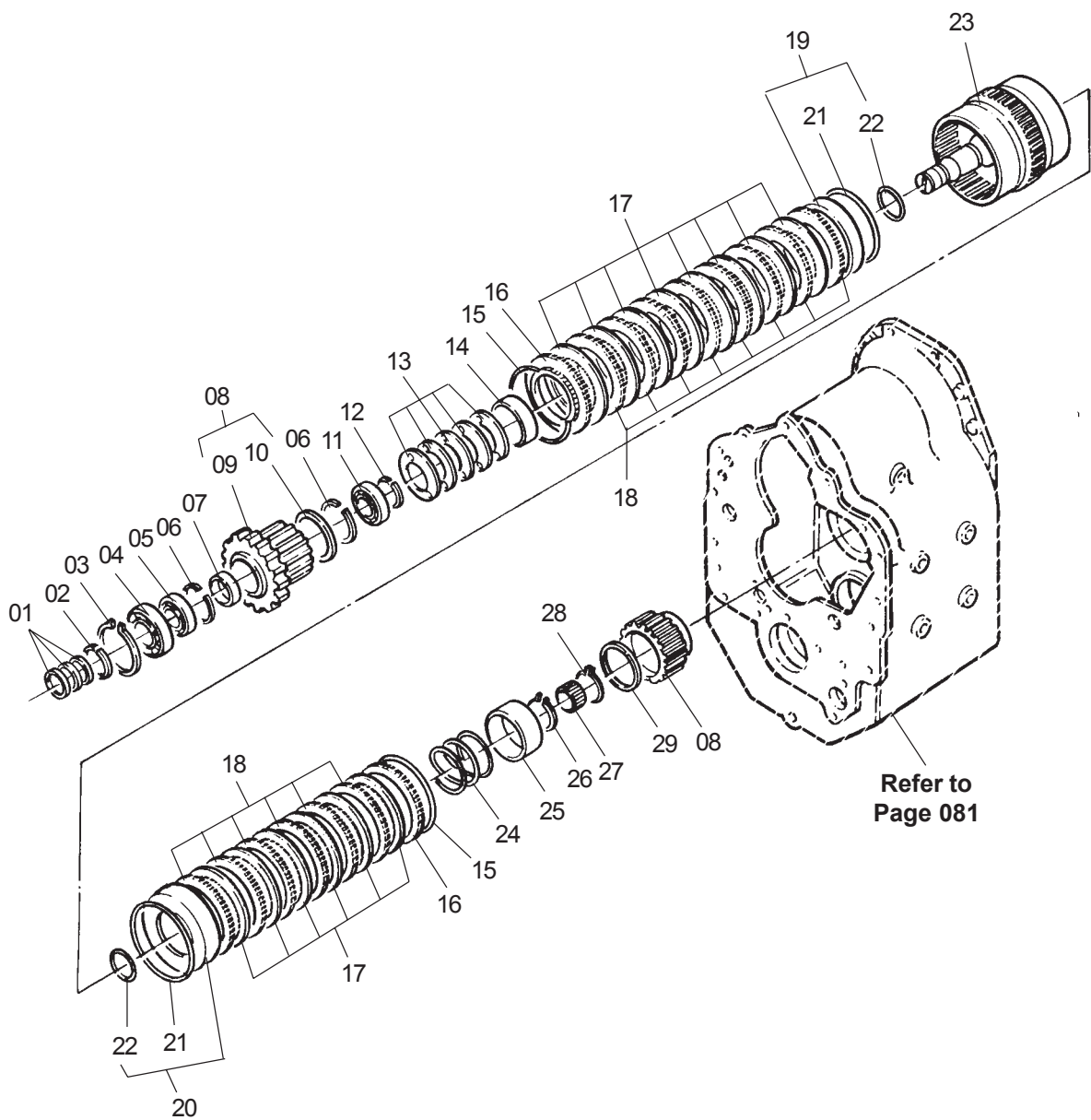
Pos	Item	Comm. No.	See Page	Qty	Part No.	Description	Dwg. No.
P	I						
3460	00			1	GH-59007683/4	<b>TRANSMISSION LOW SPEED AND 1ST GEAR SHAFT ASSEMBLY</b>	
	01			1	GH-57891000	BEARING	
	02			1	GH-57892000	SLEEVE	
	03			2	GH-57443000	BEARING	
	04			1	GH-85020012	RING, Snap	
	05			1	GH-57893000	SLEEVE	
	06			1	GH-77747000	WHEEL, Gear c/w Item 07	
	07			1	GH-57847000	RING, Snap	
	08			1	GH-85020012	RING, Snap	
	09			2	GH-57888000	RING, Snap	
	10			1	GH-56617000	RING, Snap	
	11			1	GH-57886000	HOLDER	
	12			1	GH-57885000	SPRING	
	13			1	GH-57857000	RING, Snap	
	14			1	GH-57858000	PLATE	
	15			8	GH-57894000	DISC, Clutch	
	16			8	GH-57860000	DISC, Clutch	
	17			1	GH-59004171	PISTON AND SEAL ASSEMBLY c/w Item 18 - 19	
	18			1	GH-57862000	RING, Piston	
	19			1	GH-57863000	RING, Piston	
	20			1	GH-78691000	DRUM, Clutch	
	21			1	GH-57896000	BEARING	
	22			1	GH-57897000	WASHER	
	23			1	GH-57898000	RING	
	24			1	GH-57899000	O-RING	
	25			1	GH-57830000	COVER, Bearing c/w Item 26	
	26			1	GH-57831000	PLUG	
	27			4	GH-59004173	STUD	
	28			4	GH-86801000	WASHER, Spring	
	29			4	GH-86245000	NUT	
	30			1	GH-77402000	O-RING	

**BOART LONGYEAR  
AARDVARK 4.2 LOAD HAUL DUMPER  
TRANSMISSION REVERSE AND 2ND GEAR SHAFT  
ASSEMBLY**

DATE:  
REV:



P I  
3470 00





DATE:  
REV:

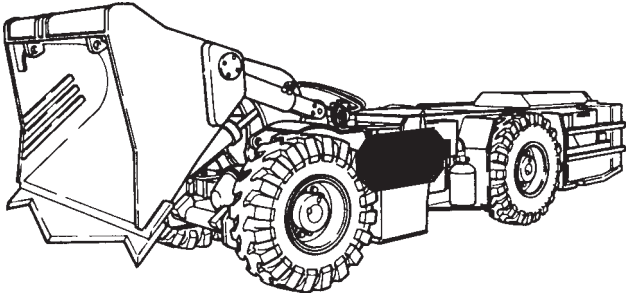
**BOART LONGYEAR  
AARDVARK 4.2 LOAD HAUL DUMPER  
TRANSMISSION REVERSE AND 2ND GEAR SHAFT  
ASSEMBLY**

Pg 086

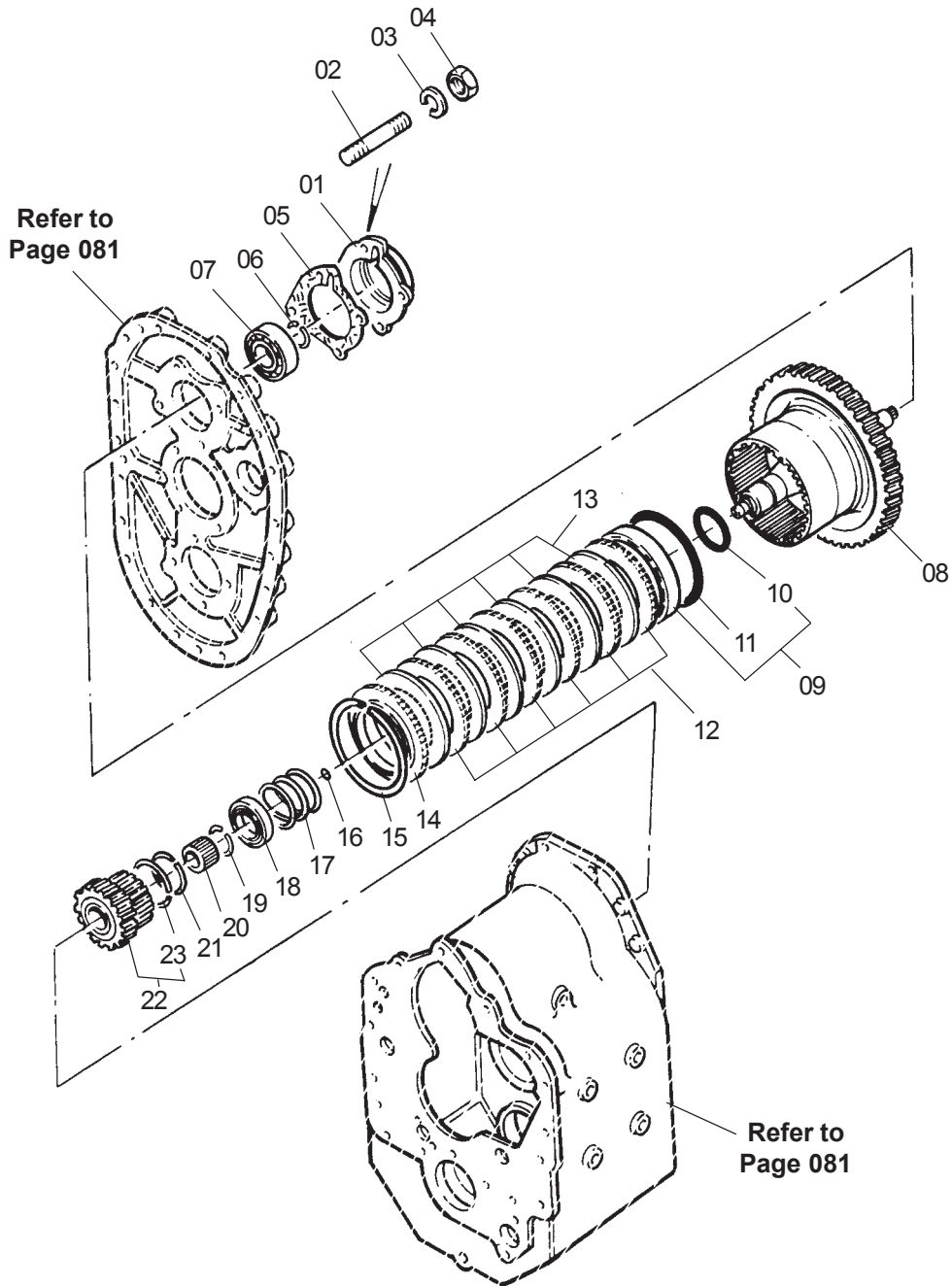
Pos	Item	Comm. No.	See Page	Qty	Part No.	Description	Dwg. No.
P	I						
3470	00			1	GH-59007683/3	<b>TRANSMISSION REVERSE AND 2ND GEAR SHAFT ASSEMBLY</b>	
	01			3	GH-59004170	RING, Piston	
	02			1	GH-59003175	RING, Snap	
	03			1	GH-86268000	RING, Snap	
	04			1	GH-86271000	BEARING, Roller	
	05			1	GH-84393000	BEARING	
	06			2	GH-57881000	RING, Snap	
	07			1	GH-57882000	SLEEVE	
	08			1	GH-57889000	HUB c/w Item 09 - 10	
	09			1	GH-57890000	WHEEL, Gear c/w Item 10	
	10			1	GH-57847000	RING, Snap	
	11			1	GH-86272000	BEARING	
	12			1	GH-57854000	RING, Snap	
	13			1	GH-57855000	SPRING	
	14			1	GH-57856000	RING, Spacer	
	15			2	GH-57857000	RING, Snap	
	16			2	GH-57858000	PLATE	
	17			14	GH-57859000	DISC, Clutch	
	18			14	GH-57860000	DISC, Clutch	
	19			1	GH-59004171	PISTON AND SEAL ASSEMBLY c/w Items 21 - 22	
	20			1	GH-59004172	PISTON AND SEAL ASSEMBLY c/w Items 21 - 22	
	21			1	GH-57862000	RING, Piston	
	22			1	GH-57863000	RING, Piston	
	23			1	GH-57883000	DRUM, Clutch	
	24			1	GH-57885000	SPRING	
	25			1	GH-57886000	HOLDER	
	26			1	GH-56617000	RING, Snap	
	27			1	GH-57887000	BEARING	
	28			1	GH-57888000	RING, Snap	
	29			1	GH-57847000	RING, Snap	

**BOART LONGYEAR  
AARDVARK 4.2 LOAD HAUL DUMPER  
TRANSMISSION 3RD GEAR SHAFT ASSEMBLY**

DATE:  
REV:



P I  
3480 00



DATE:  
REV:

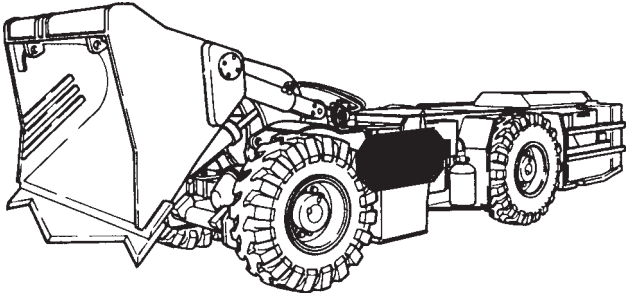
**BOART LONGYEAR  
AARDVARK 4.2 LOAD HAUL DUMPER  
TRANSMISSION 3RD GEAR SHAFT ASSEMBLY**

Pg 087

Pos	Item	Comm. No.	See Page	Qty	Part No.	Description	Dwg. No.
P	I						
3480	00			1	GH-59007683/7	<b>TRANSMISSION 3RD GEAR SHAFT ASSEMBLY</b>	
	01			1	GH-56829000	COVER	
	02			4	GH-78711000	STUD	
	03			4	GH-77012000	WASHER, Spring	
	04			4	GH-86658000	NUT, Hex	
	05			1	GH-56824000	GASKET	
	06			1	GH-59003175	RING, Snap	
	07			1	GH-85535000	BEARING	
	08			1	GH-78694000	DRUM, Clutch	
	09			1	GH-59004172	PISTON AND SEAL ASSEMBLY c/w Items 10 - 11	
	10			1	GH-57863000	RING, Piston	
	11			1	GH-57862000	RING, Piston	
	12			6	GH-57860000	DISC, Clutch	
	13			6	GH-57859000	DISC, Clutch	
	14			1	GH-57858000	PLATE	
	15			1	GH-57857000	RING, Snap	
	16			1	GH-57898000	RING	
	17			1	GH-57885000	SPRING	
	18			1	GH-57886000	HOLDER	
	19			1	GH-56617000	RING, Snap	
	20			1	GH-78695000	BEARING	
	21			1	GH-57869000	RING, Snap	
	22			1	GH-78696000	HUB c/w Item 23	
	23			1	GH-57847000	RING, Snap	

**BOART LONGYEAR  
AARDVARK 4.2 LOAD HAUL DUMPER  
TRANSMISSION OUTPUT SHAFT ASSEMBLY**

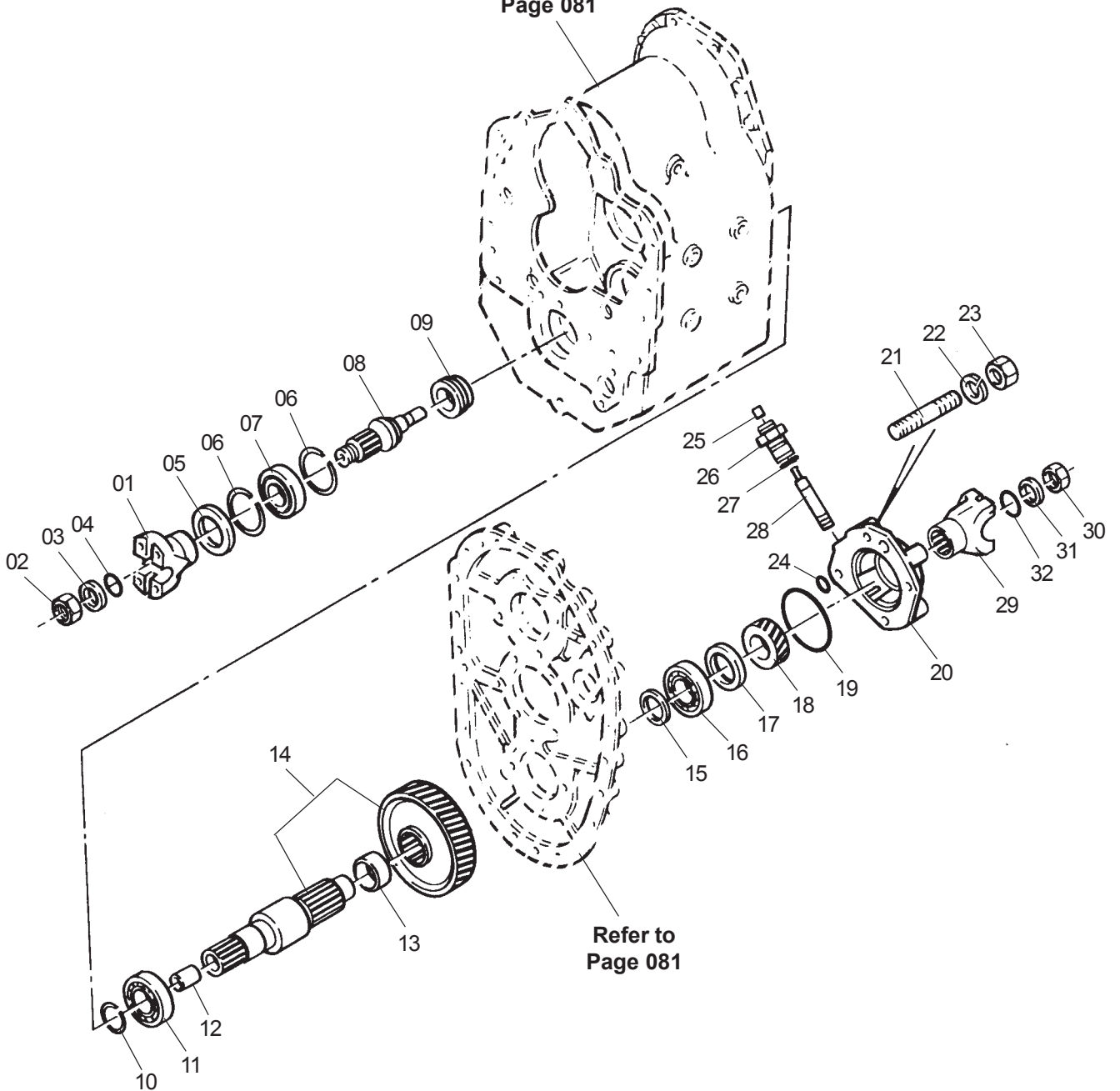
DATE:  
REV:



P I  
3490 00



Refer to  
Page 081



DATE:  
REV:

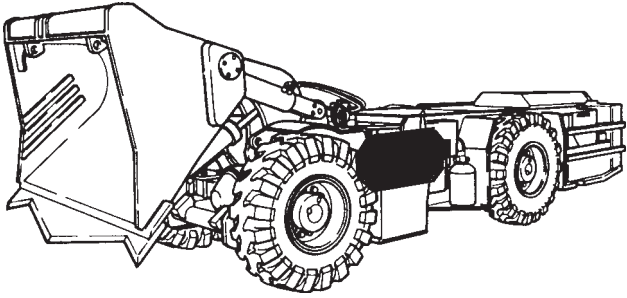
**BOART LONGYEAR  
AARDVARK 4.2 LOAD HAUL DUMPER  
TRANSMISSION OUTPUT SHAFT ASSEMBLY**

Pg 088

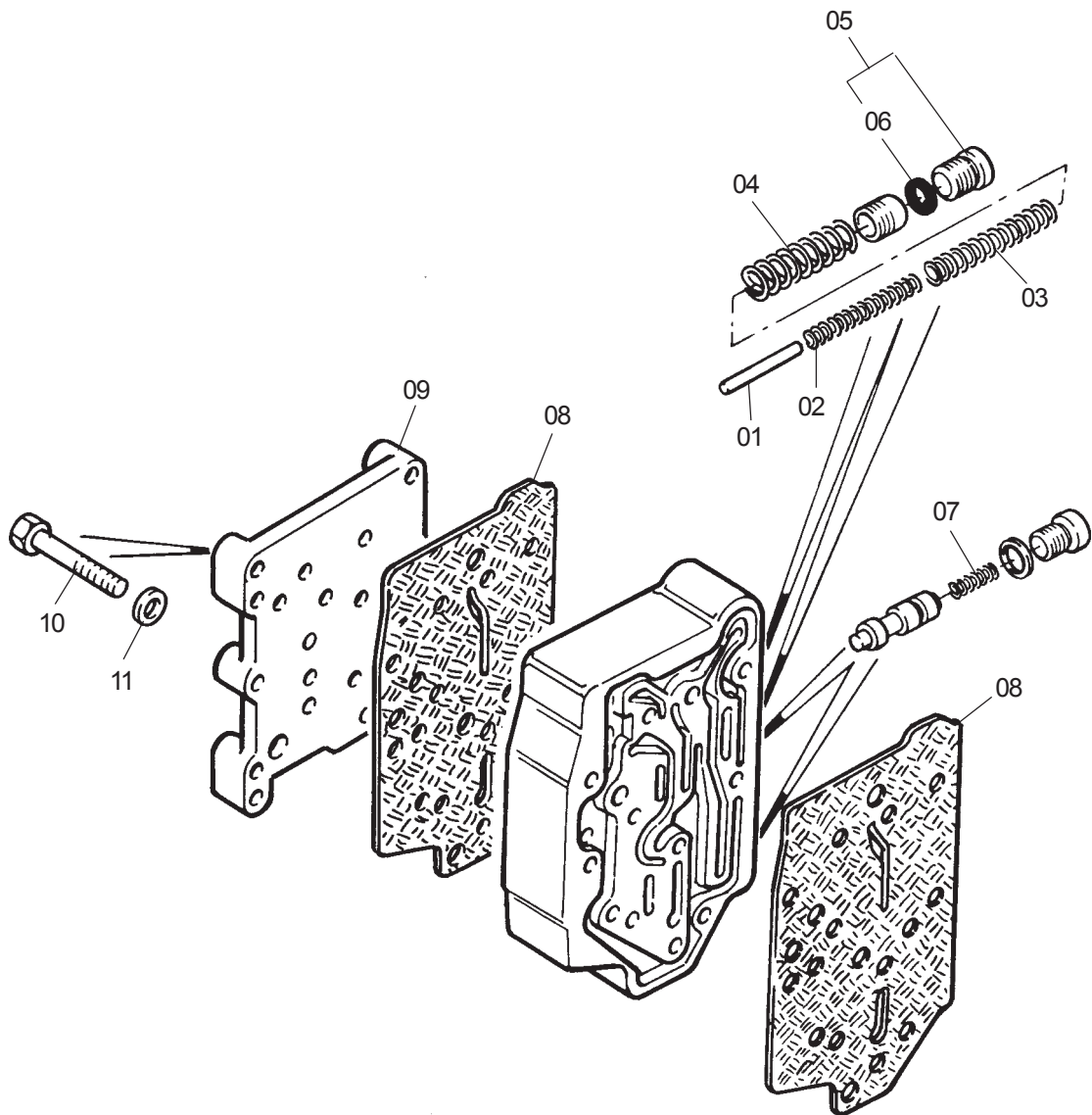
Pos	Item	Comm. No.	See Page	Qty	Part No.	Description	Dwg. No.
P	I						
3490	00			1	<b>GH-59007683/8</b>	<b>TRANSMISSION OUTPUT SHAFT ASSEMBLY</b>	
	01			1	GH-87470000	FLANGE, Cardan	
	02			1	GH-86349000	NUT, Hex Lock	
	03			1	GH-86750000	WASHER	
	04			1	GH-78697000	O-RING	
	05			1	GH-86351000	RING, Seal	
	06			2	GH-86871000	RING, Snap	
	07			1	GH-87119000	BEARING	
	08			1	GH-78698000	SHAFT	
	09			1	GH-78699000	PIECE, Coupling	
	10			1	GH-86311000	RING, Snap	
	11			1	GH-57891000	BEARING	
	12			1	GH-85030029	BUSHING	
	13			1	GH-57451000	SLEEVE	
	14			1	GH-78700000	WHEEL, Gear c/w Shaft	
	15			1	GH-77424000	SPACER	
	16			1	GH-85535000	BEARING	
	17			1	GH-77417000	RING, Seal	
	18			1	GH-77763000	WHEEL, Gear	
	19			1	GH-78703000	O-RING	
	20			1	GH-77760000	HOUSING	
	21			4	GH-77419000	STUD	
	22			4	GH-86817000	WASHER, Spring	
	23			4	GH-77421000	NUT, Hex	
	24			1	GH-78702000	O-RING	
	25			1	GH-57627000	RING, Seal	
	26			1	GH-57626000	ADAPTOR	
	27			1	GH-78701000	O-RING	
	28			1	GH-77759000	WHEEL, Gear	
	29			1	GH-78704000	FLANGE	
	30			1	GH-86650000	NUT, Hex Lock	
	31			1	GH-86751000	WASHER	
	32			1	GH-55970000	O-RING	

BOART LONGYEAR  
AARDVARK 4.2 LOAD HAUL DUMPER  
TRANSMISSION MODULATOR VALVE ASSEMBLY

DATE:  
REV:



P I  
3510 00



DATE:  
REV:

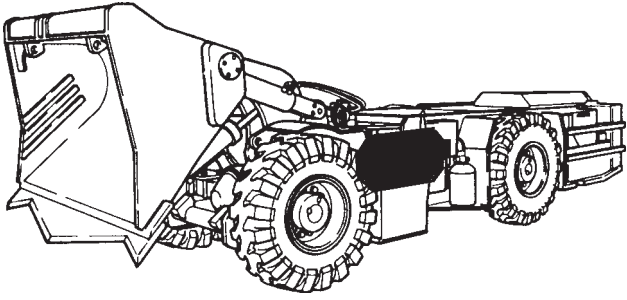
**BOART LONGYEAR  
AARDVARK 4.2 LOAD HAUL DUMPER  
TRANSMISSION MODULATOR VALVE ASSEMBLY**

Pg 089

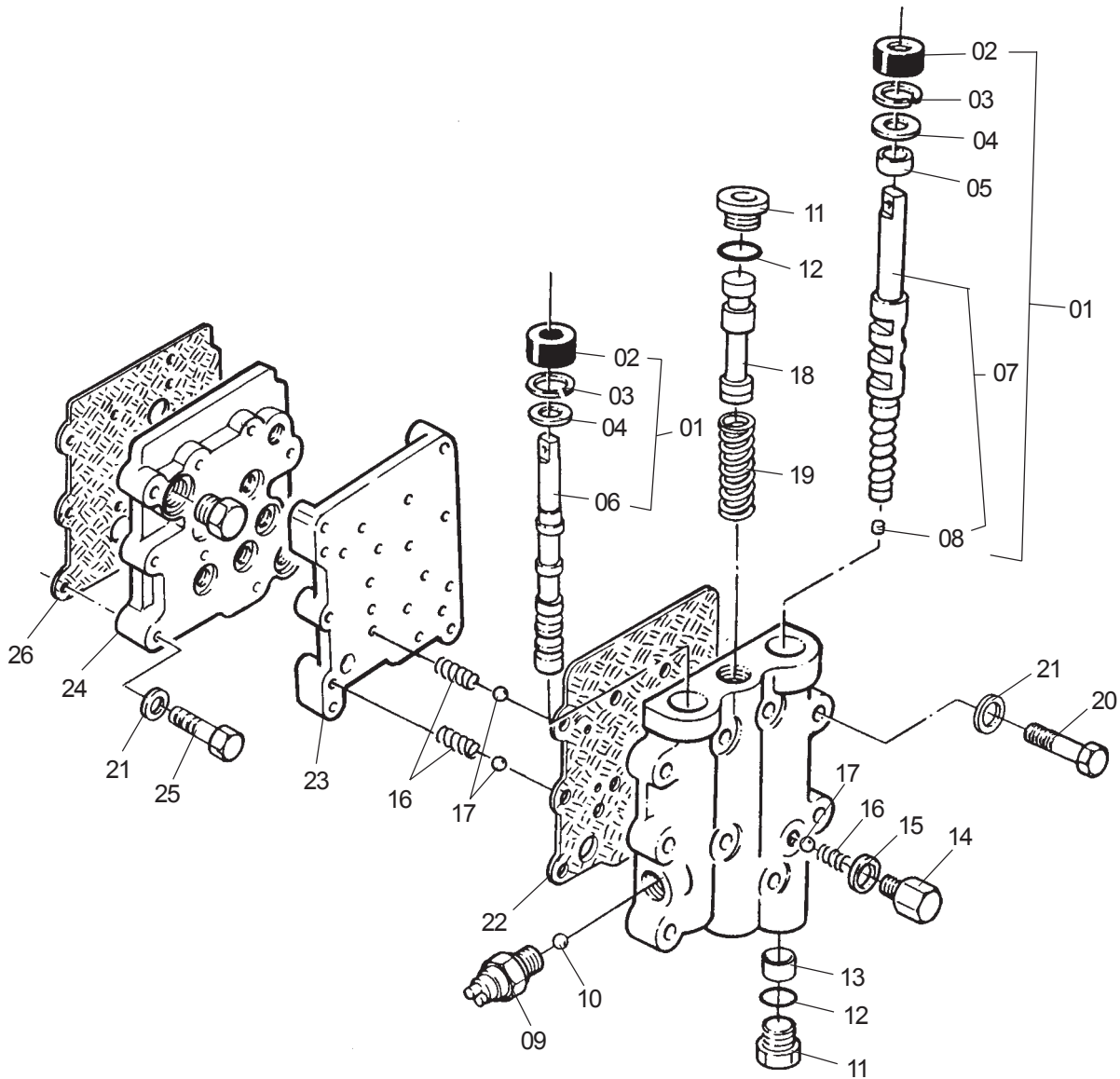
Pos	Item	Comm. No.	See Page	Qty	Part No.	Description	Dwg. No.
P	I						
3510	00			1	<b>GH-90387000</b>	<b>TRANSMISSION MODULATOR VALVE ASSEMBLY</b>	
	01			2	GH-90388000	PIN, Accumulator - Stop	
	02			2	GH-90389000	SPRING, Accumulator - Inner	
	03			2	GH-90390000	SPRING, Accumulator - Middle	
	04			2	GH-90391000	SPRING, Accumulator - Outer	
	05			4	GH-90933000	PLUG, Spool - Stop Plug c/w Item 06	
	06			4	GH-90932000	O-RING, Spool - Stop Plug	
	07			2	GH-90934000	SPRING, Regulator	
	08			2	GH-90395000	GASKET	
	09			1	GH-90982000	PLATE, Connecting - Control Valve	
	10			8	102-6W-34	BOLT, Hex Hd	
	11			8	GH-25176000	WASHER	

# BOART LONGYEAR AARDVARK 4.2 LOAD HAUL DUMPER TRANSMISSION CONTROL VALVE ASSEMBLY

DATE:  
REV:



P I  
3520 00





DATE:  
REV:

**BOART LONGYEAR  
AARDVARK 4.2 LOAD HAUL DUMPER  
TRANSMISSION CONTROL VALVE ASSEMBLY**

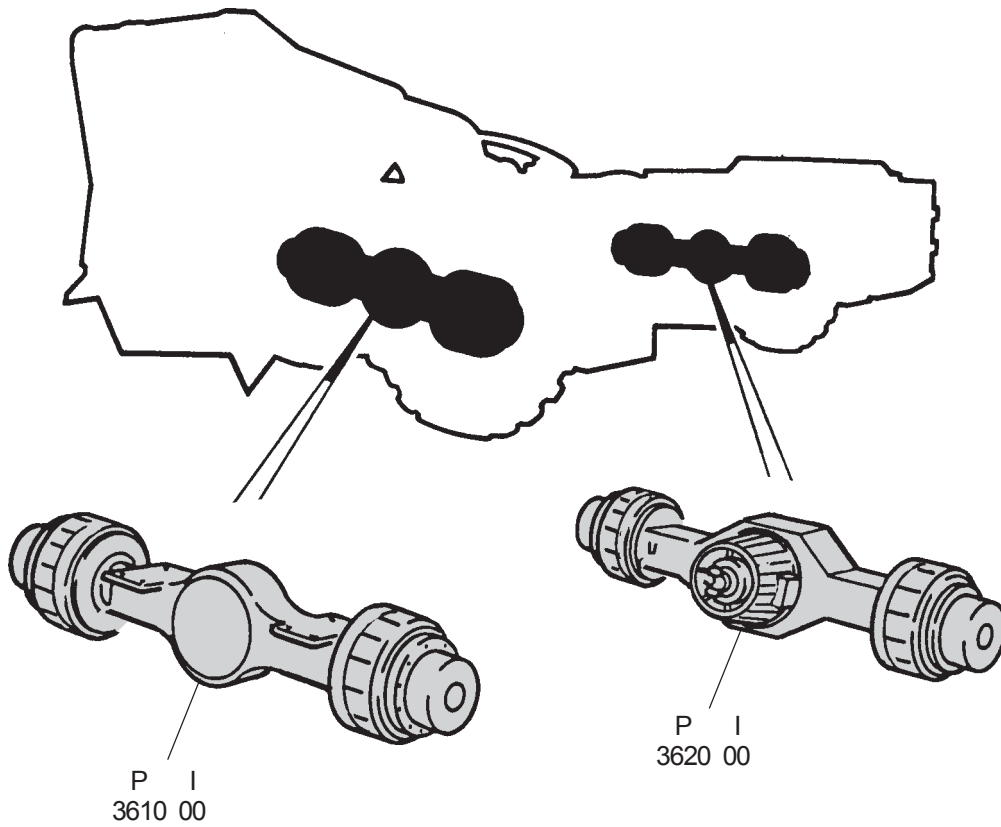
Pg 090

Pos	Item	Comm. No.	See Page	Qty	Part No.	Description	Dwg. No.
P	I						
3520	00			1	<b>GH-59007683/9</b>	<b>TRANSMISSION CONTROL VALVE ASSEMBLY</b>	
	01			1	GH-56621000	VALVE ASSEMBLY, Steering c/w Items 02 - 08	
	02			2	GH-87027000	SEAL, Oil	
	03			2	GH-59003255	RING, Snap	
	04			2	GH-25009000	WASHER	
	05			1	GH-87656000	RING, Spacer	
	06			1	GH-86469000	SPOOL, Valve	
	07			1	GH-86497000	SPOOL, Valve c/w Item 08	
	08			1	GH-77772000	PLUG	
	09			1	GH-86494000	SWITCH	
	10			1	GH-85161021	BALL	
	11			2	GH-56622000	PLUG	
	12			2	GH-86496000	O-RING	
	13			1	GH-57613000	SLEEVE	
	14			1	GH-56622000	PLUG	
	15			1	GH-56623000	WASHER	
	16			3	GH-85161022	SPRING	
	17			3	GH-85161021	BALL	
	18			1	GH-84392000	SPOOL, Valve	
	19			1	GH-86394000	SPRING, Valve Spool	
	20			9	GH-86577000	SCREW, Hex Hd	
	21			18	GH-77012000	WASHER, Spring	
	22			1	GH-59004174	GASKET	
	23			1	GH-78833000	PLATE	
	24			1	GH-59004176	PLATE, Valve	
	25			9	GH-85023008	SCREW, Hex Hd	
	26			1	GH-59004175	GASKET	

BOART LONGYEAR  
AARDVARK 4.2 LOAD HAUL DUMPER  
AXLE ASSEMBLY

DATE:  
REV:

P I  
3600 00



DATE:  
REV:

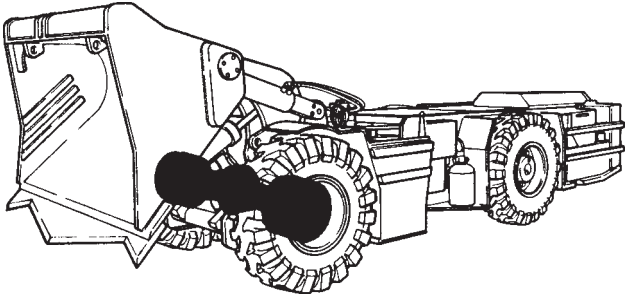
**BOART LONGYEAR  
AARDVARK 4.2 LOAD HAUL DUMPER  
AXLE ASSEMBLY**

Pg 091

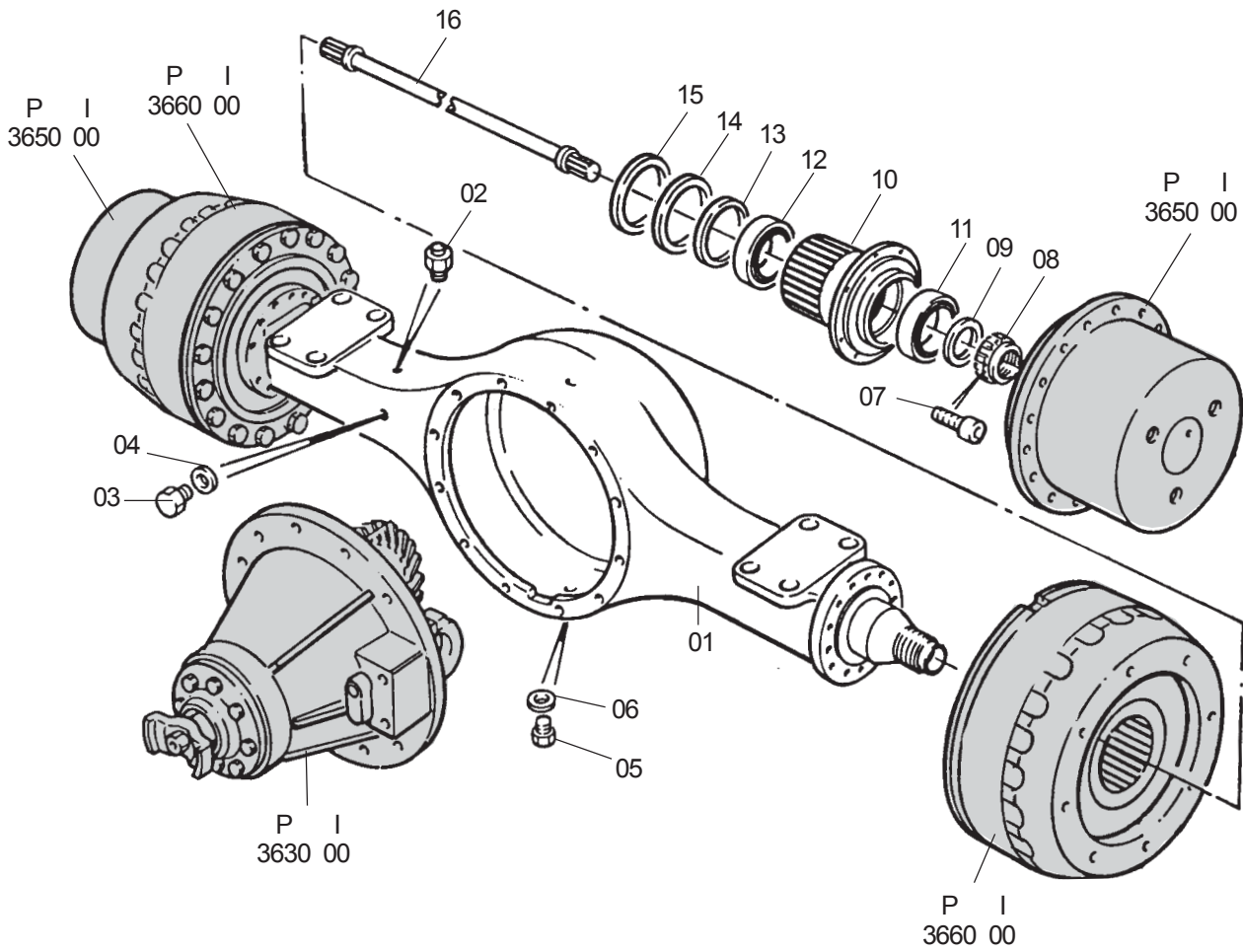
Pos	Item	Comm. No.	See Page	Qty	Part No.	Description	Dwg. No.
P	I						
3600	00			1		AXLE ASSEMBLY	
3610	00		092	1	GH-59011461	AXLE ASSEMBLY - FRONT (NON-SPIN)	
3620	00		093	1	GH-59008901	AXLE ASSEMBLY - REAR (STANDARD)	

**BOART LONGYEAR  
AARDVARK 4.2 LOAD HAUL DUMPER  
AXLE ASSEMBLY - FRONT (NON-SPIN)**

DATE:  
REV:



P I  
3610 00

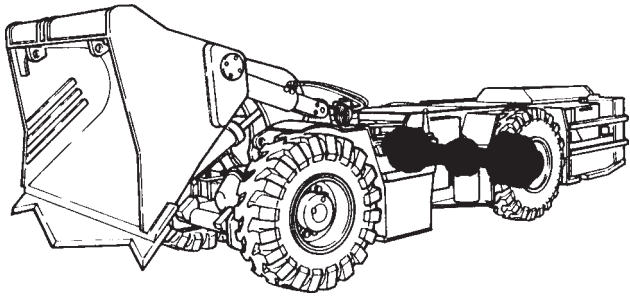


NOTE: Only LH Side is shown for clarity

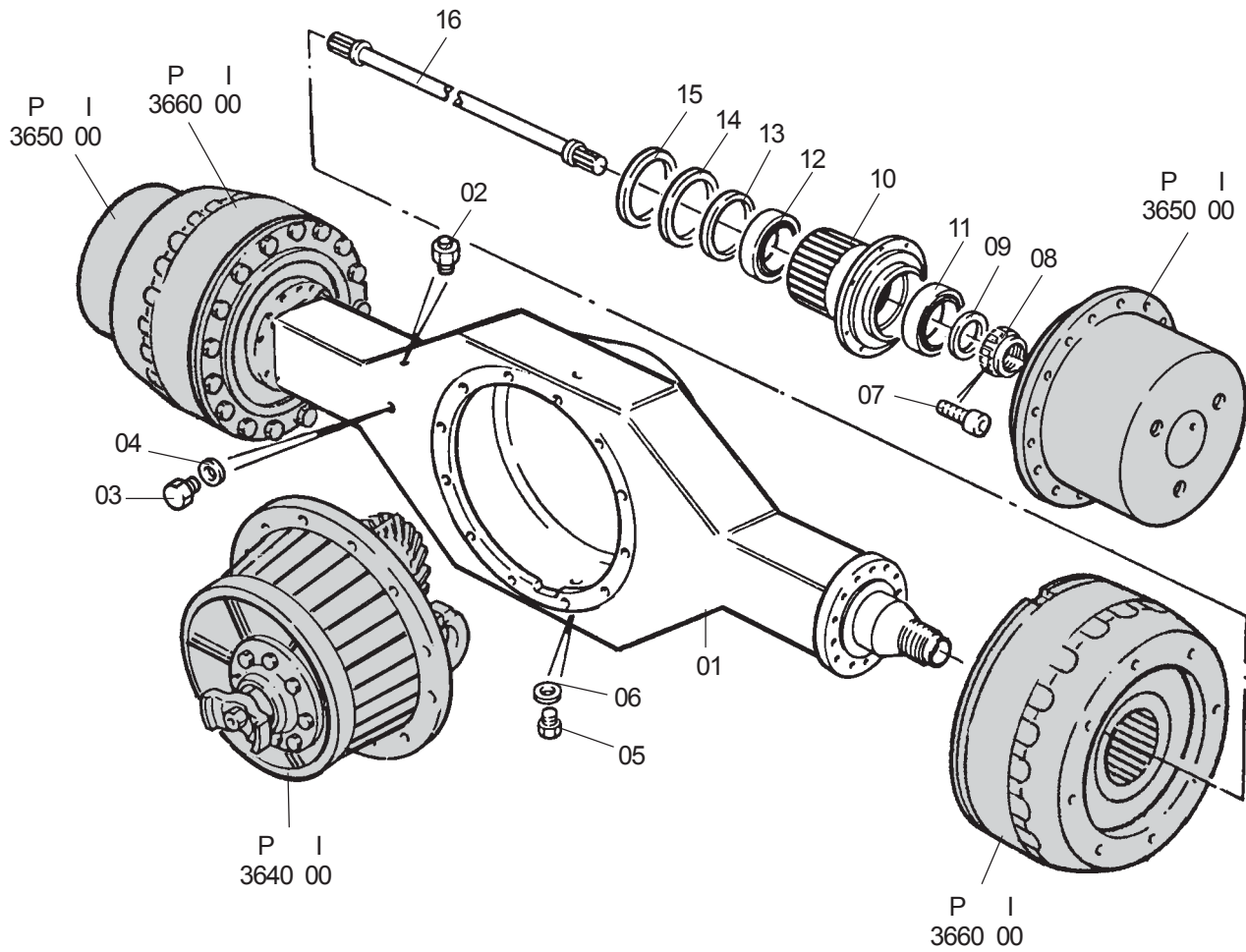
Pos	Item	Comm. No.	See Page	Qty	Part No.	Description	Dwg. No.
P	I						
3610	00			1	<b>GH-59011461</b>	<b>AXLE ASSEMBLY – FRONT (NON-SPIN)</b>	
	01			1	GH-91150000	HOUSING	
	02			1	GH-59004123	BREATHER	
	03			1	GH-22286000	PLUG, Screw	
	04			1	GH-85135330	RING, Sealing	
	05			1	GH-22288000	PLUG, Screw	
	06			1	GH-64003009	RING, Sealing	
	07			2	GH-21141009	SCREW, Cap Soc Hex Hd	
	08			2	GH-59004130	NUT, Lock	
	09			2	GH-78879000	WASHER, Thrust	
	10			2	GH-59004133	HUB, Wheel	
	11			2	GH-78727000	BEARING, Tapered Roller	
	12			2	GH-78728000	BEARING, Tapered Roller	
	13			2	GH-59004132	RING, Spacer	
	14			2	GH-59004131	RING, Radial Seal	
	15			2	GH-59001802	RING, Radial Seal	
	16			2	GH-78725000	SHAFT	
3630	00		094	1	<b>GH-59004163</b>	<b>AXLE DIFFERENTIAL ASSEMBLY – FRONT(NON SPIN)</b>	
3650	00		096	2	<b>GH-91175000</b>	<b>AXLE PLANETARY HUB ASSEMBLY</b>	
3660	00		097	2	<b>GH-91176000</b>	<b>AXLE SPRING LOADED BRAKE ASSEMBLY</b>	

**BOART LONGYEAR  
AARDVARK 4.2 LOAD HAUL DUMPER  
AXLE ASSEMBLY - REAR (STANDARD)**

DATE:  
REV:



P I  
3620 00



NOTE: Only LH Side is shown for clarity

DATE:  
REV:

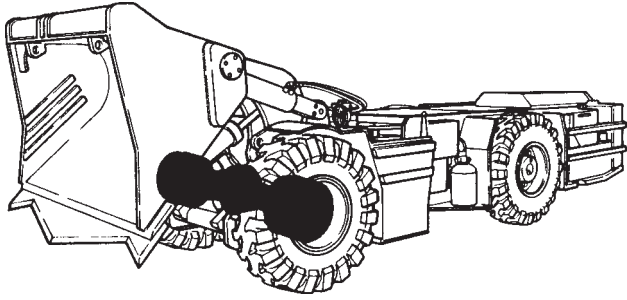
**BOART LONGYEAR  
AARDVARK 4.2 LOAD HAUL DUMPER  
AXLE ASSEMBLY - REAR (STANDARD)**

Pg 093

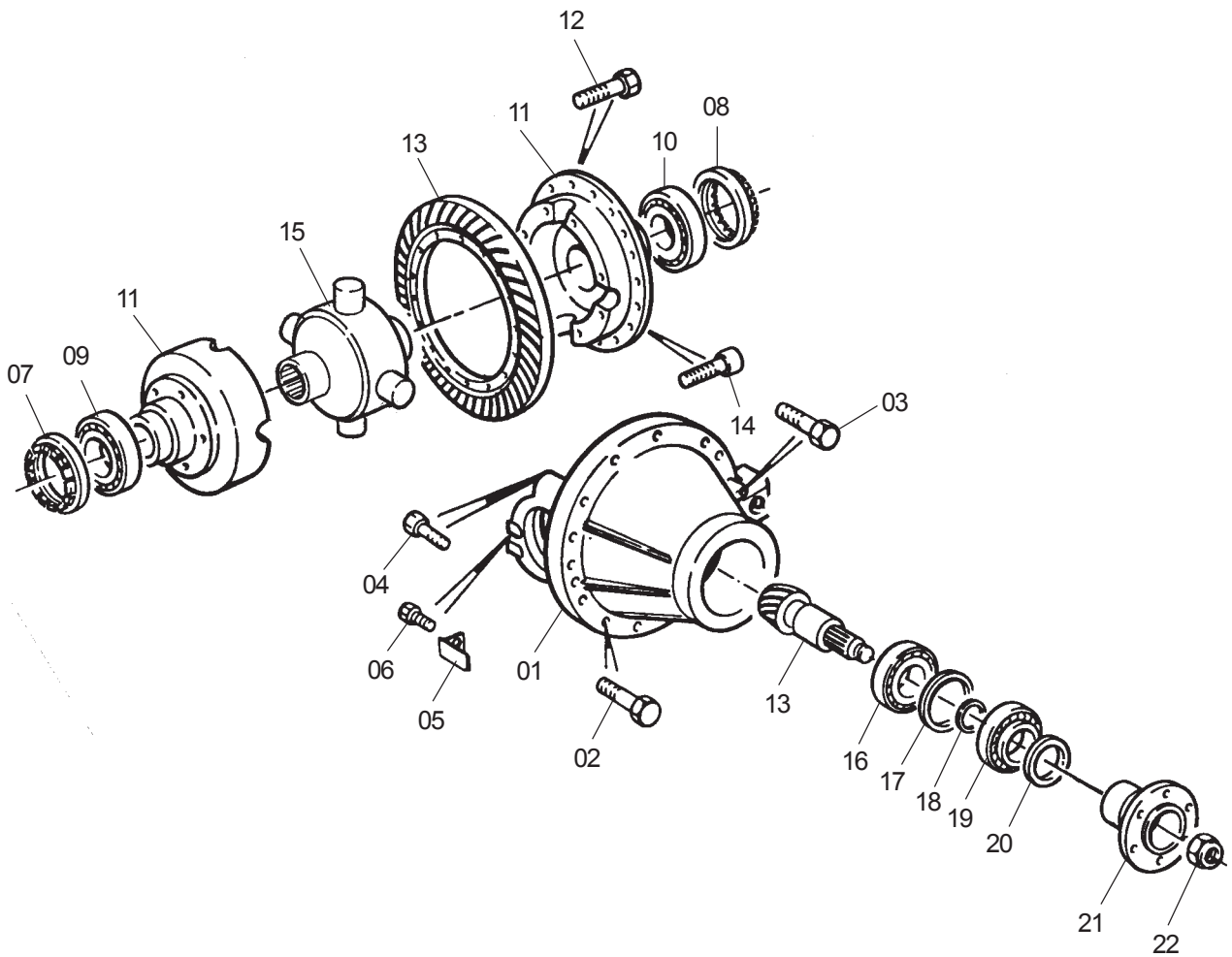
Pos Item		Comm. No.	See Page	Qty	Part No.	Description	Dwg. No.
P	I						
3620	00			1	<b>GH-59008901</b>	<b>AXLE ASSEMBLY - REAR (STANDARD)</b>	
	01			1	GH-91150000	HOUSING	
	02			1	GH-59004123	BREATHER	
	03			1	GH-22286000	PLUG, Screw	
	04			1	GH-85135330	RING, Sealing	
	05			1	GH-22288000	PLUG, Screw	
	06			1	GH-64003009	RING, Sealing	
	07			2	GH-21141009	SCREW, Cap Soc Hex Hd	
	08			2	GH-59004130	NUT, Lock	
	09			2	GH-78879000	WASHER, Thrust	
	10			2	GH-59004133	HUB, Wheel	
	11			2	GH-29201009	BEARING, Tapered Roller	
	12			2	GH-78728000	BEARING, Tapered Roller	
	13			2	GH-59004132	RING, Spacer	
	14			2	GH-59004131	RING, Radial Seal	
	15			2	GH-59001802	RING, Radial Seal	
	16			2	GH-59004788	SHAFT	
3640	00		095	1	<b>GH-59004165</b>	<b>AXLE DIFFERENTIAL ASSEMBLY - REAR (STANDARD)</b>	
3650	00		096	2	<b>GH-91175000</b>	<b>AXLE PLANETARY HUB ASSEMBLY</b>	
3660	00		097	2	<b>GH-91176000</b>	<b>AXLE SPRING LOADED BRAKE ASSEMBLY</b>	

**BOART LONGYEAR  
AARDVARK 4.2 LOAD HAUL DUMPER  
AXLE DIFFERENTIAL ASSEMBLY - FRONT (NON-SPIN)**

DATE:  
REV:



P I  
3630 00



ITEM NOT ILLUSTRATED - 23



DATE:  
REV:

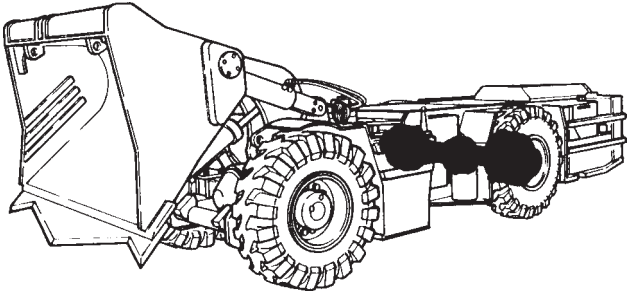
**BOART LONGYEAR  
AARDVARK 4.2 LOAD HAUL DUMPER  
AXLE DIFFERENTIAL ASSEMBLY - FRONT (NON-SPIN)**

Pg 094

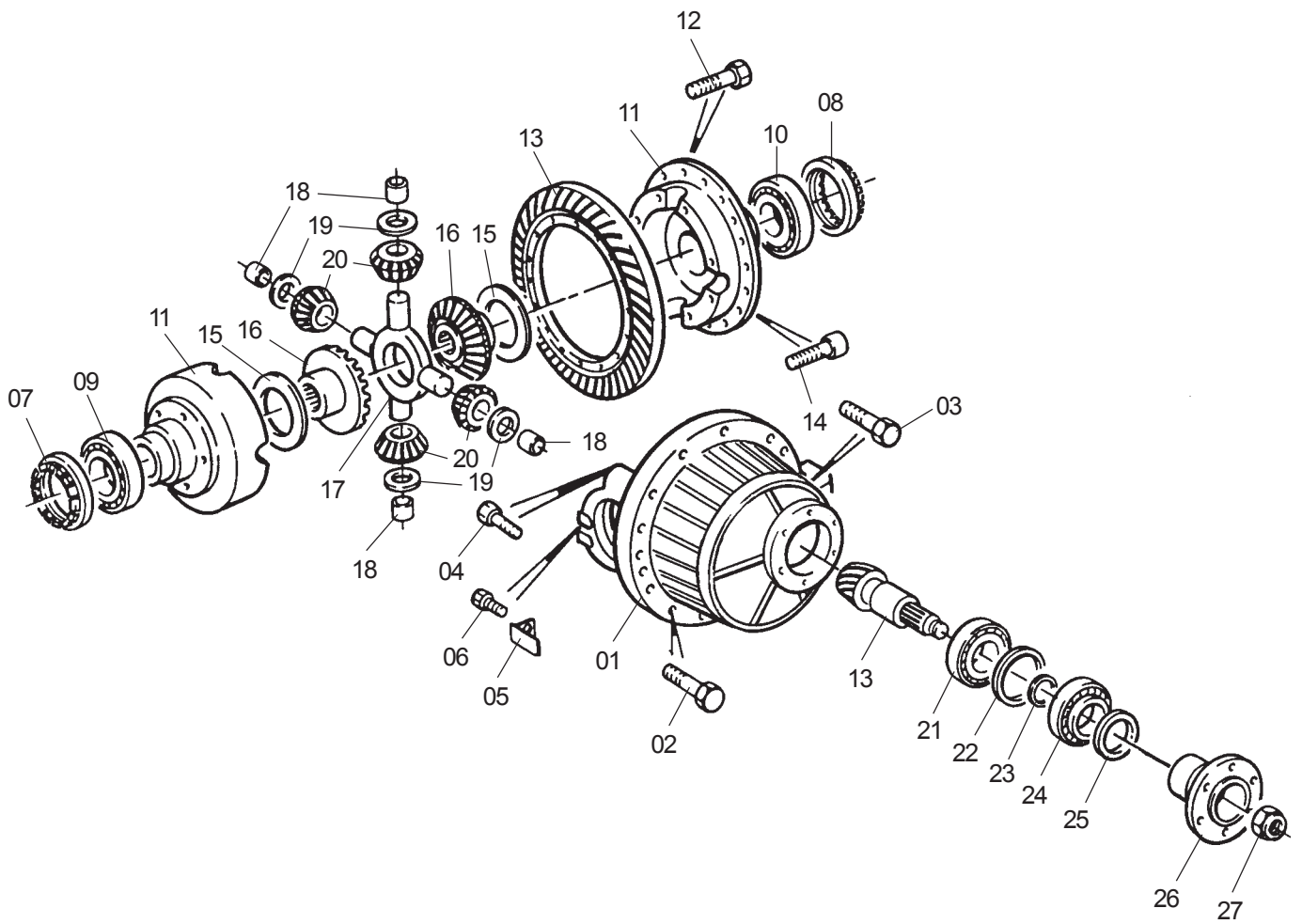
Pos Item		Comm. No.	See Page	Qty	Part No.	Description	Dwg. No.
P	I						
3630	00			1	<b>GH-59004163</b>	<b>AXLE DIFFERENTIAL ASSEMBLY - FRONT (NON-SPIN)</b>	
	01			1	GH-59004159	CARRIER	
	02			21	GH-K07453	SCREW, Hex Hd	
	03			3	GH-K63633	SCREW, Hex Hd	
	04			4	GH-K63947	SCREW, Hex Hd	
	05			2	GH-59004127	PLATE, Locking	
	06			2	GH-K63597	SCREW, Hex Hd	
	07			1	GH-78751000	NUT, Adjusting	
	08			1	GH-59004126	NUT, Adjusting	
	09			1	GH-78743000	BEARING, Tapered Roller	
	10			1	GH-78742000	BEARING, Tapered Roller	
	11			1	GH-91169000	HOUSING	
	12			8	GH-K63943	SCREW, Hex Hd	
	13			1	GH-78745000	RING GEAR AND PINION ASSEMBLY	
	14			16	GH-K63944	SCREW, Cap Soc Hex Hd	
	15			1	GH-59004896	NON-SPIN ASSEMBLY	
	16			1	GH-78746000	BEARING, Tapered Roller	
	17			1	GH-78749000	WASHER	
	18			1	GH-78748000	RING	
	19			1	GH-78747000	BEARING, Tapered Roller	
	20			1	GH-59004125	RING, Radial Seal	
	21			1	GH-78754000	FLANGE, Drive	
	22			1	GH-78381000	NUT, Hex Lock	
	23			4	GH-91173000	PIN, Locking (Not Illustrated)	

**BOART LONGYEAR  
AARDVARK 4.2 LOAD HAUL DUMPER  
AXLE DIFFERENTIAL ASSEMBLY - REAR (STANDARD)**

DATE:  
REV:



P I  
3640 00



ITEM NOT ILLUSTRATED - 28

DATE:  
REV:

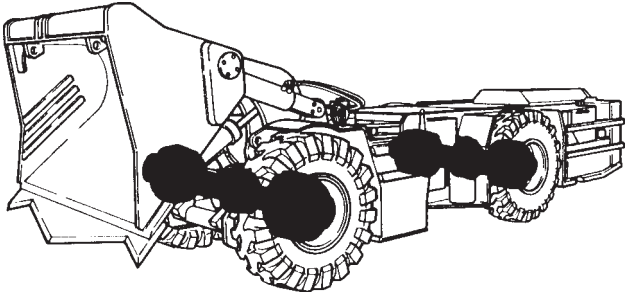
**BOART LONGYEAR  
AARDVARK 4.2 LOAD HAUL DUMPER  
AXLE DIFFERENTIAL ASSEMBLY - REAR (STANDARD)**

Pg 095

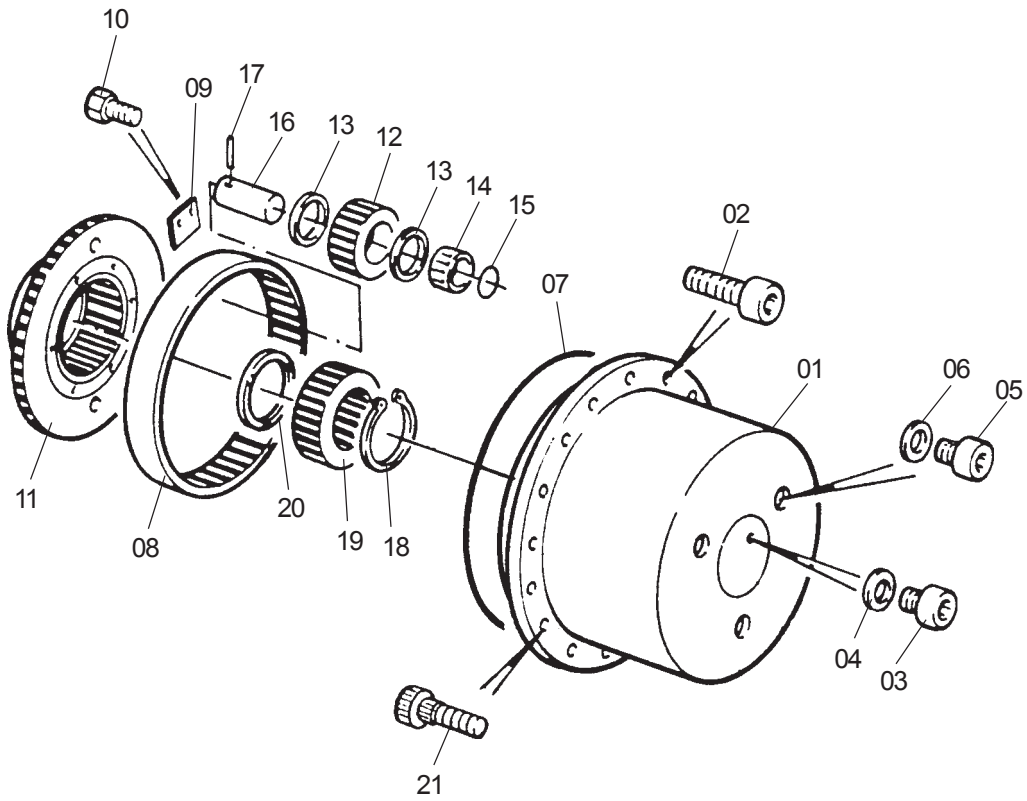
Pos	Item	Comm. No.	See Page	Qty	Part No.	Description	Dwg. No.
P	I						
3640	00			1	<b>GH-59004165</b>	<b>AXLE DIFFERENTIAL ASSEMBLY - REAR (STANDARD)</b>	
	01			1	9001283	CARRIER	
	02			21	GH-K07453	SCREW, Hex Hd	
	03			3	GH-K63633	SCREW, Hex Hd	
	04			4	GH-K63947	SCREW, Hex Hd	
	05			2	GH-59004127	PLATE, Locking	
	06			2	GH-K63597	SCREW, Hex Hd	
	07			1	GH-78751000	NUT, Adjusting	
	08			1	GH-59004126	NUT, Adjusting	
	09			1	GH-78743000	BEARING, Tapered Roller	
	10			1	GH-78742000	BEARING, Tapered Roller	
	11			1	GH-91169000	HOUSING	
	12			8	GH-K63943	SCREW, Hex Hd	
	13			1	GH-78745000	RING GEAR AND PINION ASSEMBLY	
	14			16	GH-K63944	SCREW, Cap Soc Hex Hd	
	15			2	GH-91171000	SPACER	
	16			2	GH-78739000	GEAR, Side	
	17			1	GH-78741000	SPIDER	
	18			4	GH-59004124	BUSH, Bearing	
	19			4	GH-59003593	WASHER, Thrust	
	20			4	GH-78740000	PINION	
	21			1	GH-78746000	BEARING, Tapered Roller	
	22			1	GH-78749000	WASHER	
	23			1	GH-78748000	RING	
	24			1	GH-78747000	BEARING, Tapered Roller	
	25			1	GH-59004125	RING, Radial Seal	
	26			1	GH-78754000	FLANGE, Drive	
	27			1	GH-78381000	NUT, Hex Lock	
	28			4	GH-91173000	PIN, Locking (Not Illustrated)	

BOART LONGYEAR  
AARDVARK 4.2 LOAD HAUL DUMPER  
AXLE PLANETARY HUB ASSEMBLY

DATE:  
REV:



P I  
3650 00



DATE:  
REV:

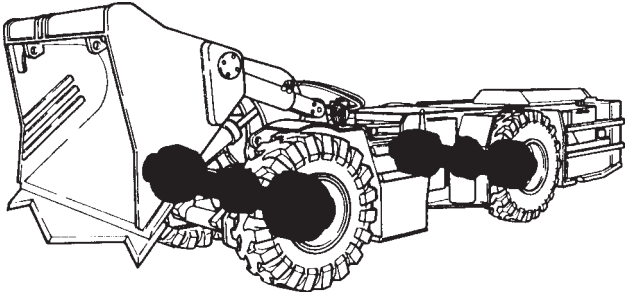
**BOART LONGYEAR  
AARDVARK 4.2 LOAD HAUL DUMPER  
AXLE PLANETARY HUB ASSEMBLY**

Pg 096

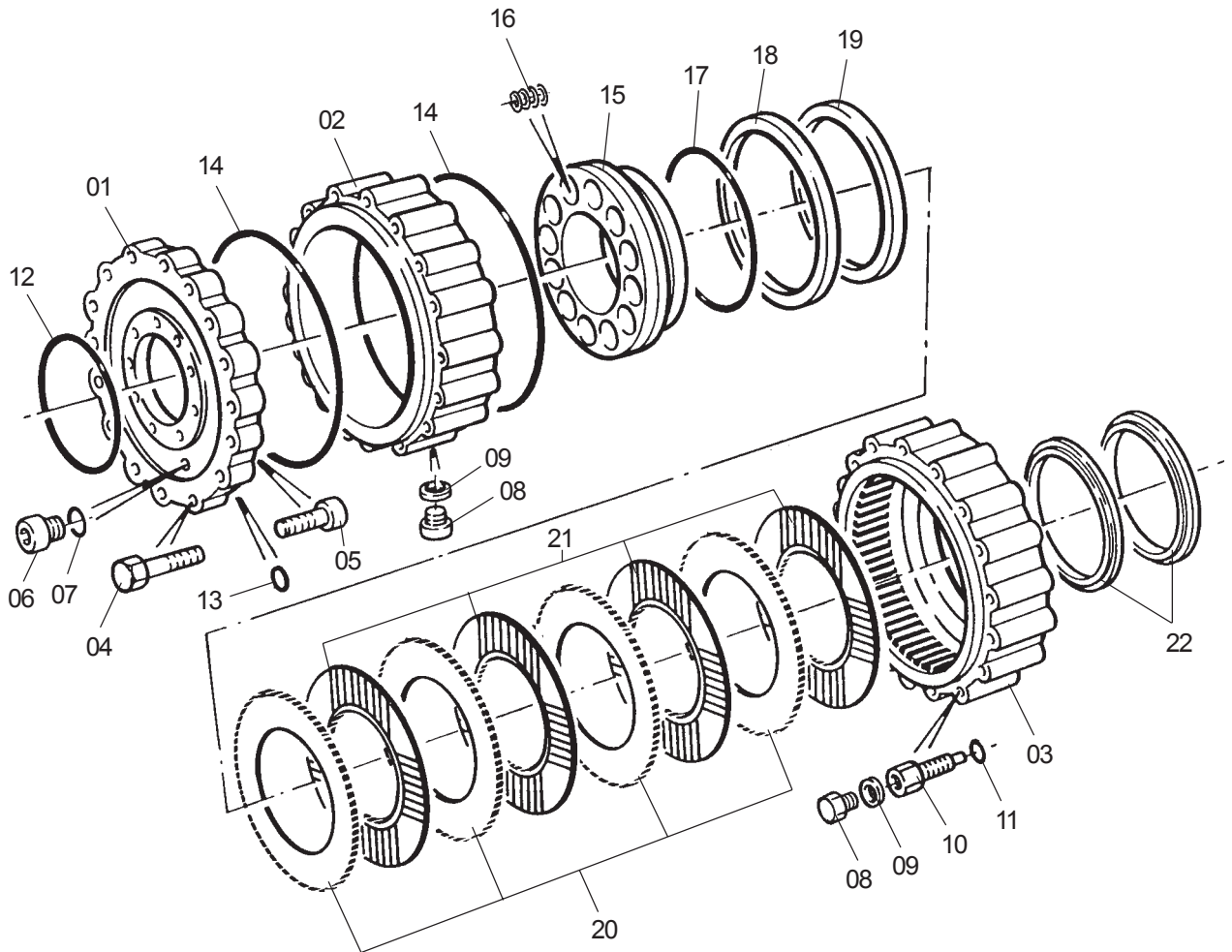
Pos	Item	Comm. No.	See Page	Qty	Part No.	Description	Dwg. No.
P	I						
3650	00			2	<b>GH-91175000</b>	<b>AXLE PLANETARY HUB ASSEMBLY</b>	
	01			1	GH-78757000	CARRIER, Planetary	
	02			6	GH-21139000	SCREW, Cap Soc Hex Hd	
	03			1	GH-22287000	PLUG, Screw	
	04			1	GH-K64378	RING, Sealing	
	05			1	GH-22880000	PLUG, Screw	
	06			1	GH-64003009	RING, Sealing	
	07			1	GH-K63949	O-RING	
	08			1	GH-78761000	GEAR, Ring	
	09			3	GH-59004138	PLATE, Retainer	
	10			6	GH-K63951	SCREW, Hex Hd	
	11			1	GH-59004136	CARRIER, Ring Gear	
	12			4	GH-78758000	PINION, Planetary	
	13			8	GH-78763000	WASHER, Thrust	
	14			12	GH-K63955	BEARING, Needle	
	15			4	GH-K63950	O-RING	
	16			4	GH-78760000	PIN	
	17			4	GH-K63952	PIN, Locking	
	18			1	GH-59004140	RING, Snap	
	19			1	GH-78759000	GEAR, Sun	
	20			1	GH-78764000	RING	
	21			10	GH-59004134	STUD, Wheel	

BOART LONGYEAR  
AARDVARK 4.2 LOAD HAUL DUMPER  
AXLE SPRING LOADED BRAKE ASSEMBLY

DATE:  
REV:



P I  
3660 00



DATE:  
REV:

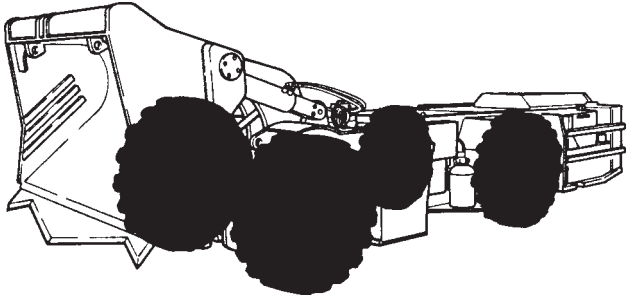
**BOART LONGYEAR  
AARDVARK 4.2 LOAD HAUL DUMPER  
AXLE SPRING LOADED BRAKE ASSEMBLY**

Pg 097

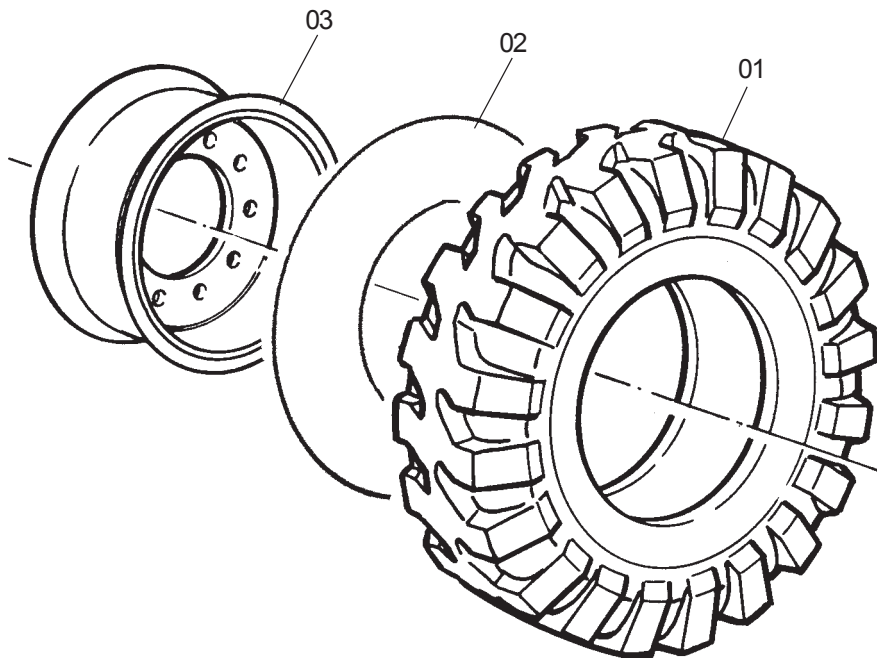
Pos	Item	Comm. No.	See Page	Qty	Part No.	Description	Dwg. No.
P	I						
3660	00			2	<b>GH-91176000</b>	<b>AXLE SPRING LOADED BRAKE ASSEMBLY</b>	
	01			1	GH-91157000	CARRIER	
	02			1	GH-91164000	HOUSING, Intermediate	
	03			1	GH-59004760	HOUSING	
	04			16	GH-91161000	SCREW, Hex Hd	
	05			20	GH-21004000	SCREW, Cap Soc Hex Hd	
	06			1	GH-22214000	PLUG, Screw	
	07			1	GH-64006000	RING, Seal	
	08			2	GH-59004449	PLUG, Screw	
	09			2	GH-64002000	RING, Seal	
	10			1	GH-85135387	ADAPTOR, Socket	
	11			1	GH-64002000	RING, Seal	
	12			1	GH-59003796	O-RING	
	13			2	GH-59004762	O-RING	
	14			2	GH-59004761	O-RING	
	15			1	GH-59004756	PISTON	
	16			12	GH-59004765	SPRING, Compression	
	17			1	GH-59004767	RING, Piston Guide	
	18			1	GH-59004757	GASKET	
	19			1	GH-59004758	GASKET	
	20			4	GH-59004144	DISC, Outer	
	21			4	GH-59004755	DISC, Inner	
	22			1	GH-59004151	SEAL ASSEMBLY	

BOART LONGYEAR  
AARDVARK 4.2 LOAD HAUL DUMPER  
WHEEL ASSEMBLY

DATE:  
REV:



P I  
3700 00





DATE:  
REV:

**BOART LONGYEAR  
AARDVARK 4.2 LOAD HAUL DUMPER  
WHEEL ASSEMBLY**

Pg 098

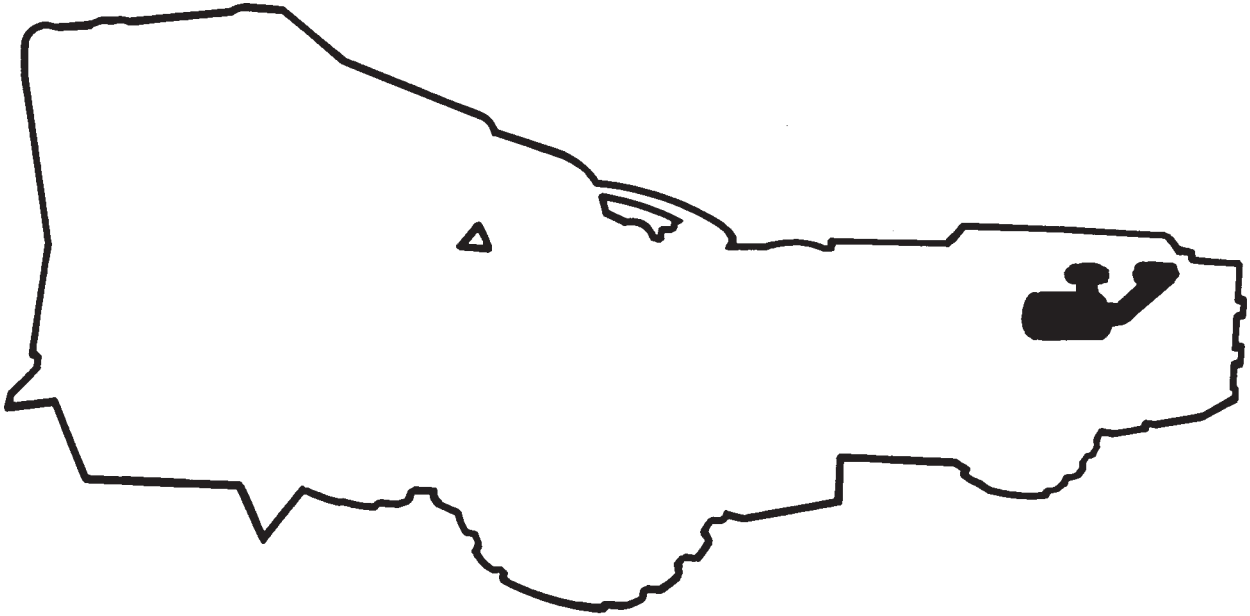
Pos	Item	Comm. No.	See Page	Qty	Part No.	Description	Dwg. No.
P	I						
3700	00			4	<b>UV-84800017</b>	<b>WHEELASSEMBLY</b>	
	01			1	UV-83800016	TYRE, 1200 x 20 Ply	
	02			1	UV-83800002	TUBE, 1200 x 20	
	03			1	GH-K09781	RIM	



**PAGES 099 TO 120 LEFT BLANK  
FOR FUTURE USE**

BOART LONGYEAR  
AARDVARK 4.2 LOAD HAUL DUMPER  
AIR INTAKE AND EXHAUST GROUP

DATE:  
REV:



P I  
4100 00



P I  
4200 00

DATE:  
REV:

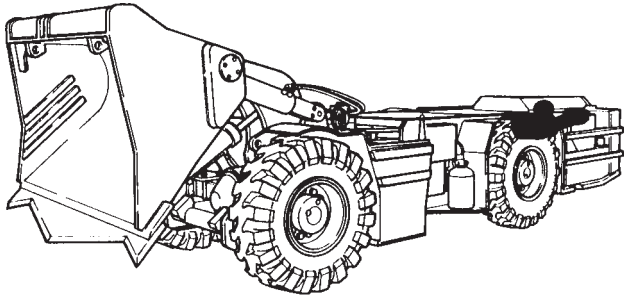
**BOART LONGYEAR  
AARDVARK 4.2 LOAD HAUL DUMPER  
AIR INTAKE AND EXHAUST GROUP**

Pg 121

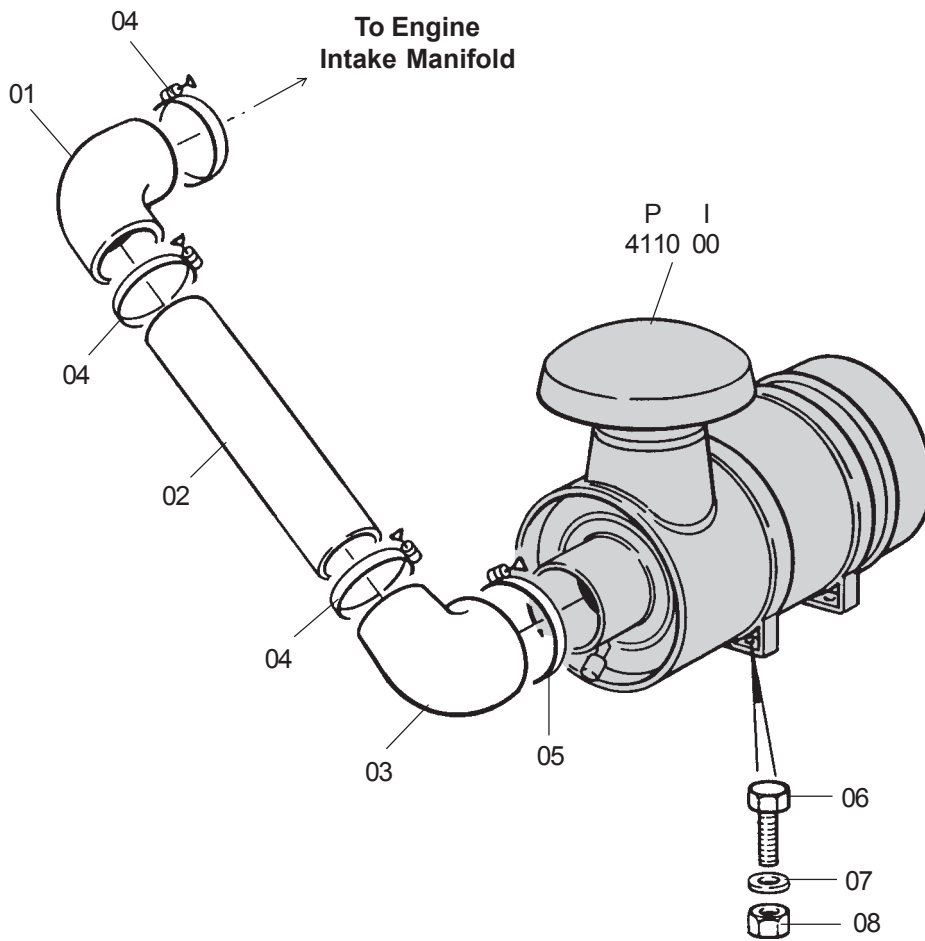
Pos	Item	Comm. No.	See Page	Qty	Part No.	Description	Dwg. No.
P	I						
4000	00			1		AIR INTAKE AND EXHAUST GROUP	
4100	00		122	1	GH-9090202399	AIR INTAKE ASSEMBLY - F6L912W AIR COOLED ENGINE	
4100	00		123	1	UV-0590004	AIR INTAKE ASSEMBLY - BF4M1013 WATER COOLED ENGINE	
4200	00		125	1	GH-9090200829	EXHAUST ASSEMBLY - F6L912W AIR COOLED ENGINE	
4200	00		126	1	UV-0590001	EXHAUST ASSEMBLY - BF4M1013 WATER COOLED ENGINE	

**BOART LONGYEAR  
AARDVARK 4.2 LOAD HAUL DUMPER  
AIR INTAKE ASSEMBLY - F6L912W AIR COOLED ENGINE**

DATE:  
REV:



P I  
4100 00



DATE:  
REV:

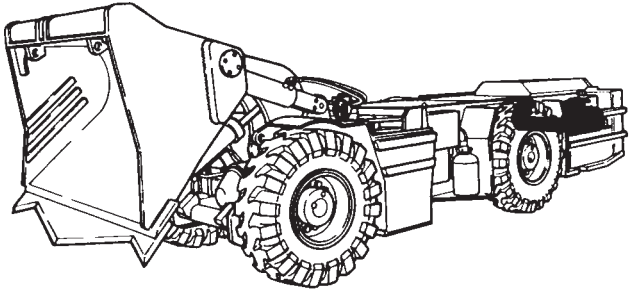
**BOART LONGYEAR  
AARDVARK 4.2 LOAD HAUL DUMPER  
AIR INTAKE ASSEMBLY - F6L912W AIR COOLED ENGINE**

Pg 122

Pos	Item	Comm. No.	See Page	Qty	Part No.	Description	Dwg. No.
P	I						
4100	00			1	<b>GH-9090202399</b>	<b>AIR INTAKE ASSEMBLY - F6L912W AIR COOLED ENGINE</b>	
	01			1	GH-D1430	ELBOW, 90° Reducing	
	02			1	GH-D137210	PIPE	
	03			1	GH-D3284	ELBOW, 90° Reducing	
	04			3	GH-D283576	CLAMP, T-Bolt	
	05			1	GH-D2835108	CLAMP, T-Bolt	
	06			4	GH-20331000	SCREW, Hex Hd	
	07			4	GH-25405000	WASHER, Spring	
	08			4	GH-24182000	NUT, Hex	
4110	00		124	1	<b>GH-FHG090022</b>	<b>AIR CLEANER ASSEMBLY</b>	

**BOART LONGYEAR  
AARDVARK 4.2 LOAD HAUL DUMPER  
AIR INTAKE ASSEMBLY -  
BF4M1013 WATER COOLED ENGINE**

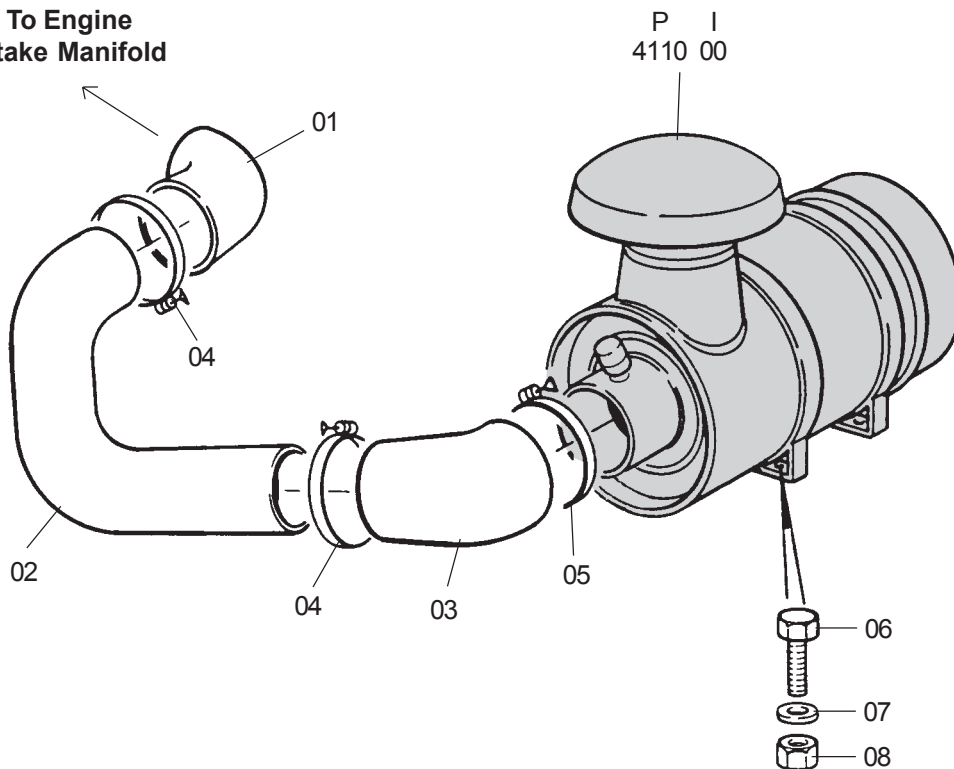
DATE:  
REV:



P I  
4100 00



To Engine  
Intake Manifold





DATE:  
REV:

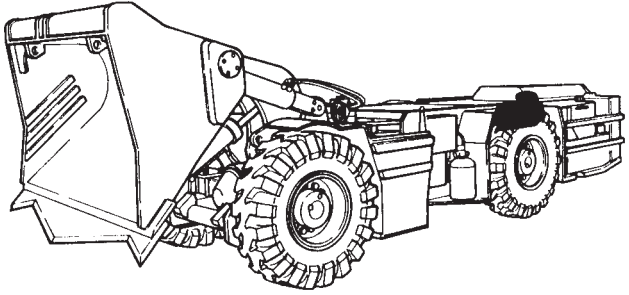
**BOART LONGYEAR  
AARDVARK 4.2 LOAD HAUL DUMPER  
AIR INTAKE ASSEMBLY -  
BF4M1013 WATER COOLED ENGINE**

Pg 123

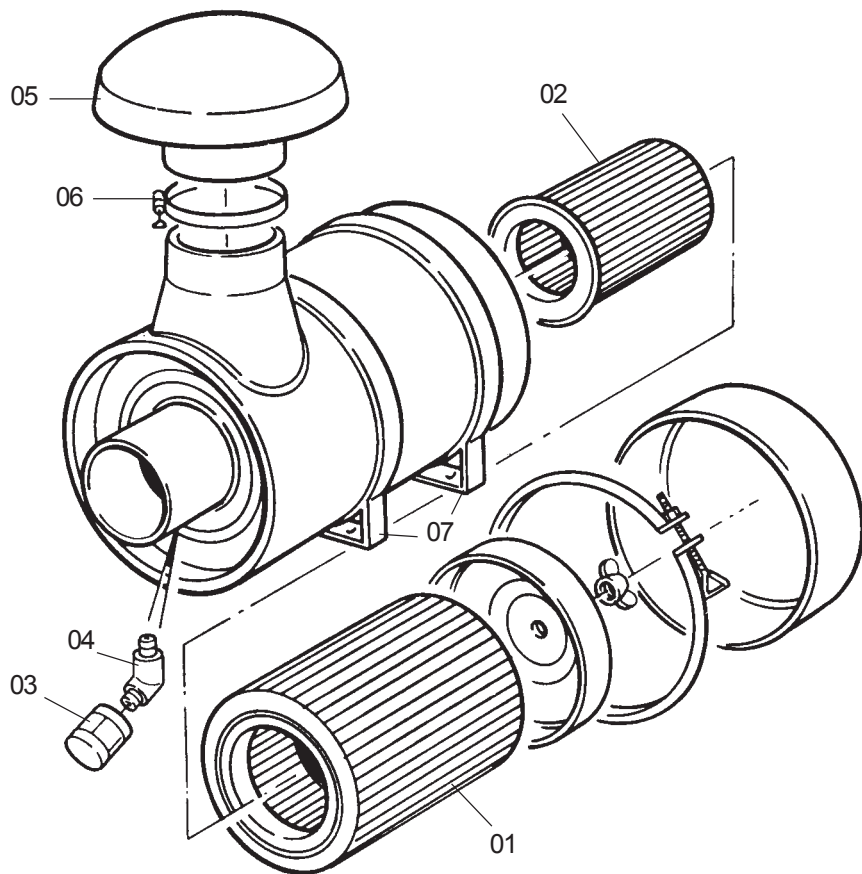
Pos	Item	Comm. No.	See Page	Qty	Part No.	Description	Dwg. No.
P	I						
4100	00			1	<b>UV-0590004</b>	<b>AIR INTAKE ASSEMBLY - BF4M1013 WATER COOLED ENGINE</b>	
	01			1	GH-D1430	ELBOW, 90° Reducing	
	02			1	GH-D1372-10	PIPE	
	03			1	GH-D3284	ELBOW, 90° Reducing	
	04			2	GH-D2835-76	CLAMP, T-Bolt	
	05			1	GH-D2835-108	CLAMP, T-Bolt	
	06			4	GH-20331000	SCREW, Hex Hd	
	07			4	GH-25405000	WASHER, Spring	
	08			4	GH-24182000	NUT, Hex	
4110	00		124	1	<b>GH-FHG090022</b>	<b>AIR CLEANER ASSEMBLY</b>	

BOART LONGYEAR  
AARDVARK 4.2 LOAD HAUL DUMPER  
AIR CLEANER ASSEMBLY

DATE:  
REV:



P I  
4110 00



DATE:  
REV:

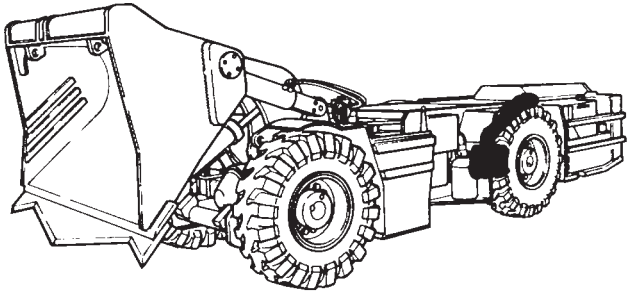
**BOART LONGYEAR  
AARDVARK 4.2 LOAD HAUL DUMPER  
AIR CLEANER ASSEMBLY**

Pg 124

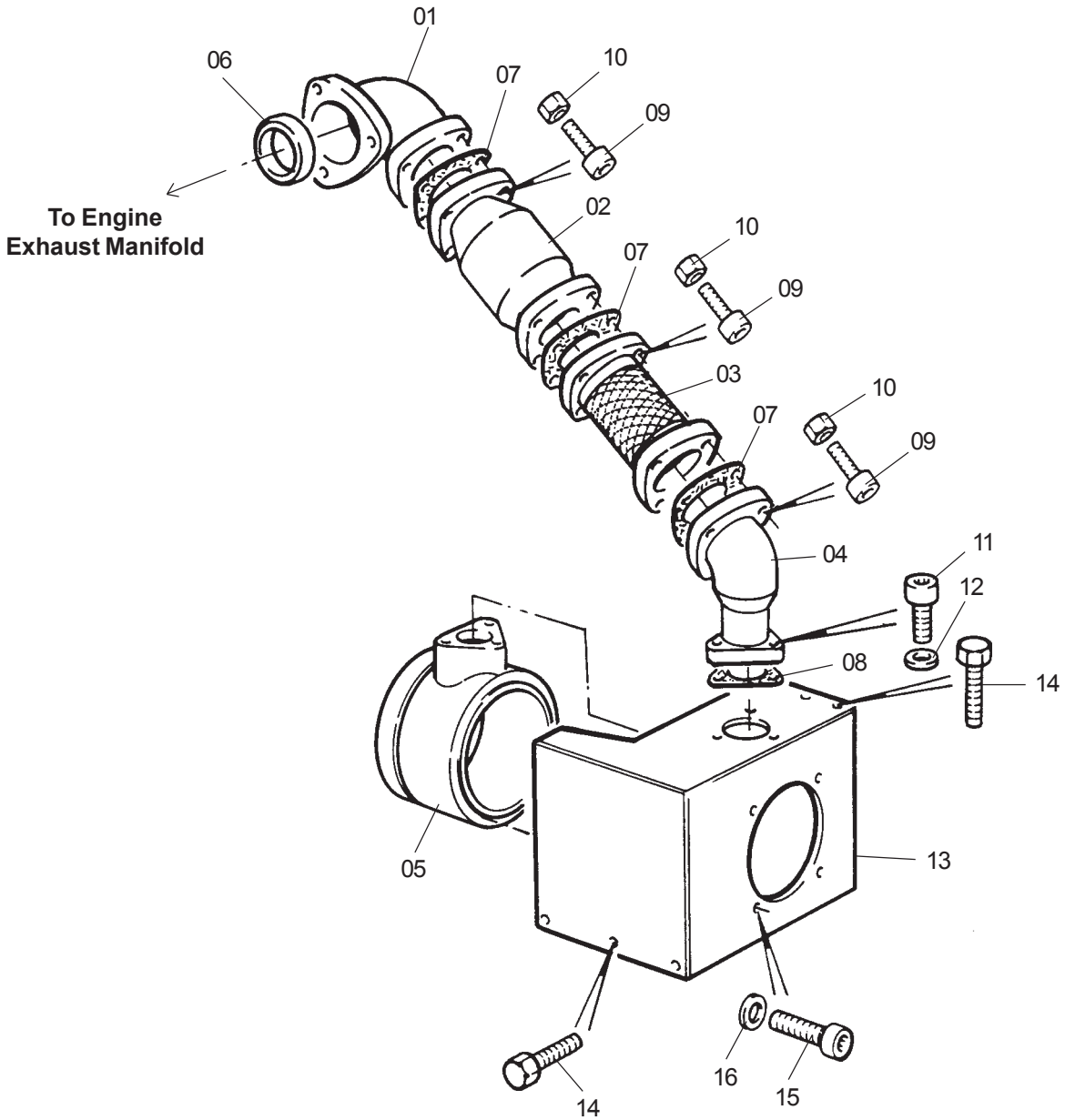
Pos	Item	Comm. No.	See Page	Qty	Part No.	Description	Dwg. No.
P	I						
4110	00			1	<b>GH-FHG090022</b>	<b>AIR CLEANER ASSEMBLY</b>	
	01			1	GH-P120022	ELEMENT, Filter - Primary	
	02			1	GH-P119778	ELEMENT, Filter - Safety	
	03			1	GH-RBX002277	INDICATOR, Restriction	
	04			1	GH-D139711	ADAPTOR, 45° Elbow, Male	
	05			1	GH-GAH000241	HOOD, Inlet	
	06			1	GH-D2835108	CLAMP, T-Bolt	
	07			2	GH-P004073	BAND, Mounting	

**BOART LONGYEAR  
AARDVARK 4.2 LOAD HAUL DUMPER  
EXHAUST ASSEMBLY - F6L912W AIR COOLED ENGINE**

DATE:  
REV:



P I  
4200 00



DATE:  
REV:

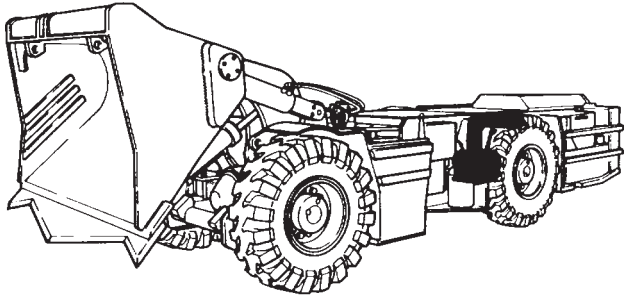
**BOART LONGYEAR  
AARDVARK 4.2 LOAD HAUL DUMPER  
EXHAUST ASSEMBLY - F6L912W AIR COOLED ENGINE**

Pg 125

Pos	Item	Comm. No.	See Page	Qty	Part No.	Description	Dwg. No.
P	I						
4200	00			1	<b>GH-9090200829</b>	<b>EXHAUST ASSEMBLY - F6L912W AIR COOLED ENGINE</b>	
	01			1	GH-9090300830	ELBOW ASSEMBLY, 90°	
	02			1	GH-9090400832	PURIFIER ASSEMBLY, Gas	
	03			1	GH-9090400833	BELLOW ASSEMBLY, Expansion	
	04			1	GH-9090400834	REDUCER ASSEMBLY	
	05			1	GH-F/DILUTER150	DILUTER ASSEMBLY, Fume	
	06			1	GH-3348038	GASKET	
	07			3	GH-9090400859A	GASKET	
	08			1	GH-9090400860	GASKET	
	09			9	GH-21051000	SCREW, Cap Soc Hex Hd	
	10			9	GH-24183000	NUT, Hex	
	11			3	GH-21037000	SCREW, Cap Soc Hex Hd	
	12			3	GH-25405000	WASHER, Spring	
	13			1	GH-9090400819	BRACKET, Fume Diluter	
	14			6	GH-20317000	SCREW, Hex Hd	
	15			4	109-M6-30	SCREW, Cap Soc Hex Hd, M6 x 30 lg	
	16			4	143-M6	WASHER, Spring, Dia. 6	

**BOART LONGYEAR  
AARDVARK 4.2 LOAD HAUL DUMPER  
EXHAUST ASSEMBLY -  
BF4M1013 WATER COOLED ENGINE**

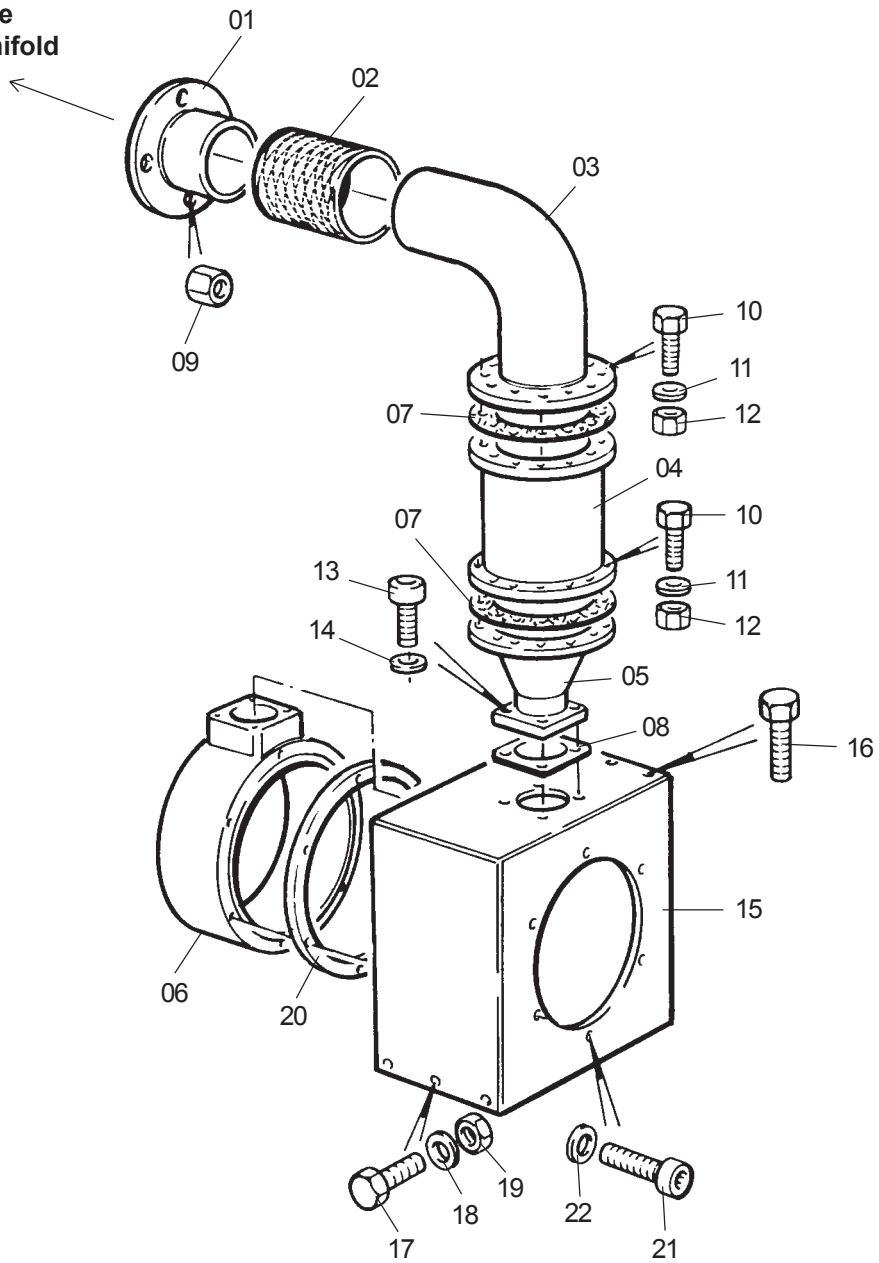
DATE:  
REV:



P I  
4200 00



To Engine  
Exhaust Manifold



DATE:  
REV:

**BOART LONGYEAR  
AARDVARK 4.2 LOAD HAUL DUMPER  
EXHAUST ASSEMBLY -  
BF4M1013 WATER COOLED ENGINE**

Pg 126

Pos	Item	Comm. No.	See Page	Qty	Part No.	Description	Dwg. No.
P	I						
4200	00			1	<b>UV-0590001</b>	<b>EXHAUST ASSEMBLY - BF4M1013 WATER COOLED ENGINE</b>	
	01			1	GH-DFCN65127	INLET ASSEMBLY	
	02			1	GH-BJ127	BELLOWS ASSEMBLY	
	03			1	GH-9DX127	PIPE ASSEMBLY	
	04			1	GH-HEP8FF127	PURIFIER ASSEMBLY, Gas	
	05			1	GH-F127C75	REDUCER ASSEMBLY	
	06			1	GH-200FC	DILUTER ASSEMBLY, Fume	
	07			2	GH-85127AF	GASKET	
	08			1	GH-4H75	GASKET	
	09			4	121-M8	NUT, Hex, M8	
	10			24	102-M6-20	SCREW, Hex Hd, M6 x 20 lg	
	11			24	143-M6	WASHER, Spring, Dia. 6	
	12			24	121-M6	NUT, Hex, M6	
	13			4	109-M10-30	SCREW, Cap Soc Hex Hd, M10 x 30 lg	
	14			4	143-M10	WASHER, Spring, Dia. 10	
	15			1	UV-0590003	BRACKET, Fume Diluter	
	16			3	102-M8-30	SCREW, Hex Hd, M8 x 30 lg	
	17			3	102-M10-22	SCREW, Hex Hd, M10 x 22 lg	
	18			3	141-M10	WASHER, Flat, M10	
	19			3	121-M10	NUT, Hex, M10	
	20			1	GH-8M200	SPACER, Fume Diluter	
	21			6	109-M8-30	SCREW, Cap Soc Hex Hd, M8 x 30 lg	
	22			6	143-M8	WASHER, Spring, Dia. 8	





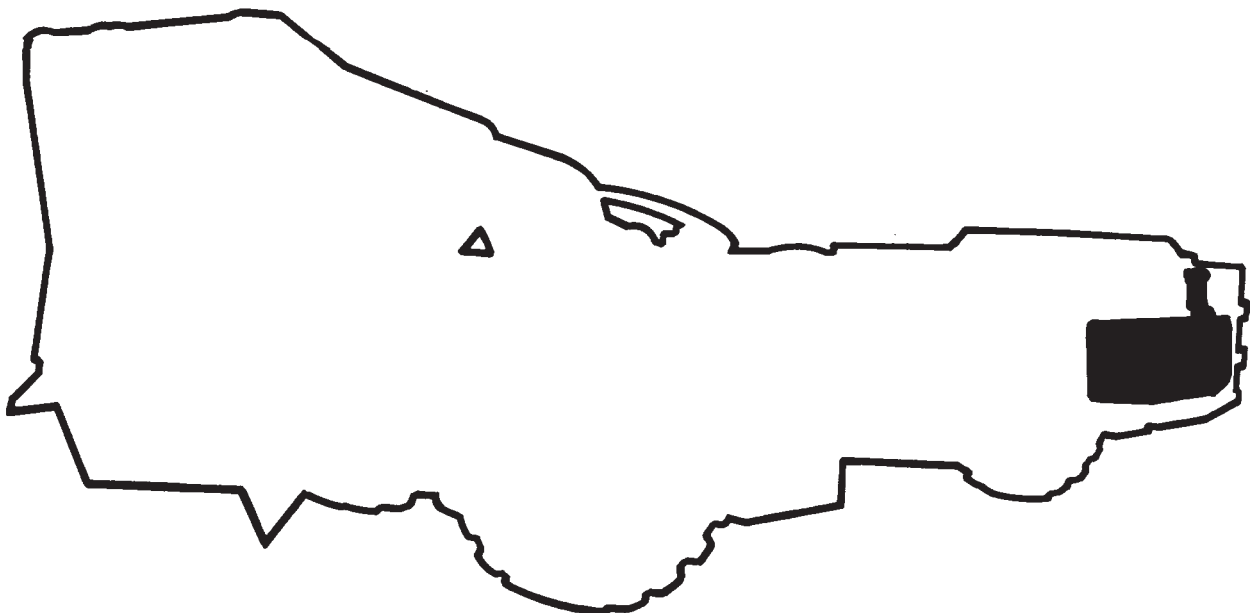
**PAGES 127 TO 130 LEFT BLANK  
FOR FUTURE USE**

BOART LONGYEAR  
AARDVARK 4.2 LOAD HAUL DUMPER  
FUEL GROUP

DATE:  
REV:



P I  
6100 00



P I  
6200 00

DATE:  
REV:

**BOART LONGYEAR  
AARDVARK 4.2 LOAD HAUL DUMPER  
FUEL GROUP**

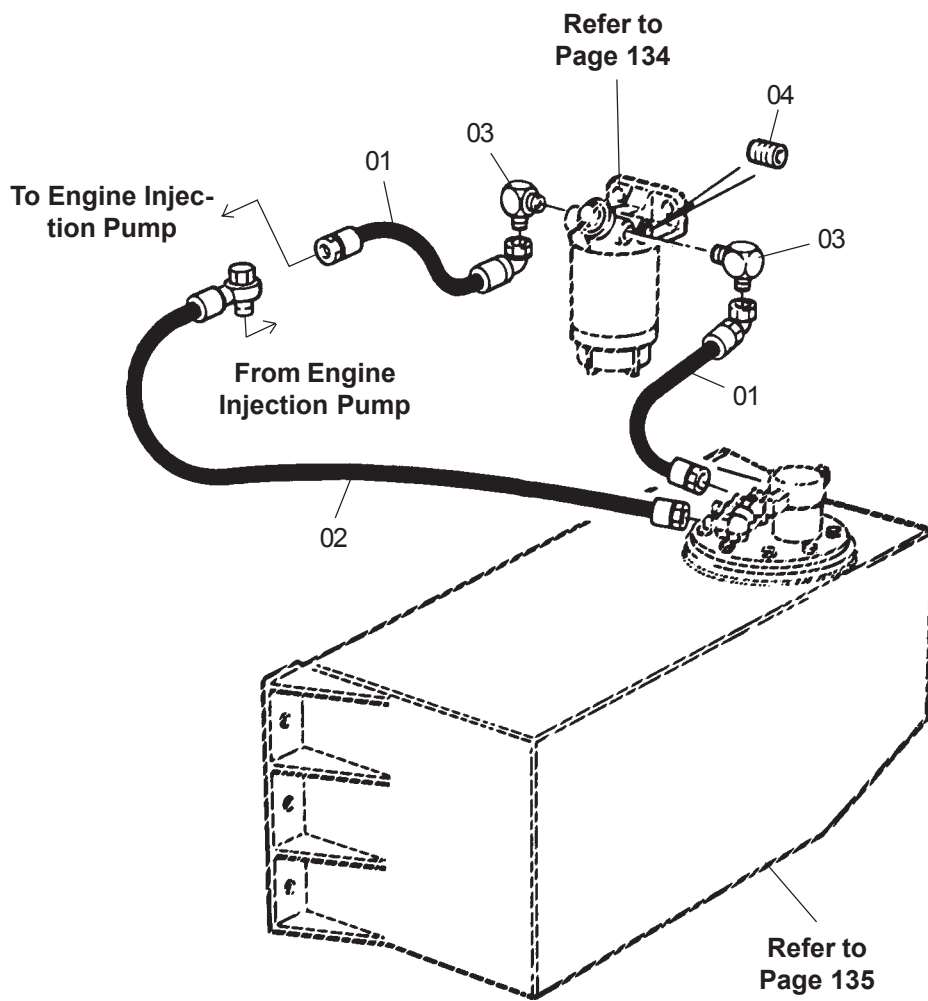
Pg 131

Pos	Item	Comm. No.	See Page	Qty	Part No.	Description	Dwg. No.
P	I						
6000	00			1		FUEL GROUP	
6100	00		132	1		FUEL CIRCUIT ASSEMBLY	
6200	00		133	1		FUEL EQUIPMENT ASSEMBLY	

BOART LONGYEAR  
AARDVARK 4.2 LOAD HAUL DUMPER  
FUEL CIRCUIT ASSEMBLY

DATE:  
REV:

P I  
6100 00



DATE:  
REV:

**BOART LONGYEAR  
AARDVARK 4.2 LOAD HAUL DUMPER  
FUEL CIRCUIT ASSEMBLY**

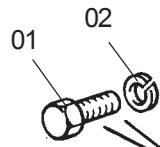
Pg 132

Pos	Item	Comm. No.	See Page	Qty	Part No.	Description	Dwg. No.
P	I						
6100	00			1		<b>FUEL CIRCUIT ASSEMBLY</b>	
	01			2		HOSE ASSEMBLY, 1/2" - 1/2" JIC 90° Elbow End - 1/2" JIC Straight End - 440 lg	
	02			1		HOSE ASSEMBLY, 3/8" - 3/8" JIC Straight End - 14 Banjo End - 900 lg	
	03			2		ADAPTOR, 90° Elbow, Male, 3/8" NPT - 1/2" JIC	
	04			2		PLUG, Soc Hex Hd, Male, 3/8" NPT	

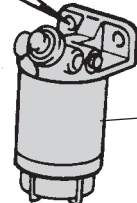
BOART LONGYEAR  
AARDVARK 4.2 LOAD HAUL DUMPER  
FUEL EQUIPMENT ASSEMBLY

DATE:  
REV:

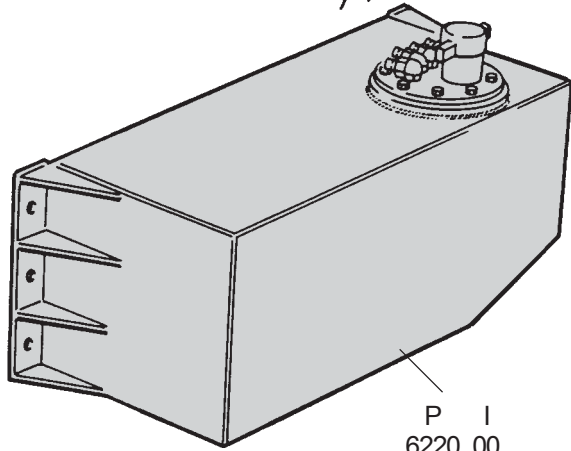
P I  
6200 00



P I  
6210 00



P I  
6220 00



DATE:  
REV:

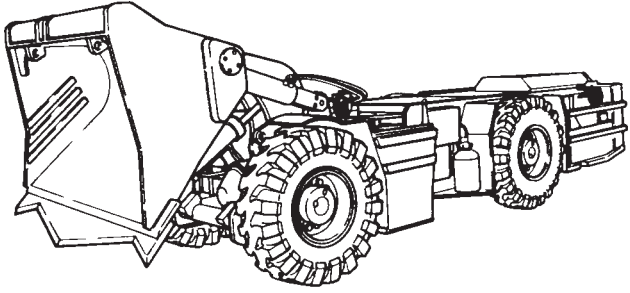
**BOART LONGYEAR  
AARDVARK 4.2 LOAD HAUL DUMPER  
FUEL EQUIPMENT ASSEMBLY**

Pg 133

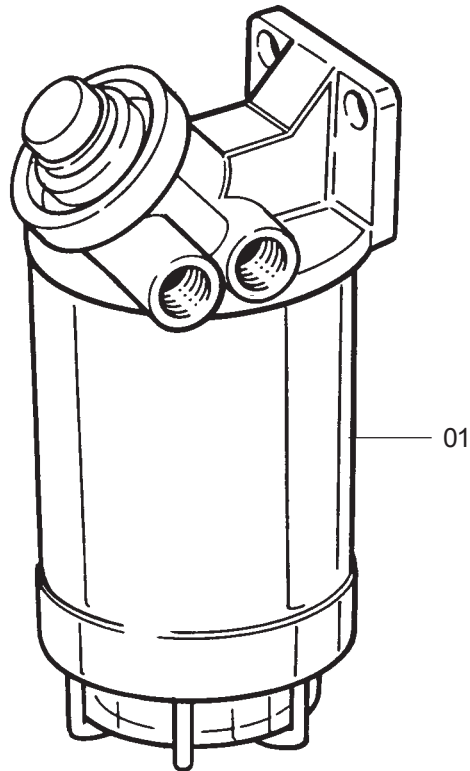
Pos	Item	Comm. No.	See Page	Qty	Part No.	Description	Dwg. No.
P	I						
6200	00			1		<b>FUEL EQUIPMENT ASSEMBLY</b>	
	01			2	102-M10-40	SCREW, Hex Hd, M10 x 40 lg	
	02			2	143-M10	WASHER, Spring, Dia. 10	
6210	00		134	1	<b>UV-82100201</b>	<b>FUEL FILTER ASSEMBLY</b>	
6220	00		135	1	<b>GH-9091036189</b>	<b>FUEL TANK ASSEMBLY</b>	

BOART LONGYEAR  
AARDVARK 4.2 LOAD HAUL DUMPER  
FUEL FILTER ASSEMBLY

DATE:  
REV:



P I  
6210 00





DATE:  
REV:

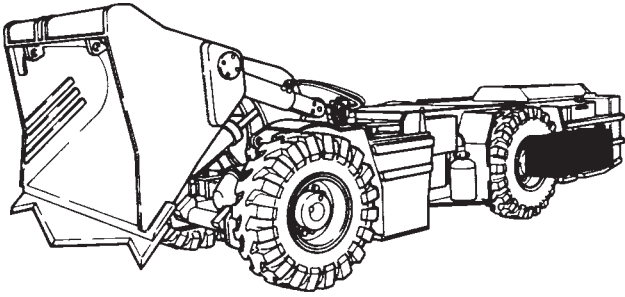
**BOART LONGYEAR  
AARDVARK 4.2 LOAD HAUL DUMPER  
FUEL FILTER ASSEMBLY**

Pg 134

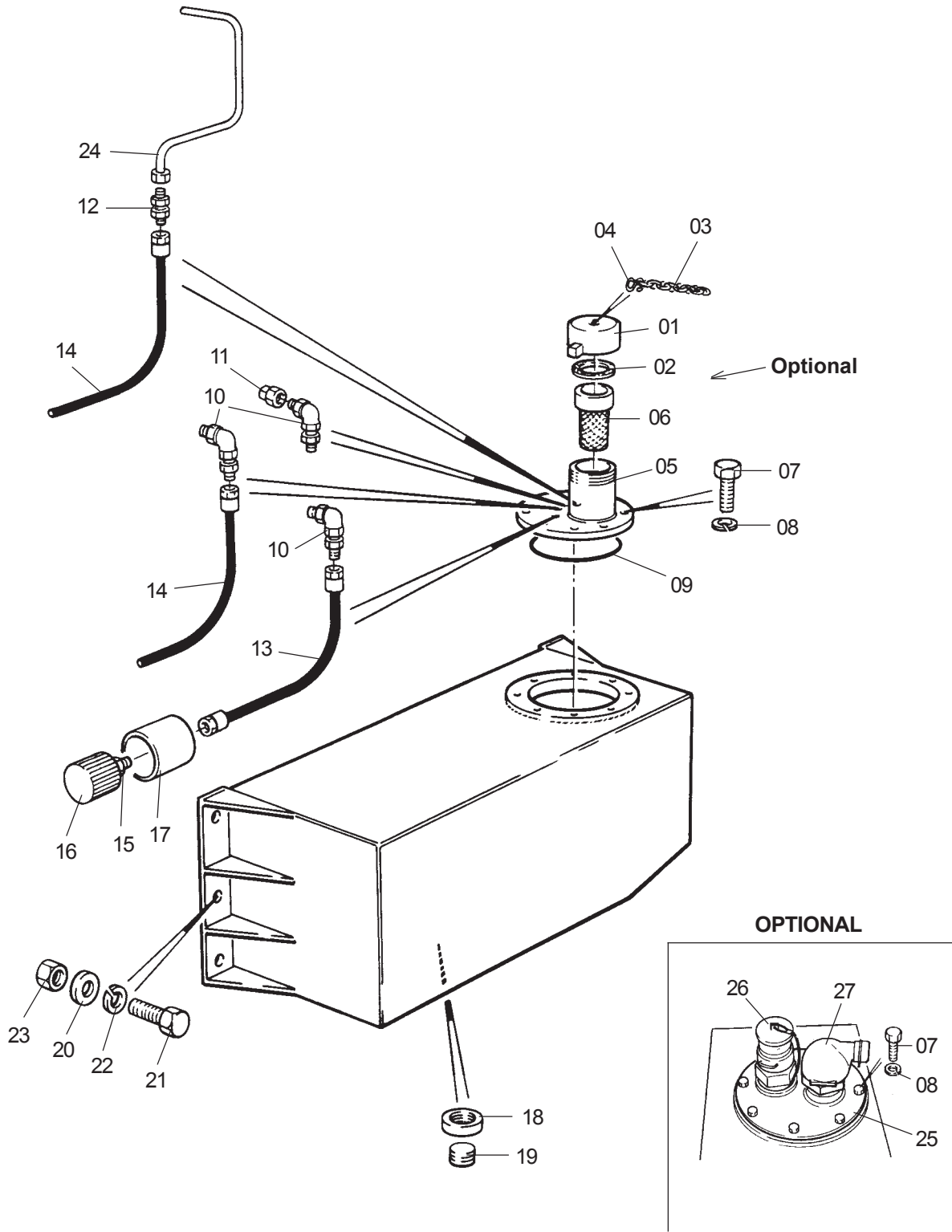
Pos Item P I	Comm. No.	See Page	Qty	Part No.	Description	Dwg. No.
6210 00 01			1 1	UV-82100201 UV-82100202	<b>FUEL FILTERASSEMBLY</b> ELEMENT, Filter  <b>Note:</b> Supplied as a unit	

# BOART LONGYEAR AARDVARK 4.2 LOAD HAUL DUMPER FUEL TANK ASSEMBLY

DATE:  
REV:



P I  
6220 00



DATE:  
REV:

**BOART LONGYEAR  
AARDVARK 4.2 LOAD HAUL DUMPER  
FUEL TANK ASSEMBLY**

Pg 135

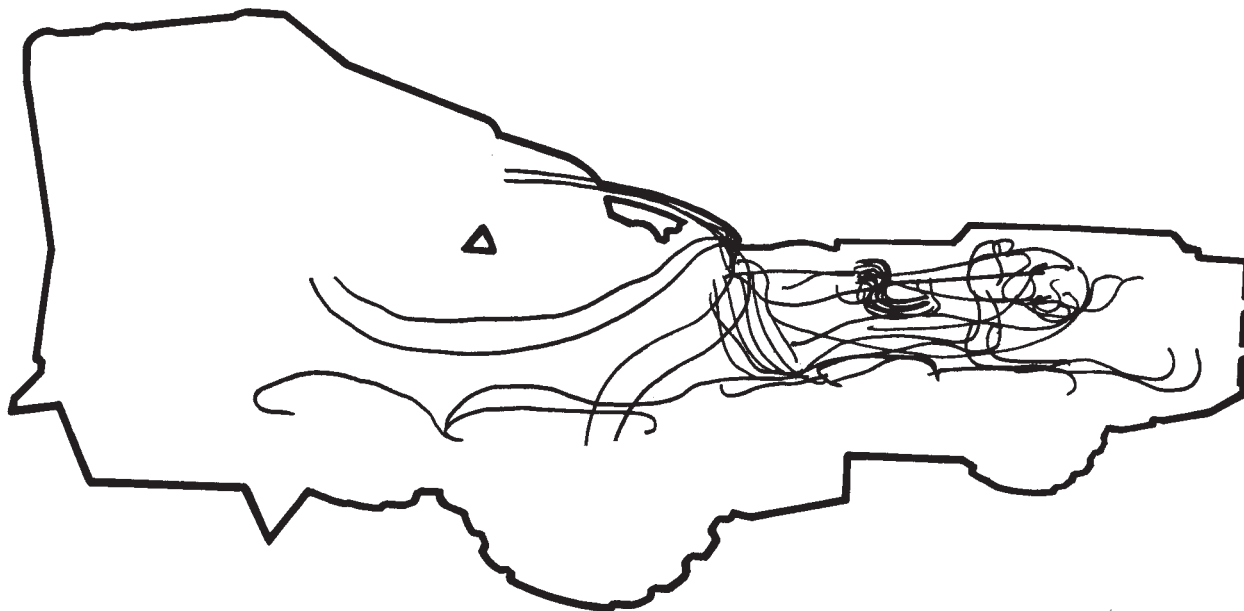
Pos	Item	Comm. No.	See Page	Qty	Part No.	Description	Dwg. No.
P	I						
6220	00			1	<b>GH-9091036189</b>	<b>FUEL TANK ASSEMBLY</b>	
	01			1	GH-9094031440	CAP	
	02			1	GH-65193000	GASKET	
	03			1	GH-29740000	CHAIN - Welded	
	04			1	GH-9094005536A	S-HOOK	
	05			1	GH-9093027115D	NOZZLE, Filling	
	06			1	GH-87829000	FILTER, Strainer	
	07			8	GH-20331000	SCREW, Hex Hd	
	08			8	GH-25405000	WASHER, Spring	
	09			1	GH-64337000	O-RING	
	10			3	GH-90594000	ADAPTOR, 90° Elbow Bulkhead, Male	
	11			1	GH-90595000	PLUG, Blanking	
	12			1	GH-90538000	ADAPTOR, Bulkhead, Male	
	13			1	GH-90458000	HOSE ASSEMBLY	
	14			2	GH-90457000	HOSE ASSEMBLY	
	15			1	GH-90585000	ADAPTOR, Straight, Male	
	16			1	GH-87836000	FILTER, Suction	
	17			1	GH-909040926	PROTECTION, Filter	
	18			1	GH-32117000	SOCKET - Welded	
	19			1	GH-K08652	PLUG, Drain	
	20			6	GH-9094026826	SPACER	
	21			6	GH-20351000	SCREW, Hex Hd	
	22			6	GH-25408000	WASHER, Spring	
	23			6	GH-24181000	NUT, Hex	
	24			1	GH-90324000	PIPE, Breather	
						<b>OPTIONAL</b>	
	25			1		NOZZLE, Filling	
	26			1	9000061	RECIEVERASSEMBLY	
	27			1	9000062	BREATHERASSEMBLY	



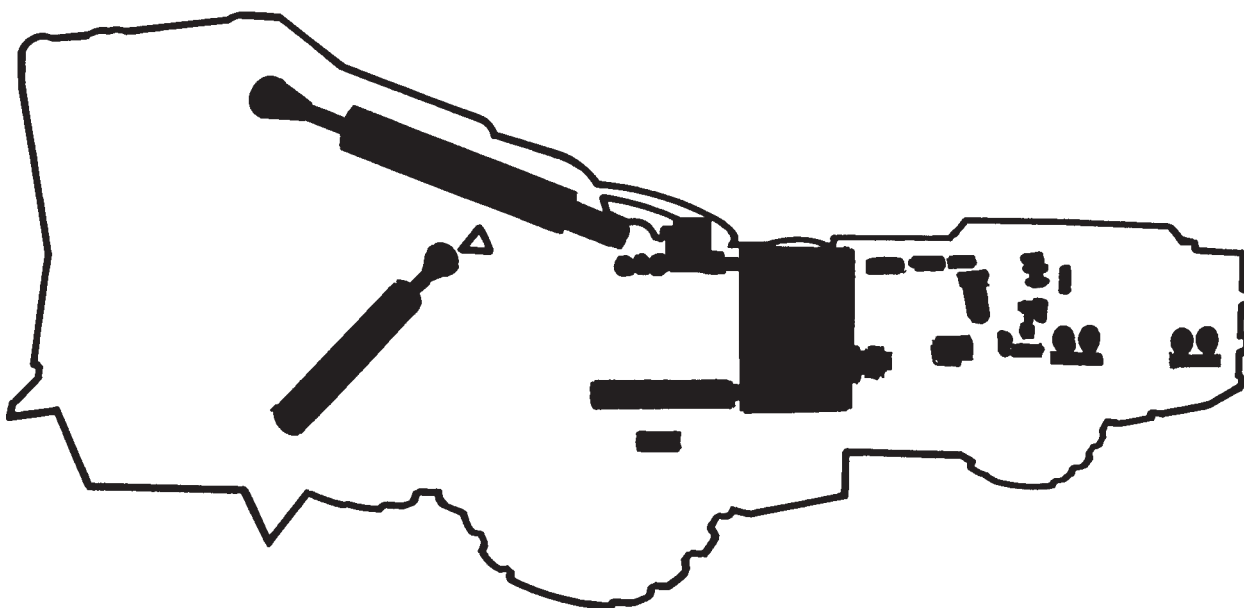
**PAGES 136 TO 140 LEFT BLANK  
FOR FUTURE USE**

BOART LONGYEAR  
AARDVARK 4.2 LOAD HAUL DUMPER  
HYDRAULIC GROUP

DATE:  
REV:



P I  
7100 00



P I  
7200 00

DATE:  
REV:

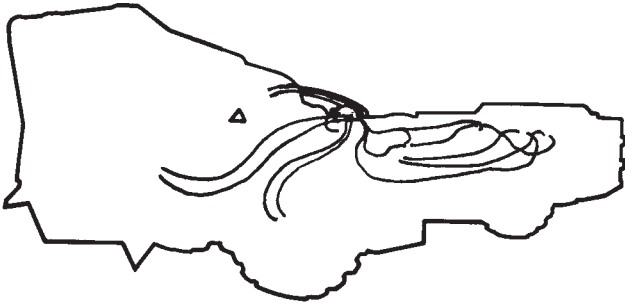
**BOART LONGYEAR  
AARDVARK 4.2 LOAD HAUL DUMPER  
HYDRAULIC GROUP**

Pg 141

Pos	Item	Comm. No.	See Page	Qty	Part No.	Description	Dwg. No.
P	I						
7000	00			1		HYDRAULIC GROUP	
7100	00		142	1		HYDRAULIC CIRCUIT ASSEMBLY	
7200	00		149	1		HYDRAULIC EQUIPMENT ASSEMBLY	
<p><b>NOTE:</b> Manufacturers Hydraulic Schematic Diagrams are located at the back of this group</p>							

BOART LONGYEAR  
AARDVARK 4.2 LOAD HAUL DUMPER  
HYDRAULIC CIRCUIT ASSEMBLY

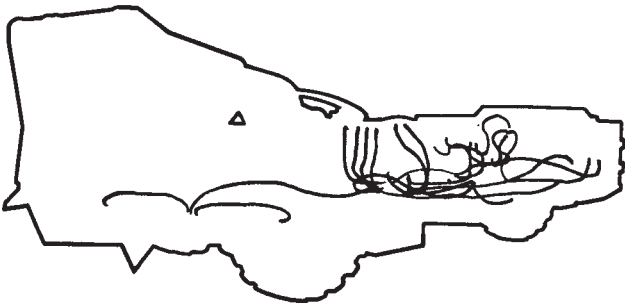
DATE:  
REV:



P I  
7110 00



P I  
7120 00



P I  
7130 00



DATE:  
REV:

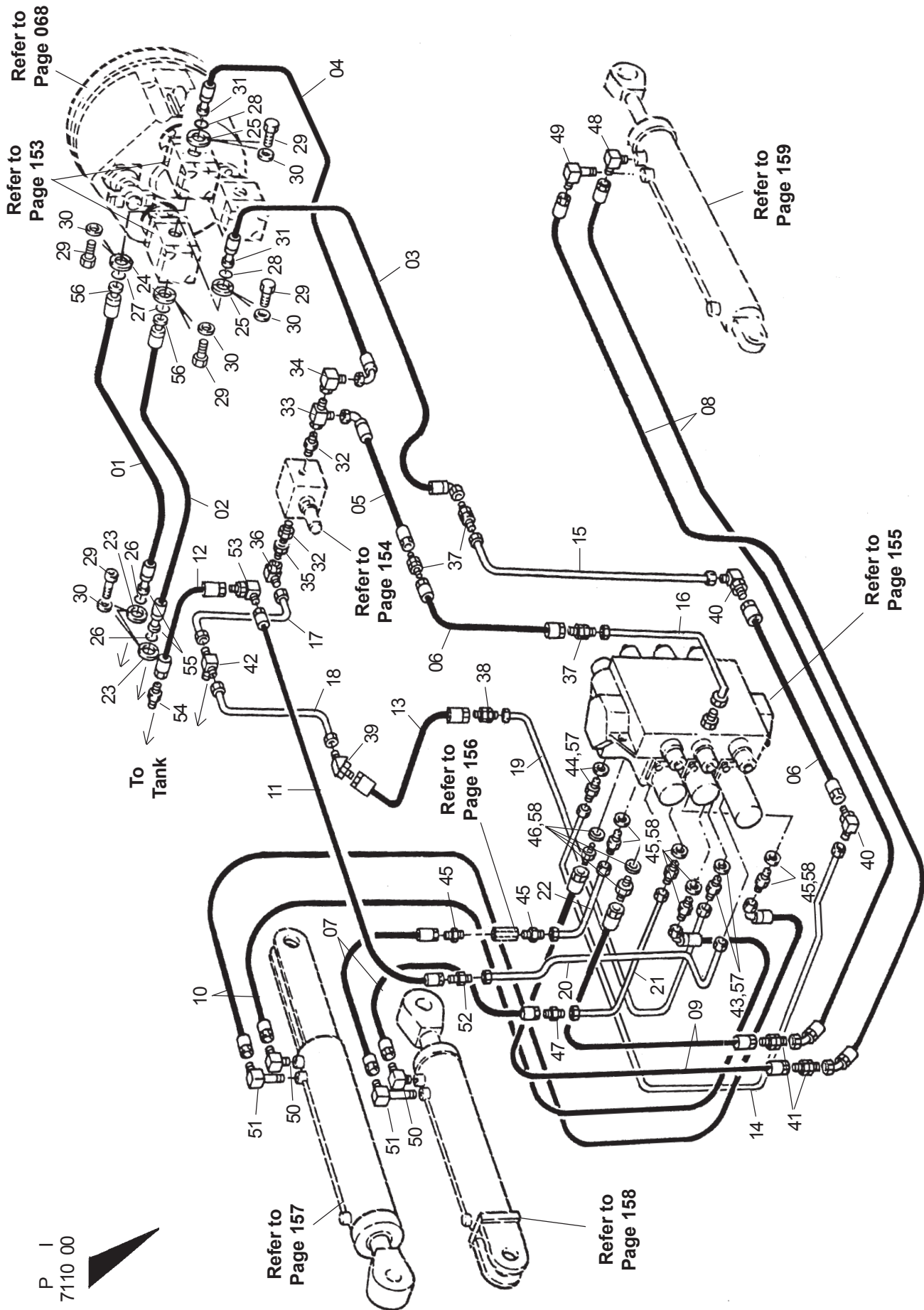
**BOART LONGYEAR  
AARDVARK 4.2 LOAD HAUL DUMPER  
HYDRAULIC CIRCUIT ASSEMBLY**

Pg 142

Pos	Item	Comm. No.	See Page	Qty	Part No.	Description	Dwg. No.
P	I						
7100	00			1		HYDRAULIC CIRCUIT ASSEMBLY	
7110	00		143	1	GH-909020995	HYDRAULIC CIRCUIT ASSEMBLY - DUMP/HOIST/STEERING	
7120	00		145	1	GH-9090201874	HYDRAULIC CIRCUIT ASSEMBLY - TORQUE CONVERTOR/TRANSMISSION	
7130	00		146	1	GH-909020993	HYDRAULIC CIRCUIT ASSEMBLY - BRAKE	

# BOART LONGYEAR AARDVARK 4.2 LOAD HAUL DUMPER HYDRAULIC CIRCUIT ASSEMBLY - DUMP/HOIST/STEERING

DATE:  
REV:



DATE:  
REV:

**BOART LONGYEAR  
AARDVARK 4.2 LOAD HAUL DUMPER  
HYDRAULIC CIRCUIT ASSEMBLY -  
DUMP/HOIST/STEERING**

Pg 143

Pos	Item	Comm. No.	See Page	Qty	Part No.	Description	Dwg. No.
P	I						
7110	00			1	<b>GH-909020995</b>	<b>HYDRAULIC CIRCUIT ASSEMBLY - DUMP/HOIST/STEERING</b>	
	01			1		HOSE ASSEMBLY, Dia. 1" - 1 1/4" Straight End - 1" 90° Elbow End - 2080 lg	
	02			1		HOSE ASSEMBLY, Dia. 1" - 1 1/4" Straight End - 1" 90° Elbow End - 1700 lg	
	03			1		HOSE ASSEMBLY, Dia. 3/4" - 3/4" JIC Straight End - 3/4" JIC 90° Elbow End - 460 lg	
	04			1		HOSE ASSEMBLY, Dia. 3/4" - 3/4" JIC Straight End - 3/4" JIC 90° Elbow End - 1100 lg	
	05			1		HOSE ASSEMBLY, Dia. 3/4" - 3/4" JIC Straight End - 3/4" JIC 90° Elbow End - 740 lg	
	06			2		HOSE ASSEMBLY, Dia. 3/4" - 3/4" JIC Straight End - 3/4" JIC Straight End - 740 lg	
	07			2		HOSE ASSEMBLY, Dia. 3/4" - 3/4" JIC Straight End - 3/4" JIC Straight End - 960 lg	
	08			2		HOSE ASSEMBLY, Dia. 1/2" - 1/2" JIC Straight End - 1/2" JIC 45° Elbow End - 1500 lg	
	09			2		HOSE ASSEMBLY, Dia. 1/2" - 1/2" JIC Straight End - 1/2" JIC 45° Elbow End - 1200 lg	
	10			2		HOSE ASSEMBLY, Dia. 3/4" - 3/4" JIC Straight End - 3/4" JIC 90° Elbow End - 1350 lg	
	11			1		HOSE ASSEMBLY, Dia. 3/8" - 3/8" JIC Straight End - 3/8" JIC Straight End - 700 lg	
	12			1		HOSE ASSEMBLY, Dia. 3/8" - 3/8" JIC Straight End - 3/8" JIC Straight End - 350 lg	
	13			1		HOSE ASSEMBLY, Dia. 1" - 1" JIC Straight End - 1" JIC Straight End - 340 lg	
	14			1	GH-90301000	PIPE ASSEMBLY, 20 x 2 x 1280 lg	
	14			1	GH-90301000F	PIPE ASSEMBLY, 20 x 2 x 500 lg	
	14			1	GH-90301000G	PIPE ASSEMBLY, 20 x 2 x 320 lg	
	14			1	GH-90301000H	PIPE ASSEMBLY, 20 x 2 x 620 lg	
	15			1	GH-90302000	PIPE ASSEMBLY, 20 x 2 x 1280 lg	
	16			1	GH-90303000	PIPE ASSEMBLY, 20 x 2 x 800 lg	
	17			1	GH-90304000	PIPE ASSEMBLY, 25 x 2 x 310 lg	
	17			1	GH-90304000I	PIPE ASSEMBLY, 25 x 2 x 750 lg	
	17			1	GH-90304000J	PIPE ASSEMBLY, 25 x 2 x 410 lg	
	18			1	GH-90305000	PIPE ASSEMBLY	
	19			1	GH-90313000	PIPE ASSEMBLY	
	20			1	GH-90307000	PIPE ASSEMBLY	
	21			1	GH-90311000	PIPE ASSEMBLY	
	22			1	GH-90312000	PIPE ASSEMBLY	
	23			4	GH-90560000	FLANGE, Split, Dia. 1 1/4"	
	24			4	GH-90559000	FLANGE, Split, Dia. 1"	
	25			4	GH-90575000	FLANGE, Split, Dia. 3/4"	
	26			2	GH-90574000	O-RING	
	27			2	GH-90573000	O-RING	
	28			2	GH-90590000	O-RING	
	29			24	GH-21038000	SCREW, Cap Soc Hex Hd, M10 x 35 lg, Gr 8,8	
	30			24	GH-25405000	WASHER, Spring, Dia. 10	
	31			2		ADAPTOR, Straight Flanged, 3/4" Flange - 3/4" JIC	
	32			2		ADAPTOR, Reducer, Male, 1/2" BSP - 3/4" JIC	
	33			1		ADAPTOR, T-Piece, Male/Male/Female, 3/4" JIC	
	34			1		ADAPTOR, 90° Elbow, Male/Female, 3/4" JIC	

**BOART LONGYEAR  
AARDVARK 4.2 LOAD HAUL DUMPER  
HYDRAULIC CIRCUIT ASSEMBLY -  
DUMP/HOIST/STEERING**

DATE:  
REV:

Refer to  
Page 068

Refer to  
Page 153

Refer to  
Page 159

To  
Tank

Refer to  
Page 154

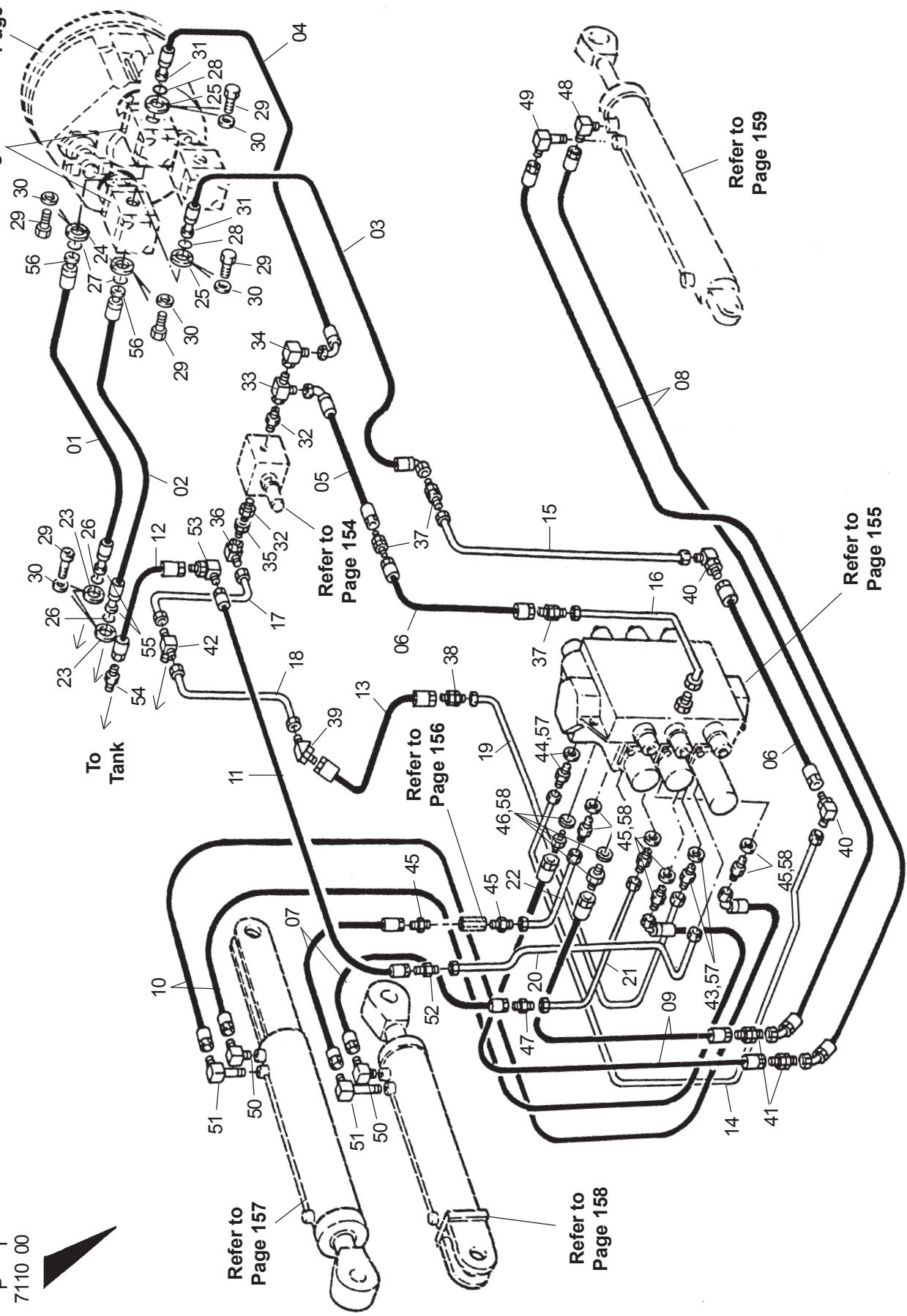
Refer to  
Page 156

Refer to  
Page 155

P I  
7110 00

Refer to  
Page 157

Refer to  
Page 158



DATE:  
REV:

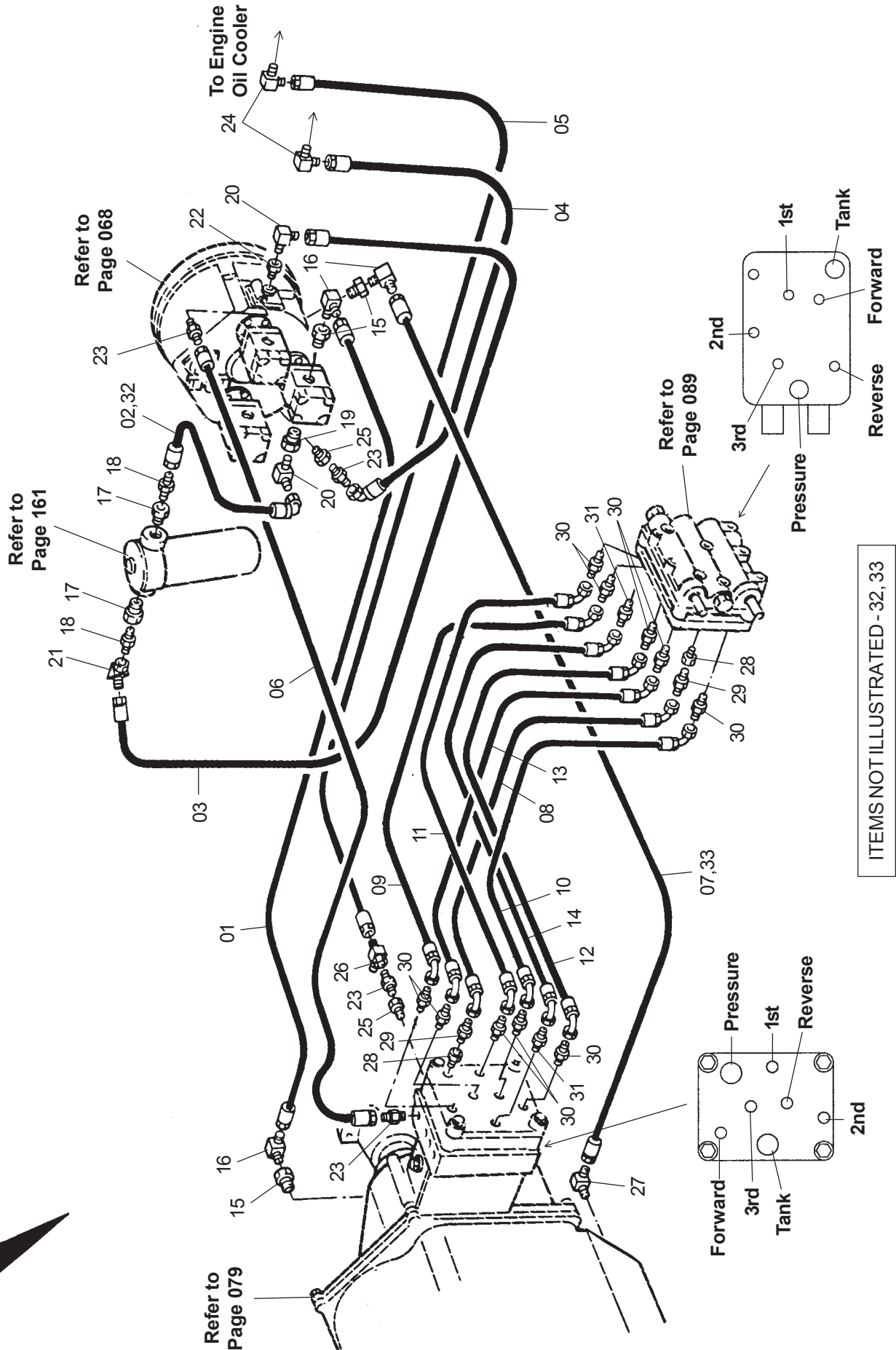
**BOART LONGYEAR  
AARDVARK 4.2 LOAD HAUL DUMPER  
HYDRAULIC CIRCUIT ASSEMBLY -  
DUMP/HOIST/STEERING - CONT.**

Pg 144

Pos	Item	Comm. No.	See Page	Qty	Part No.	Description	Dwg. No.
P	I						
7110	00			1	<b>GH-909020995</b>	<b>HYDRAULIC CIRCUIT ASSEMBLY - DUMP/HOIST/STEERING - CONT.</b>	
	35			1		ADAPTOR, Reducer, Male/Female, 1" JIC - 3/4" JIC	
	36			1		ADAPTOR, 90° Elbow, Male/Female, 1" JIC	
	37			3		ADAPTOR, Straight Bulkhead, Male, 3/4" JIC	
	38			1		ADAPTOR, Straight Bulkhead, Male, 1" JIC	
	39			1		ADAPTOR, 45° Elbow Bulkhead, Male, 1" JIC	
	40			2		ADAPTOR, 90° Elbow Bulkhead, Male, 3/4" JIC	
	41			2		ADAPTOR, Straight Bulkhead, Male, 1/2" JIC	
	42			1		ADAPTOR, T-Piece, Male, 1" BSP - 1" JIC - 1" JIC	
	43			1		ADAPTOR, Straight, Male, 1" BSP - 1" JIC	
	44			1		ADAPTOR, Straight, Male, 1" BSP - 3/4" JIC	
	45			6		ADAPTOR, Straight, Male, 3/4" BSP - 3/4" JIC	
	46			2		ADAPTOR, Straight, Male, 3/4" BSP - 1/2" JIC	
	47			1		ADAPTOR, Straight, Male, 3/4" JIC	
	48			1		ADAPTOR, 90° Elbow, Male, 1/2" BSP - 1/2" JIC	
	49			1		ADAPTOR, 90° Extended Elbow, Male, 1/2" BSP - 1/2" JIC	
	50			2		ADAPTOR, 90° Elbow, Male, 3/4" BSP - 3/4" JIC	
	51			2		ADAPTOR, 90° Extended Elbow, Male, 3/4" BSP - 3/4" JIC	
	52			1		ADAPTOR, Straight Bulkhead, Male, 3/8" JIC	
	53			1		ADAPTOR, 90° Elbow Bulkhead, Male, 3/8" JIC	
	54			1		ADAPTOR, Reducer, Male, 1/2" BSP - 3/8" JIC	
	55			2		ADAPTOR, Straight Flanged, 1 1/4" Flange - 1 1/4" JIC	
	56			2		ADAPTOR, Straight Flanged, 1" Flange - 1" JIC	
	57			2		WASHER, Seal, Dia. 1"	
	58			6		WASHER, Seal, Dia. 3/4"	

# BOART LONGYEAR AARDVARK 4.2 LOAD HAUL DUMPER HYDRAULIC CIRCUIT ASSEMBLY - TORQUE CONVERTOR/TRANSMISSION

DATE:  
REV:



P I  
7120 00



DATE:  
REV:

**BOART LONGYEAR  
AARDVARK 4.2 LOAD HAUL DUMPER  
HYDRAULIC CIRCUIT ASSEMBLY -  
TORQUE CONVERTOR/TRANSMISSION**

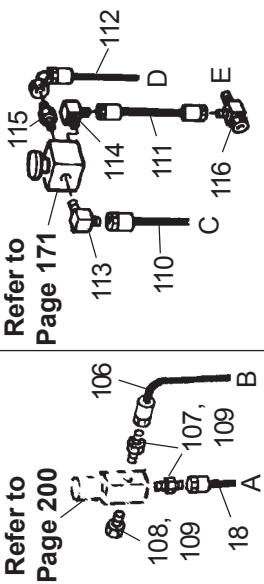
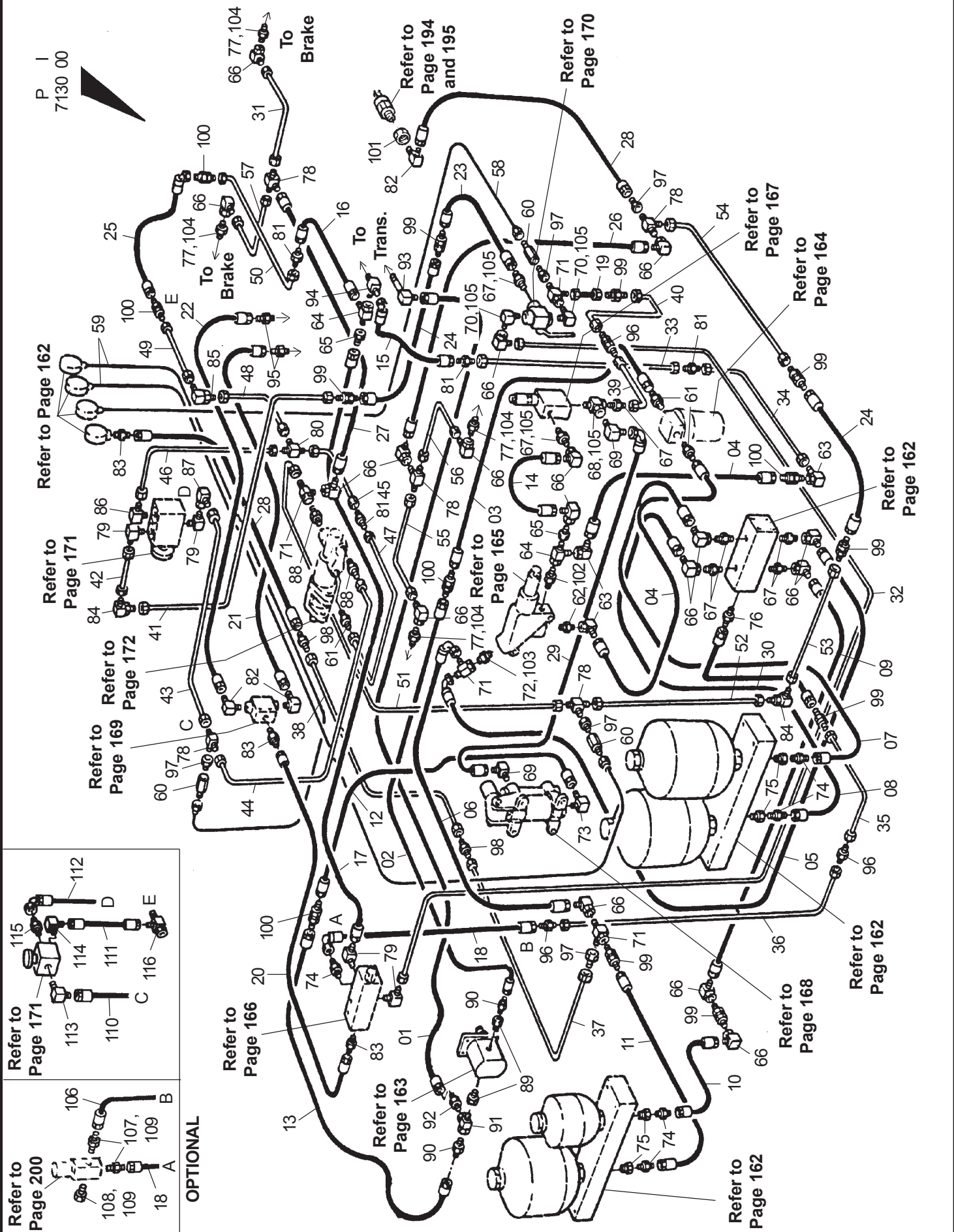
Pg 145

Pos	Item	Comm. No.	See Page	Qty	Part No.	Description	Dwg. No.
P	I						
7120	00			1	<b>GH-9090201874</b>	<b>HYDRAULIC CIRCUIT ASSEMBLY - TORQUE CONVERTOR/TRANSMISSION</b>	
	01			1		HOSE ASSEMBLY, Dia. 1" - 1" JIC Straight End - 1" JIC Straight End - 2000 lg	
	02			1		HOSE ASSEMBLY, Dia. 3/4" - 3/4" JIC Straight End - 3/4" JIC 90° Elbow End - 700 lg	
	03			1		HOSE ASSEMBLY, Dia. 3/4" - 3/4" JIC Straight End - 3/4" JIC Straight End - 500 lg	
	04			1		HOSE ASSEMBLY, Dia. 3/4" - 3/4" JIC Straight End - 3/4" JIC 90° Elbow End - 750 lg	
	05			1		HOSE ASSEMBLY, Dia. 3/4" - 3/4" JIC Straight End - 3/4" JIC Straight End - 1800 lg	
	06			1		HOSE ASSEMBLY, Dia. 3/4" - 3/4" JIC Straight End - 3/4" JIC Straight End - 1300 lg	
	07			1		HOSE ASSEMBLY, Dia. 1" - 1" JIC Straight End - 3/4" JIC Straight End - 1700 lg	
	08			1		HOSE ASSEMBLY, Dia. 1/2" - 1/2" JIC 90° Elbow End - 1/2" JIC 90° Elbow End - 500 lg	
	09			1		HOSE ASSEMBLY, Dia. 3/8" - 3/8" JIC 90° Elbow End - 3/8" JIC 90° Elbow End - 220 lg	
	10			1		HOSE ASSEMBLY, Dia. 3/8" - 3/8" JIC 90° Elbow End - 3/8" JIC 90° Elbow End - 300 lg	
	11			1		HOSE ASSEMBLY, Dia. 3/8" - 3/8" JIC 90° Elbow End - 3/8" JIC 90° Elbow End - 360 lg	
	12			1		HOSE ASSEMBLY, Dia. 3/8" - 3/8" JIC 90° Elbow End - 3/8" JIC 90° Elbow End - 470 lg	
	13			1		HOSE ASSEMBLY, Dia. 3/8" - 3/8" JIC 90° Elbow End - 3/8" JIC 90° Elbow End - 600 lg	
	14			1		HOSE ASSEMBLY, Dia. 1/2" - 1/2" JIC 90° Elbow End - 1/2" JIC 90° Elbow End - 580 lg	
	15			3		ADAPTOR, Connector, Male/Female, 1" BSP - 1" JIC	
	16			3		ADAPTOR, 90° Elbow, Male, 1" JIC	
	17			2		ADAPTOR, Connector, Male/Female, 1 1/4" BSP - 1" JIC	
	18			2		ADAPTOR, Straight, Male, 1" JIC - 3/4" JIC	
	19			1		ADAPTOR, Connector, Male/Female, 3/4" BSP - 3/4" JIC	
	20			2		ADAPTOR, 90° Elbow, Male, 3/4" JIC	
	21			1		ADAPTOR, 45° Elbow, Male/Female, 3/4" JIC	
	22			1		ADAPTOR, Connector, Male/Female, 1" BSP - 3/4" JIC	
	23			4		ADAPTOR, Straight, Male, 3/4" BSP - 3/4" JIC	
	24			2		ADAPTOR, 90° Elbow, Male, 16 x 1,5 - 3/4" JIC	
	25			2		ADAPTOR, Connector, Male/Female, 3/4" BSP	
	26			1		ADAPTOR, T-Piece, Male/Male/Female, 3/4" JIC	
	27			1		ADAPTOR, 90° Elbow, Male, 1" BSP - 1" JIC	
	28			2		ADAPTOR, Connector, Male/Female, 1/2" O-SAE - 1/2" JIC	
	29			2		ADAPTOR, Straight, Male, 1/2" JIC	
	30			10		ADAPTOR, Straight, Male, 3/8" O-SAE - 3/8" JIC	
	31			2		ADAPTOR, Straight, Male, 1/2" NPT - 1/2" JIC	
	32			1	GH-87977000	CLAMP, Tube (Not Illustrated)	
	33			1	GH-87846000	CLAMP, Tube (Not Illustrated)	

BOART LONGYEAR  
AARDVARK 4.2 LOAD HAUL DUMPER  
HYDRAULIC CIRCUIT ASSEMBLY - BRAKE

DATE:  
REV:

P I  
7130 00





DATE:  
REV:

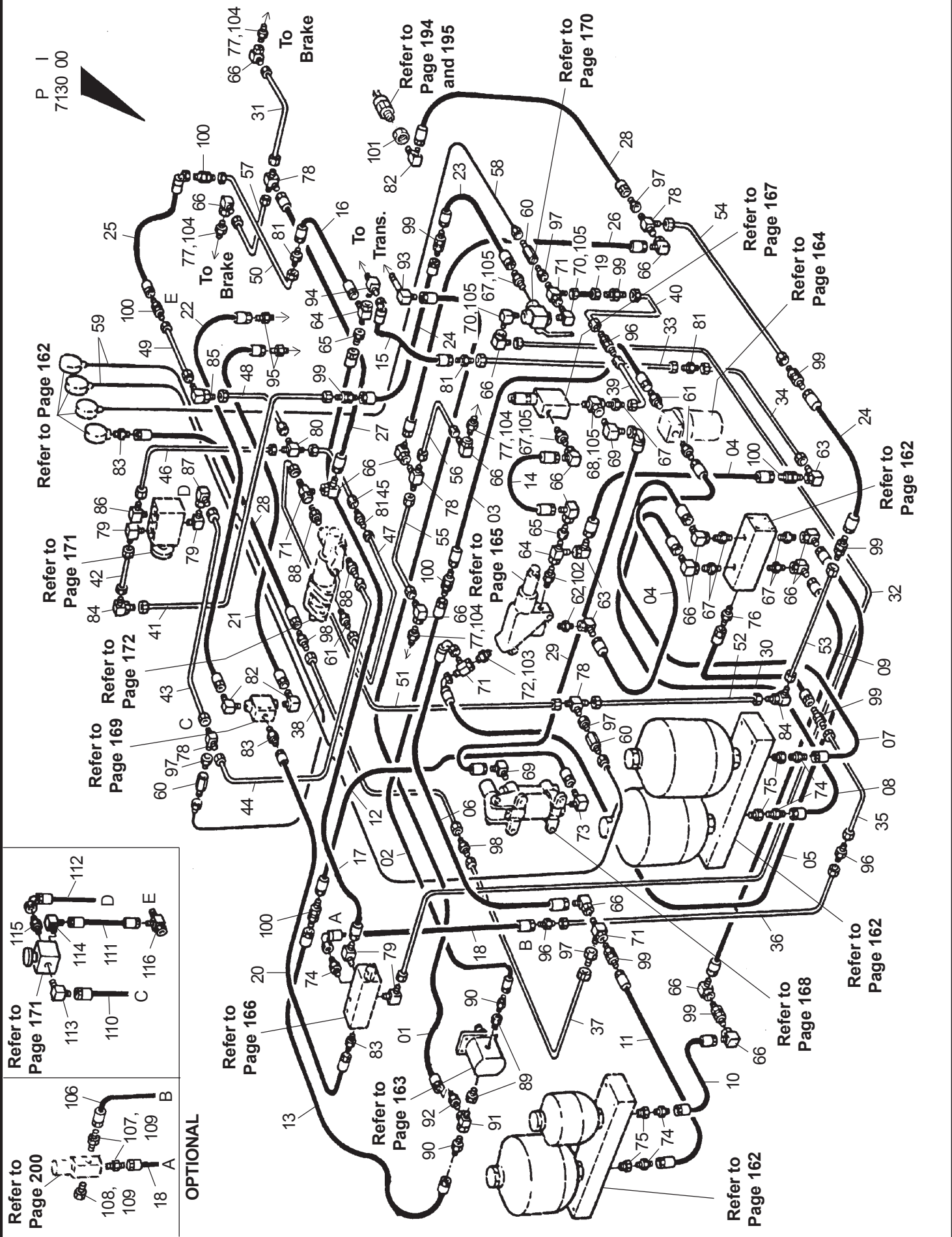
**BOART LONGYEAR  
AARDVARK 4.2 LOAD HAUL DUMPER  
HYDRAULIC CIRCUIT ASSEMBLY - BRAKE**

Pg 146

Pos	Item	Comm. No.	See Page	Qty	Part No.	Description	Dwg. No.
P	I						
7130	00			1	<b>GH-909020993</b>	<b>HYDRAULIC CIRCUIT ASSEMBLY - BRAKE</b>	
	01			1		HOSE ASSEMBLY, Dia. 3/4" - 3/4" JIC Straight End - 3150 lg	
	02			1		HOSE ASSEMBLY, Dia. 1/2" - 1/2" JIC Straight End - 370 lg	
	03			1		HOSE ASSEMBLY, Dia. 1/2" - 1/2" JIC Straight End - 130 lg	
	04			2		HOSE ASSEMBLY, Dia. 1/2" - 1/2" JIC Straight End - 420 lg	
	05			1		HOSE ASSEMBLY, Dia. 3/8" - 3/8" JIC Straight End - 320 lg	
	06			1		HOSE ASSEMBLY, Dia. 3/8" - 3/8" JIC Straight End - 420 lg	
	07			1		HOSE ASSEMBLY, Dia. 3/8" - 3/8" JIC Straight End - 810 lg	
	08			1		HOSE ASSEMBLY, Dia. 3/8" - 3/8" JIC Straight End - 710 lg	
	09			1		HOSE ASSEMBLY, Dia. 3/8" - 3/8" JIC Straight End - 600 lg	
	10			1		HOSE ASSEMBLY, Dia. 3/8" - 3/8" JIC Straight End - 1600 lg	
	11			1		HOSE ASSEMBLY, Dia. 3/8" - 3/8" JIC Straight End - 1420 lg	
	12			1		HOSE ASSEMBLY, Dia. 1/2" - 1/2" JIC Straight End - 550 lg	
	13			1		HOSE ASSEMBLY, Dia. 1/2" - 1/2" JIC Straight End - 1200 lg	
	14			1		HOSE ASSEMBLY, Dia. 3/8" - 3/8" JIC Straight End - 260 lg	
	15			1		HOSE ASSEMBLY, Dia. 1/2" - 1/2" JIC Straight End - 700 lg	
	16			1		HOSE ASSEMBLY, Dia. 1/2" - 1/2" JIC Straight End - 500 lg	
	17			1		HOSE ASSEMBLY, Dia. 3/8" - 3/8" JIC Straight End - 500 lg	
	18			1		HOSE ASSEMBLY, Dia. 3/8" - 3/8" JIC Straight End - 300 lg	
	19			1		HOSE ASSEMBLY, Dia. 3/8" - 3/8" JIC Straight End - 450 lg	
	20			1		HOSE ASSEMBLY, Dia. 1/4" - 1/4" JIC Straight End - 400 lg	
	21			1		HOSE ASSEMBLY, Dia. 1/4" - 1/4" JIC Straight End - 250 lg	
	22			1		HOSE ASSEMBLY, Dia. 1/4" - 1/4" JIC Straight End - 300 lg	
	23			1		HOSE ASSEMBLY, Dia. 3/8" - 3/8" JIC Straight End - 1900 lg	
	24			2		HOSE ASSEMBLY, Dia. 3/8" - 3/8" JIC Straight End - 660 lg	
	25			1		HOSE ASSEMBLY, Dia. 1/2" - 1/2" JIC Straight End - 660 lg	
	26			1		HOSE ASSEMBLY, Dia. 3/8" - 3/8" JIC Straight End - 470 lg	

# BOART LONGYEAR AARDVARK 4.2 LOAD HAUL DUMPER HYDRAULIC CIRCUIT ASSEMBLY - BRAKE

DATE:  
REV:



DATE:  
REV:

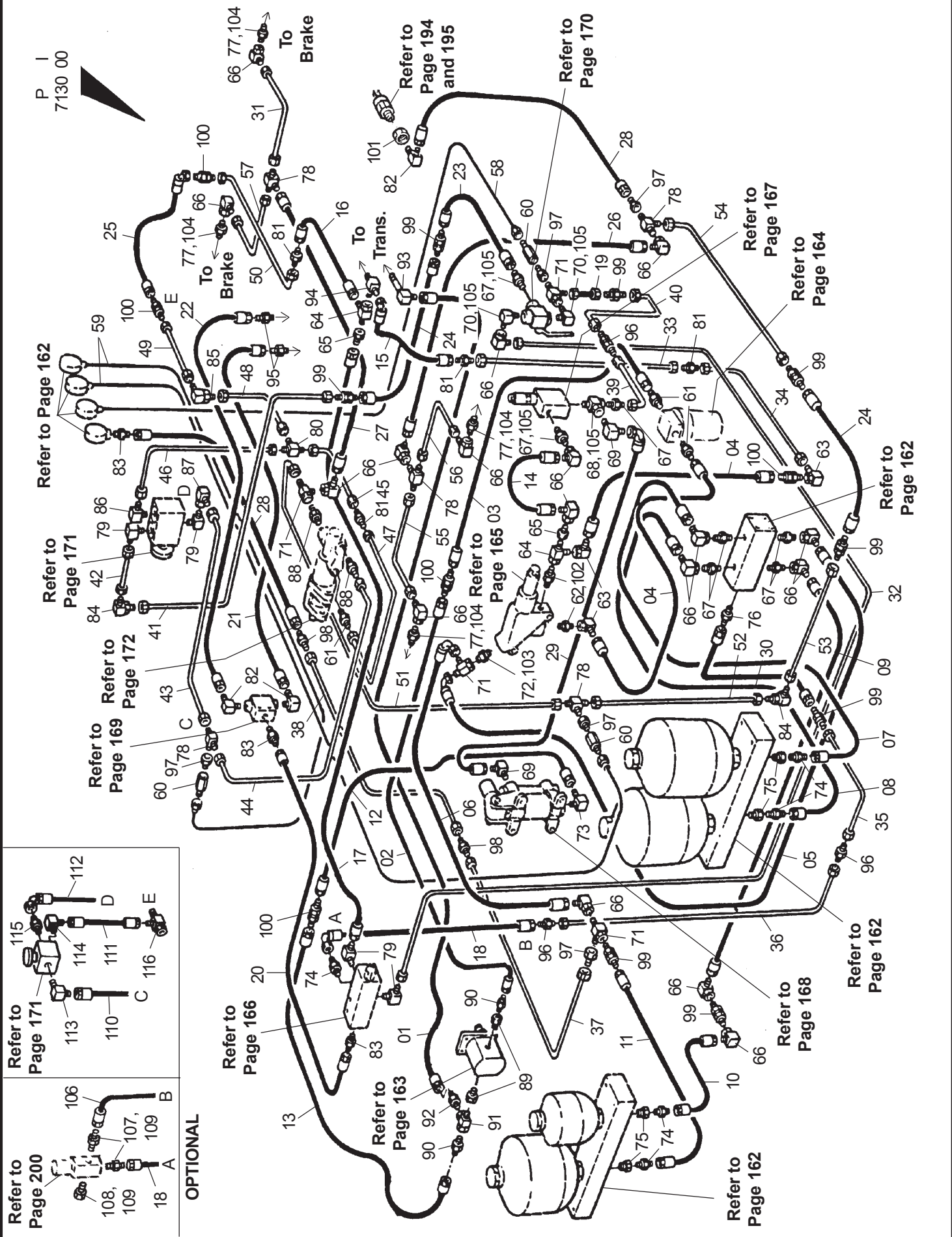
**BOART LONGYEAR  
AARDVARK 4.2 LOAD HAUL DUMPER  
HYDRAULIC CIRCUIT ASSEMBLY - BRAKE - CONT.**

Pg 147

Pos	Item	Comm. No.	See Page	Qty	Part No.	Description	Dwg. No.
P	I						
7130	00			1	<b>GH-909020993</b>	<b>HYDRAULIC CIRCUIT ASSEMBLY - BRAKE - CONT.</b>	
	27			1		HOSE ASSEMBLY, Dia. 3/8" - 3/8" JIC Straight End - 3/8" JIC Straight End - 430 lg	
	28			2		HOSE ASSEMBLY, Dia. 1/4" - 1/4" JIC Straight End - 1/4" JIC Straight End - 610 lg	
	29			1		HOSE ASSEMBLY, Dia. 3/8" - 3/8" JIC Straight End - 3/8" JIC 90° Elbow End - 800 lg	
	30			1		HOSE ASSEMBLY, Dia. 3/8" - 3/8" JIC Straight End - 3/8" JIC 45° Elbow End - 600 lg	
	31			1	GH-90311000	PIPE ASSEMBLY, 10 x 1,5 x lg	
	32			1	GH-91179000	PIPE ASSEMBLY, 10 x 1,5 x 850 lg	
	33			1	GH-90274000	PIPE ASSEMBLY, 12 x 1,5 x 330 lg	
	34			1	GH-90275000	PIPE ASSEMBLY, 12 x 1,5 x 1560 lg	
	35			1	GH-90276000	PIPE ASSEMBLY, 10 x 1,5 x 1450 lg	
	36			1	GH-90277000	PIPE ASSEMBLY, 10 x 1,5 x 1600 lg	
	37			1	GH-90278000	PIPE ASSEMBLY, 6 x 1,0 x 1330 lg	
	38			1	GH-90279000	PIPE ASSEMBLY, 6 x 1,0 x 1900 lg	
	39			1	GH-90280000	PIPE ASSEMBLY, 10 x 1,5 x 1590 lg	
	40			1	GH-90282000	PIPE ASSEMBLY, 10 x 1,5 x lg	
	41			1	GH-90284000	PIPE ASSEMBLY, 10 x 1,5 x 470 lg	
	42			1	GH-90286000	PIPE ASSEMBLY, 10 x 1,5 x lg	
	43			1	GH-90287000	PIPE ASSEMBLY, 10 x 1,5 x lg	
	44			1	GH-90289000	PIPE ASSEMBLY, 10 x 1,5 x lg	
	45			1	GH-90290000	PIPE ASSEMBLY, 12 x 1,5 x lg	
	46			1	GH-90291000	PIPE ASSEMBLY, 12 x 1,5 x lg	
	47			1	GH-90292000	PIPE ASSEMBLY, 12 x 1,5 x lg	
	48			1	GH-90293000	PIPE ASSEMBLY, 12 x 1,5 x lg	
	49			1	GH-90294000	PIPE ASSEMBLY, 12 x 1,5 x 580 lg	
	50			1	GH-90295000	PIPE ASSEMBLY, 12 x 1,5 x 720 lg	
	51			1	GH-90297000	PIPE ASSEMBLY, 10 x 1,5 x lg	
	52			1	GH-90301000	PIPE ASSEMBLY, 10 x 1,5 x lg	
	53			1	GH-90302000	PIPE ASSEMBLY, 10 x 1,5 x 390 lg	
	54			1	GH-90303000	PIPE ASSEMBLY, 10 x 1,5 x 1480 lg	
	55			1	GH-90304000	PIPE ASSEMBLY, 10 x 1,5 x lg	
	56			1	GH-90305000	PIPE ASSEMBLY, 10 x 1,5 x lg	
	57			1	GH-90307000	PIPE ASSEMBLY, 10 x 1,5 x lg	
	58			1	GH-91156000	TUBE ASSEMBLY, Coupling, 2400 lg	
	59			2	GH-91116000	TUBE ASSEMBLY, Coupling, 700 lg	
	60			3		ADAPTOR, Pressure Test Connector, 1/4" BSP	
	61			3		ADAPTOR, Straight, Male, 1/2" O-SAE - 1/2" JIC	
	62			2		ADAPTOR, Straight, Male, M18 x 1,5 - 1/2" JIC	
	63			3		ADAPTOR, 90° Swivel Elbow, Male/Female, 1/2" JIC	
	64			2		ADAPTOR, T-Piece, Male/Male/Female, 1/2" JIC	
	65			2		ADAPTOR, Reducer, Male/Female, 3/8" JIC - 1/2" JIC	
	66			17		ADAPTOR, 90° Swivel Elbow, Male/Female, 3/8" JIC	
	67			7		ADAPTOR, Straight, Male, 3/8" NPT - 3/8" JIC	
	68			1		ADAPTOR, T-Piece, Male/Female/Female, 3/8" NPT	
	69			2		ADAPTOR, 90° Elbow, Male, 3/8" NPT - 3/8" JIC	
	70			2		ADAPTOR, 90° Elbow, Male, 3/8" BSP - 3/8" JIC	
	71			4		ADAPTOR, T-Piece, Male/Male/Female, 3/8" JIC	
	72			1		ADAPTOR, Straight, Male, M16 x 1,5 - 3/8" JIC	
	73			1		ADAPTOR, 90° Elbow, Male, 3/8" NPT - 1/2" JIC	
	74			5		ADAPTOR, Straight, Male, 1/4" NPT - 3/8" JIC	

# BOART LONGYEAR AARDVARK 4.2 LOAD HAUL DUMPER HYDRAULIC CIRCUIT ASSEMBLY - BRAKE

DATE:  
REV:



DATE:  
REV:

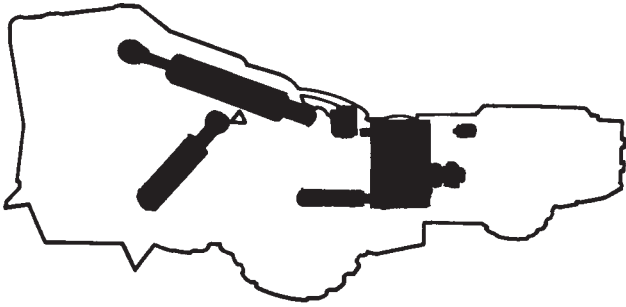
**BOART LONGYEAR  
AARDVARK 4.2 LOAD HAUL DUMPER  
HYDRAULIC CIRCUIT ASSEMBLY - BRAKE - CONT.**

Pg 148

Pos	Item	Comm. No.	See Page	Qty	Part No.	Description	Dwg. No.
P	I						
7130	00			1	<b>GH-909020993</b>	<b>HYDRAULIC CIRCUIT ASSEMBLY - BRAKE - CONT.</b>	
	75			4		ADAPTOR, Reducer, Male/Female, 1/2" NPT - 1/4" NPT	
	76			1		ADAPTOR, Straight, Male, 3/4" NPT - 3/8" JIC	
	77			4		ADAPTOR, Straight, Male, M14 x 1,5 - 3/8" JIC	
	78			5		ADAPTOR, T-Piece, Male, 3/8" JIC	
	79			4		ADAPTOR, 90° Elbow, Male, 1/4" NPT - 3/8" JIC	
	80			1		ADAPTOR, T-Piece, Male, 1/2" JIC	
	81			4		ADAPTOR, Straight, Male, 1/2" JIC	
	82			3		ADAPTOR, 90° Elbow, Male, 1/4" NPT - 1/4" JIC	
	83			3		ADAPTOR, Straight, Male, 1/4" NPT - 1/4" JIC	
	84			2		ADAPTOR, 90° Elbow Bulkhead, Male, 3/8" JIC	
	85			1		ADAPTOR, 90° Elbow Bulkhead, Male, 1/2" JIC	
	86			1		ADAPTOR, 90° Elbow, Male, 1/4" NPT - 1/2" JIC	
	87			1		ADAPTOR, 90° Swivel Elbow, Male/Female, 1/4" JIC	
	88			2		ADAPTOR, Straight, Male, 1/2" O-SAE - 3/8" JIC	
	89			2		ADAPTOR, Swivel Reducer, Male/Female, M22 x 1,5 - 3/4" NPT	
	90			2		ADAPTOR, Straight, Male, 3/4" NPT - 1/2" JIC	
	91			1		ADAPTOR, T-Piece, Male/Female/Female, 3/4" NPT	
	92			1		ADAPTOR, Straight, Male, 3/4" NPT - 3/4" JIC	
	93			1		ADAPTOR, 90° Extended Elbow, Male, 3/4" NPT - 3/4" JIC	
	94			1		ADAPTOR, T-Piece, Male, 1/2" NPT - 1/2" JIC - 1/2" JIC	
	95			2		ADAPTOR, Straight, Male, 3/8" BSP - 1/4" JIC	
	96			3		ADAPTOR, Straight, Male, 3/8" JIC	
	97			5		ADAPTOR, Reducer, Male/Female, 1/4" JIC - 3/8" JIC	
	98			2		ADAPTOR, Straight, Male, 1/4" JIC	
	99			8		ADAPTOR, Straight Bulkhead, Male, 3/8" JIC	
	100			5		ADAPTOR, Straight Bulkhead, Male, 1/2" JIC	
	101			1		ADAPTOR, Coupling - Special	
	102			2		WASHER, Seal, Dia. 18	
	103			1		WASHER, Seal, Dia. 16	
	104			4		WASHER, Seal, Dia. 14	
	105			5		WASHER, Seal, Dia. 3/8"	
	106			1		<b>OPTIONAL</b> HOSE ASSEMBLY, Dia. 3/8" - 3/8" JIC Straight End - 3/8" JIC Straight End - 300 lg	
	107			2		ADAPTOR, Straight, Male, 3/8" BSP - 3/8" JIC	
	108			1		PLUG, Hex Hd, Male, 3/8" BSP	
	109			3		WASHER, Seal, Dia. 3/8"	
	110			1		HOSE ASSEMBLY, Dia. 3/8" - 3/8" JIC 45° Elbow End - 3/8" JIC Straight End - lg	
	111			1		HOSE ASSEMBLY, Dia. 1/2" - 1/2" JIC Straight End - 1/2" JIC Straight End - lg	
	112			1		HOSE ASSEMBLY, Dia. 3/8" - 3/8" JIC 90° Elbow End - 3/8" JIC Straight End - lg	
	113			1		ADAPTOR, 90° Elbow, Male, 1/4" NPT - 3/8" JIC	
	114			1		ADAPTOR, 90° Elbow, Male, 1/4" NPT - 1/2" JIC	
	115			1		ADAPTOR, Straight, Male, 1/4" NPT - 3/8" JIC	
	116			1		ADAPTOR, T-Piece, Male/Male/Female, 1/2" JIC	

BOART LONGYEAR  
AARDVARK 4.2 LOAD HAUL DUMPER  
HYDRAULIC EQUIPMENT ASSEMBLY

DATE:  
REV:



P I  
7210 00



P I  
7220 00



P I  
7230 00



DATE:  
REV:

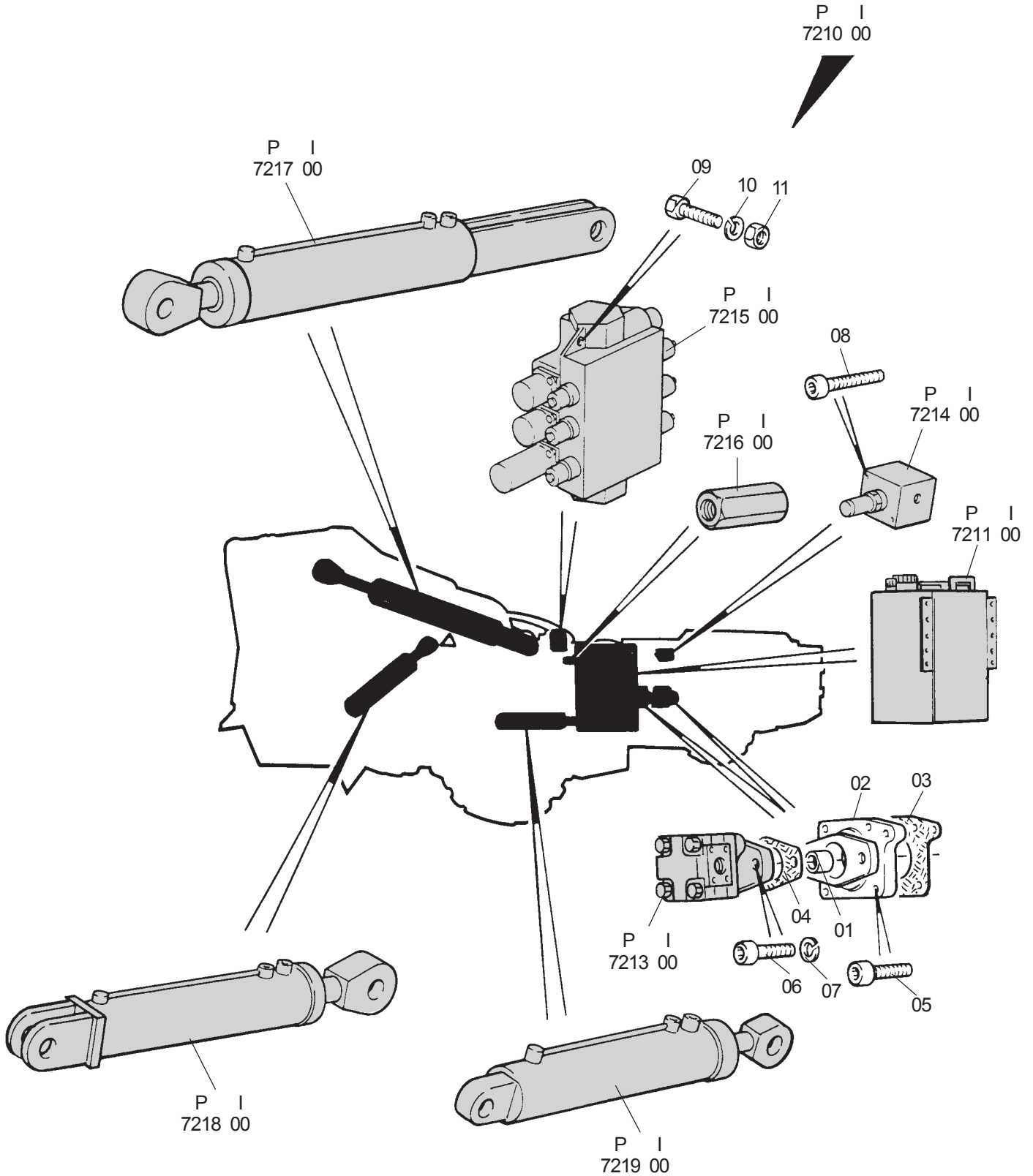
**BOART LONGYEAR  
AARDVARK 4.2 LOAD HAUL DUMPER  
HYDRAULIC EQUIPMENT ASSEMBLY**

Pg 149

Pos	Item	Comm. No.	See Page	Qty	Part No.	Description	Dwg. No.
P	I						
7200	00			1		HYDRAULIC EQUIPMENT ASSEMBLY	
7210	00		150	1	GH-909020995	HYDRAULIC EQUIPMENT ASSEMBLY - DUMP/HOIST/STEERING	
7220	00		160	1	GH-9090201874	HYDRAULIC EQUIPMENT ASSEMBLY - TORQUE CONVERTOR/TRANSMISSION	
7230	00		162	1	GH-909020993	HYDRAULIC EQUIPMENT ASSEMBLY - BRAKE	

**BOART LONGYEAR  
AARDVARK 4.2 LOAD HAUL DUMPER  
HYDRAULIC EQUIPMENT ASSEMBLY -  
DUMP/HOIST/STEERING**

DATE:  
REV:





DATE:  
REV:

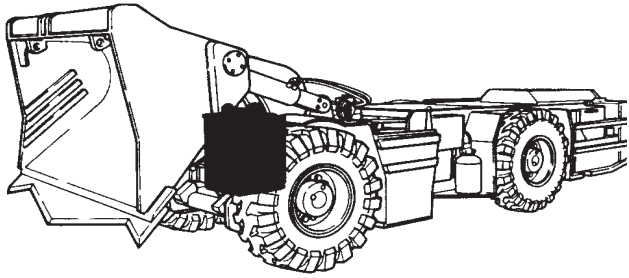
**BOART LONGYEAR  
AARDVARK 4.2 LOAD HAUL DUMPER  
HYDRAULIC EQUIPMENT ASSEMBLY -  
DUMP/HOIST/ STEERING**

Pg 150

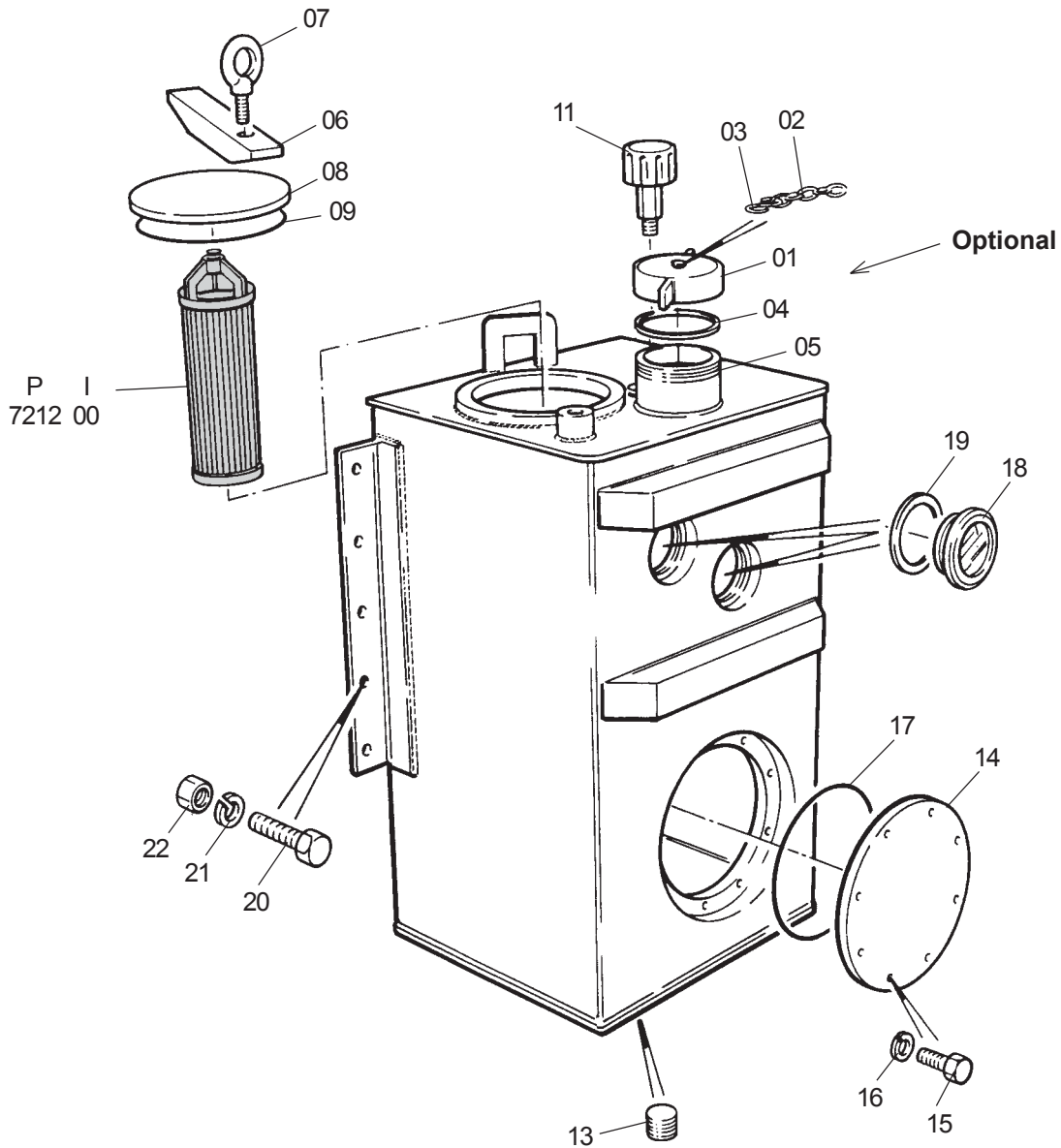
Pos	Item	Comm. No.	See Page	Qty	Part No.	Description	Dwg. No.
P	I						
7210	00			1	<b>GH-909020995</b>	<b>HYDRAULIC EQUIPMENT ASSEMBLY - DUMP/HOIST/STEERING</b>	
	01			2	GH-57820000	SLEEVE	
	02			2	GH-9092031551	FLANGE	
	03			2	GH-BA259063B	GASKET	
	04			2	GH-BA2402080	GASKET	
	05			12	GH-K06379	SCREW, Cap Soc Hex Hd	
	06			4	GH-21049000	SCREW, Cap Soc Hex Hd	
	07			4	GH-25451000	WASHER, Star	
	08			3	GH-20849000	BOLT, Cap Soc Hex Hd	
	09			3	GH-21045000	SCREW, Hex Hd	
	10			3	GH-25405000	WASHER, Spring	
	11			3	GH-24182000	NUT, Hex	
7211	00		151	1	<b>GH-9090036241</b>	<b>HYDRAULIC TANK ASSEMBLY</b>	
7213	00		153	2	<b>GH-K09731</b>	<b>GEAR PUMP ASSEMBLY</b>	
7214	00		154	1	<b>GH-77560000</b>	<b>PRESSURE RELIEF VALVE ASSEMBLY</b>	
7215	00		155	1	<b>GH-K09734</b>	<b>CONTROL VALVE BANK ASSEMBLY</b>	
7216	00		156	1	<b>GH-K09738</b>	<b>FLOW CONTROL VALVE ASSEMBLY</b>	
7217	00		157	1	<b>GH-K09732</b>	<b>DUMP CYLINDER ASSEMBLY</b>	
7218	00		158	1	<b>GH-K09733</b>	<b>HOIST CYLINDER ASSEMBLY</b>	
7219	00		159	1	<b>GH-9090201899</b>	<b>STEERING CYLINDER ASSEMBLY</b>	

BOART LONGYEAR  
AARDVARK 4.2 LOAD HAUL DUMPER  
HYDRAULIC TANK ASSEMBLY

DATE:  
REV:



P I  
7211 00



ITEMS NOT ILLUSTRATED - 10, 12, 23, 24

DATE:  
REV:

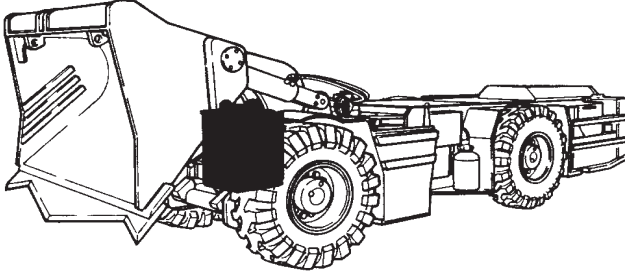
**BOART LONGYEAR  
AARDVARK 4.2 LOAD HAUL DUMPER  
HYDRAULIC TANK ASSEMBLY**

Pg 151

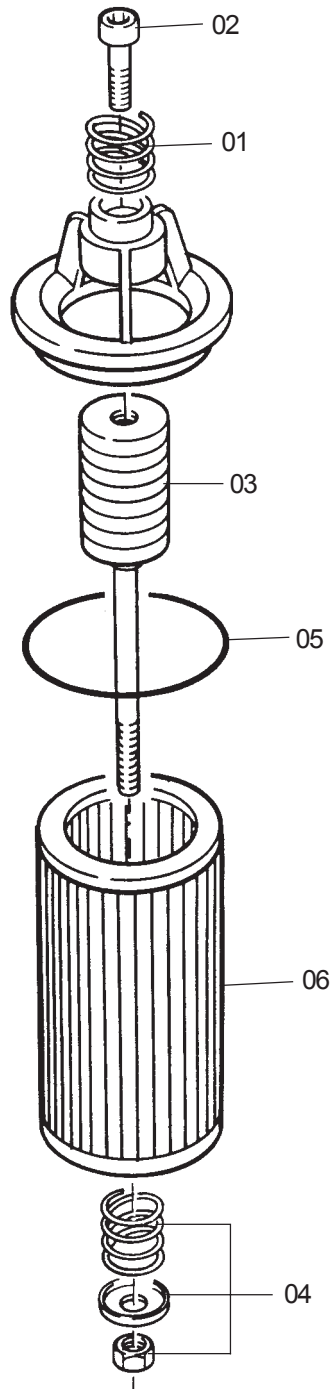
Pos	Item	Comm. No.	See Page	Qty	Part No.	Description	Dwg. No.
P	I						
7211	00			1	<b>GH-9090036241</b>	<b>HYDRAULIC TANK ASSEMBLY</b>	
	01			1	GH-9094031440	COVER	
	02			1	GH-29740000	CHAIN - Welded	
	03			1	GH-9094005536A	S-HOOK	
	04			1	GH-65193000	GASKET	
	05			1	GH-9094034248	NOZZLE - Welded	
	06			1	GH-9094033475	RETAINER	
	07			1	GH-9094018845	BOLT, Ring	
	08			1	GH-9094033511	COVER, Flange	
	09			1	GH-64150000	O-RING	
	10			1	GH-9090401003	TUNNEL, Filter (Not Illustrated)	
	11			1	GH-58018000	BREATHER, Pressurised	
	12			1	GH-32117000	SLEEVE (Not Illustrated)	
	13			1	GH-K08652	PLUG, Drain	
	14			1	GH-9094030903	COVER	
	15			8	GH-20327000	SCREW, Hex Hd	
	16			8	GH-25405000	WASHER, Spring	
	17			1	GH-64109000	O-RING	
	18			2	GH-57821000	GLASS, Sight - Oil Level	
	19			2	GH-64013000	GASKET	
	20			8	GH-20351000	SCREW, Hex Hd	
	21			8	GH-25408000	WASHER, Spring	
	22			8	GH-24181000	NUT, Hex	
	23			1	9000063	RECEIVER (Optional) (Not Illustrated)	
	24			1	9000064	CAP, Receiver (Optional) (Not Illustrated)	
7212	00		152	1	<b>GH-77839000</b>	<b>RETURN FILTER ASSEMBLY</b>	

BOART LONGYEAR  
AARDVARK 4.2 LOAD HAUL DUMPER  
RETURN FILTER ASSEMBLY

DATE:  
REV:



P I  
7212 00



DATE:  
REV:

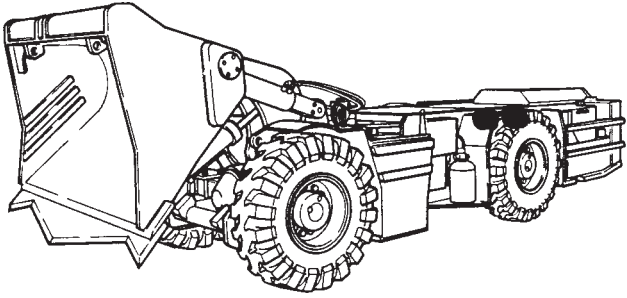
**BOART LONGYEAR  
AARDVARK 4.2 LOAD HAUL DUMPER  
RETURN FILTER ASSEMBLY**

Pg 152

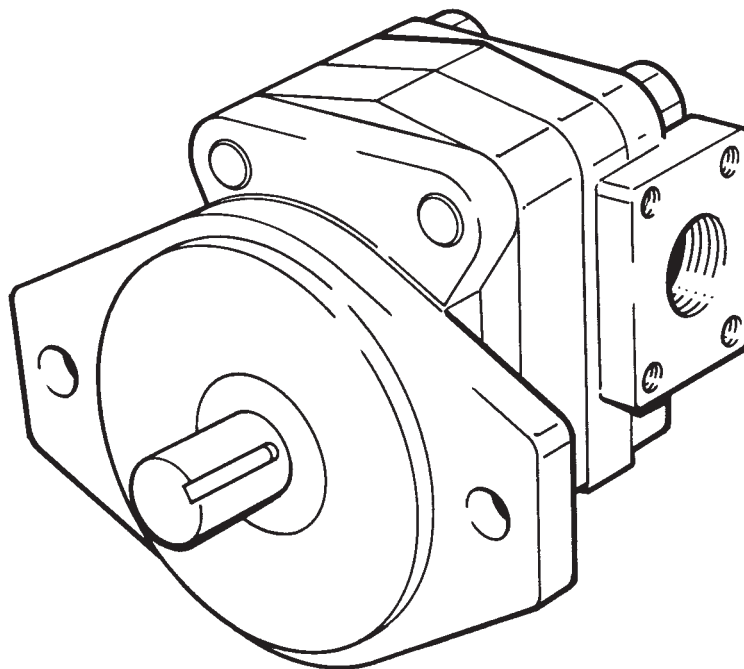
Pos	Item	Comm. No.	See Page	Qty	Part No.	Description	Dwg. No.
7212	00			1	<b>GH-77839000</b>	<b>RETURN FILTER ASSEMBLY</b>	
	01			1	GH-830701205	SPRING, Pressure	
	02			1	GH-81192224	SCREW, Cap Soc Hex Hd	
	03			1	GH-901408611	SUPPORT, Magnetic	
	04			1	GH-9030000025	KIT, Spring Set	
	05			1	GH-811015024	O-RING	
	06			1	GH-77840000	CARTRIDGE, Filter	

**BOART LONGYEAR  
AARDVARK 4.2 LOAD HAUL DUMPER  
GEAR PUMP ASSEMBLY**

DATE:  
REV:



P I  
7213 00



DATE:  
REV:

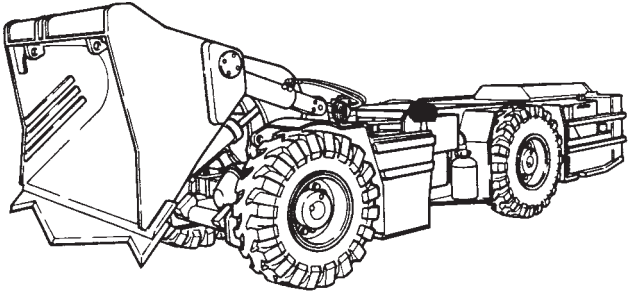
**BOART LONGYEAR  
AARDVARK 4.2 LOAD HAUL DUMPER  
GEAR PUMP ASSEMBLY**

Pg 153

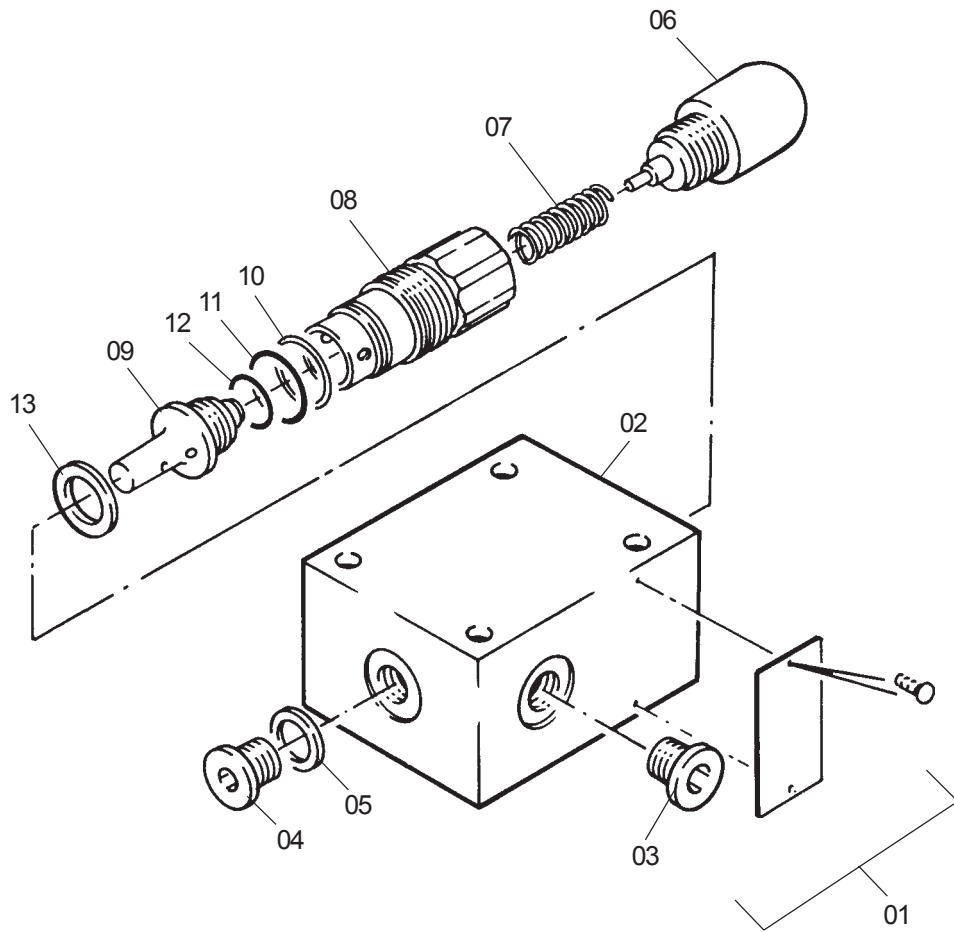
Pos Item P I	Comm. No.	See Page	Qty	Part No.	Description	Dwg. No.
7213 00			2	GH-K09731	GEAR PUMP ASSEMBLY  Note: Supplied as a unit	

BOART LONGYEAR  
AARDVARK 4.2 LOAD HAUL DUMPER  
PRESSURE RELIEF VALVE ASSEMBLY

DATE:  
REV:



P I  
7214 00





DATE:  
REV:

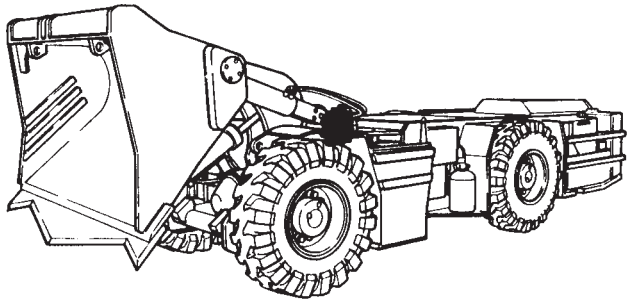
**BOART LONGYEAR  
AARDVARK 4.2 LOAD HAUL DUMPER  
PRESSURE RELIEF VALVE ASSEMBLY**

Pg 154

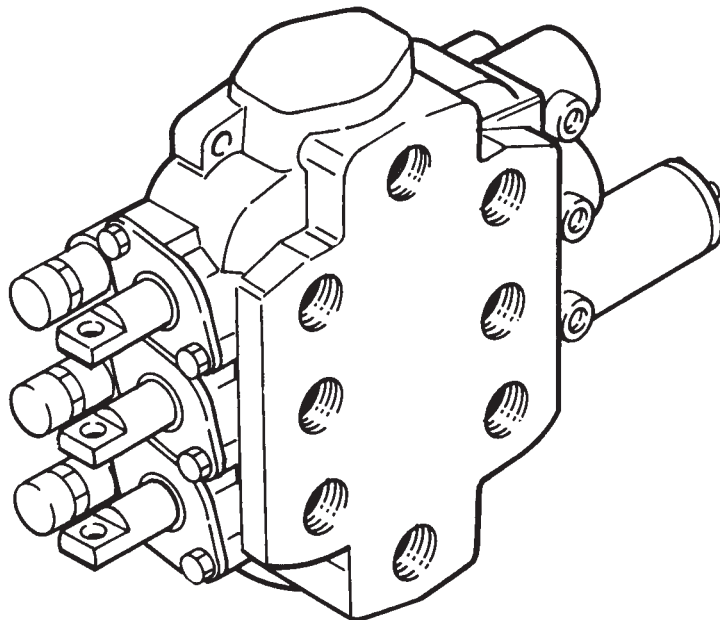
Pos	Item	Comm. No.	See Page	Qty	Part No.	Description	Dwg. No.
P	I						
7214	00			1	<b>GH-77560000</b>	<b>PRESSURE RELIEF VALVE ASSEMBLY</b>	
	01			1	GH-305228	HOUSING ASSEMBLY, Valve c/w Items 02 - 05	
	02			1	GH-126773	HOUSING	
	03			1	GH-007428	PLUG	
	04			1	GH-003558	PLUG	
	05			1	GH-004642	GASKET	
	06			1	GH-305494	CONTROL, Adjusting	
	07			1	GH-008679	SPRING, Pressure	
	08			1	GH-137576	BODY	
	09			1	GH-301794	SEAT	
	10			1	GH-006631	RING, Thrust	
	11			1	GH-004296	O-RING	
	12			2	GH-008235	RING	
	13			1	GH-004231	U-RING	

**BOART LONGYEAR  
AARDVARK 4.2 LOAD HAUL DUMPER  
CONTROL VALVE BANK ASSEMBLY**

DATE:  
REV:



P I  
7215 00



DATE:  
REV:

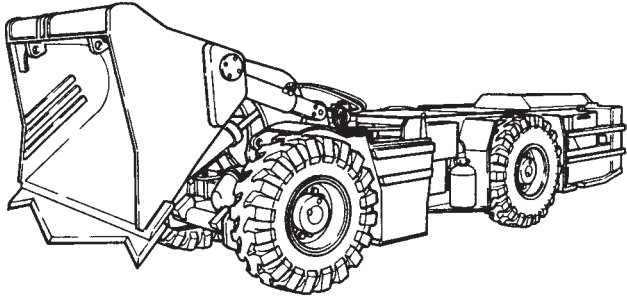
**BOART LONGYEAR  
AARDVARK 4.2 LOAD HAUL DUMPER  
CONTROL VALVE BANK ASSEMBLY**

Pg 155

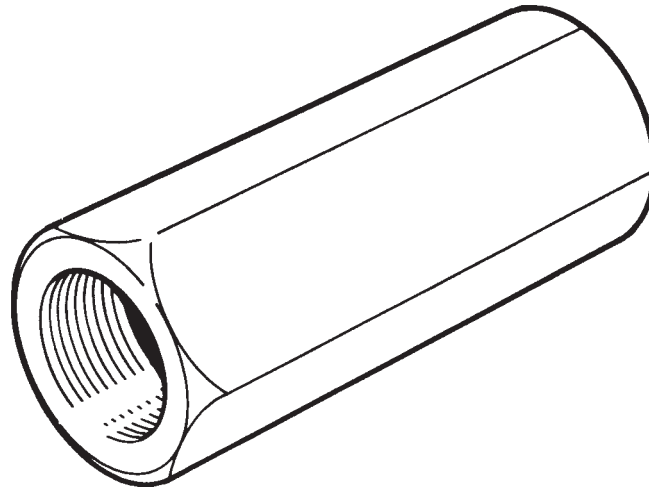
Pos Item P I	Comm. No.	See Page	Qty	Part No.	Description	Dwg. No.
7215 00			1	GH-K09734	<b>CONTROL VALVE BANK ASSEMBLY</b>  Note: Supplied as a unit	

**BOART LONGYEAR  
AARDVARK 4.2 LOAD HAUL DUMPER  
FLOW CONTROL VALVE ASSEMBLY**

DATE:  
REV:



P I  
7216 00



DATE:  
REV:

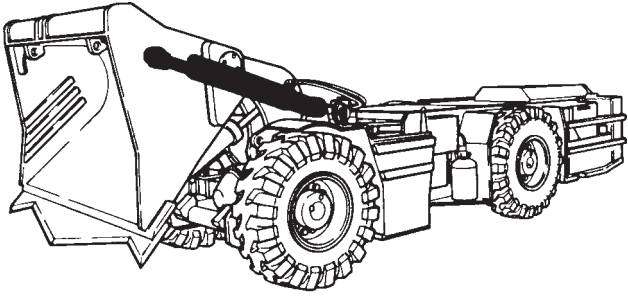
**BOART LONGYEAR  
AARDVARK 4.2 LOAD HAUL DUMPER  
FLOW CONTROL VALVE ASSEMBLY**

Pg 156

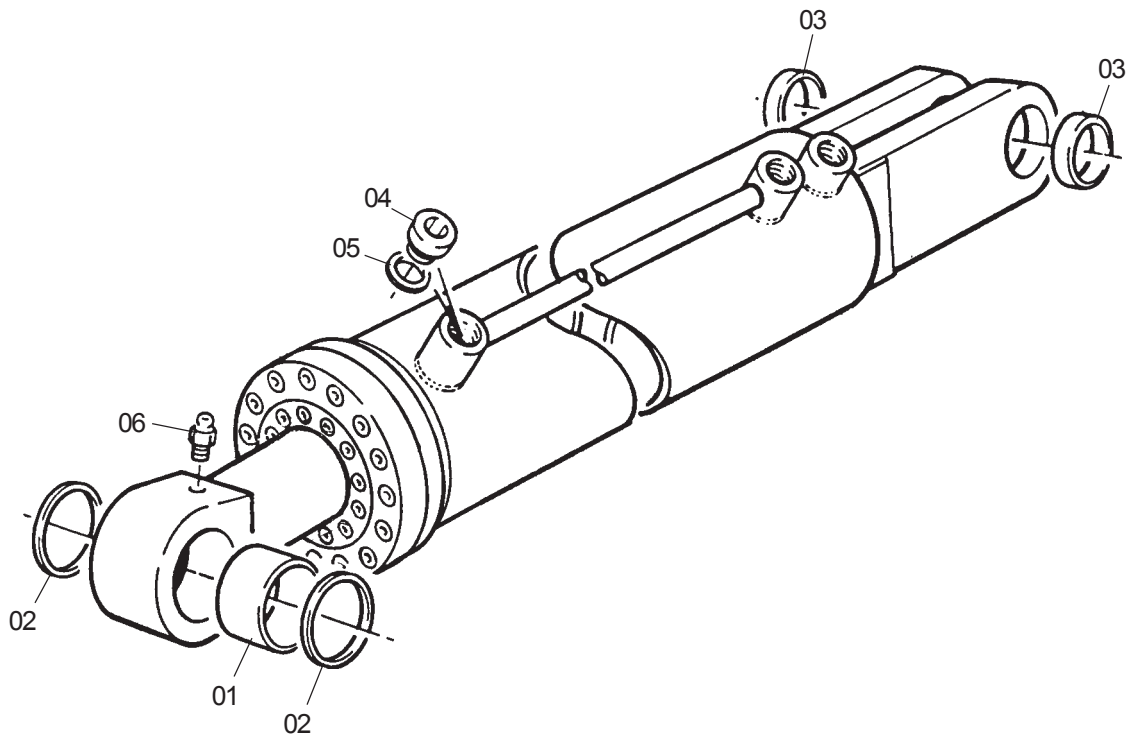
Pos	Item	Comm. No.	See Page	Qty	Part No.	Description	Dwg. No.
7216	00			1	GH-K09738	<b>FLOW CONTROL VALVE ASSEMBLY</b>  Note: Supplied as a unit	

BOART LONGYEAR  
AARDVARK 4.2 LOAD HAUL DUMPER  
DUMP CYLINDER ASSEMBLY

DATE:  
REV:



P I  
7217 00



DATE:  
REV:

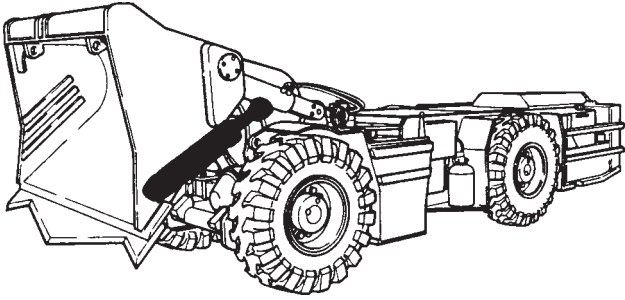
**BOART LONGYEAR  
AARDVARK 4.2 LOAD HAUL DUMPER  
DUMP CYLINDER ASSEMBLY**

Pg 157

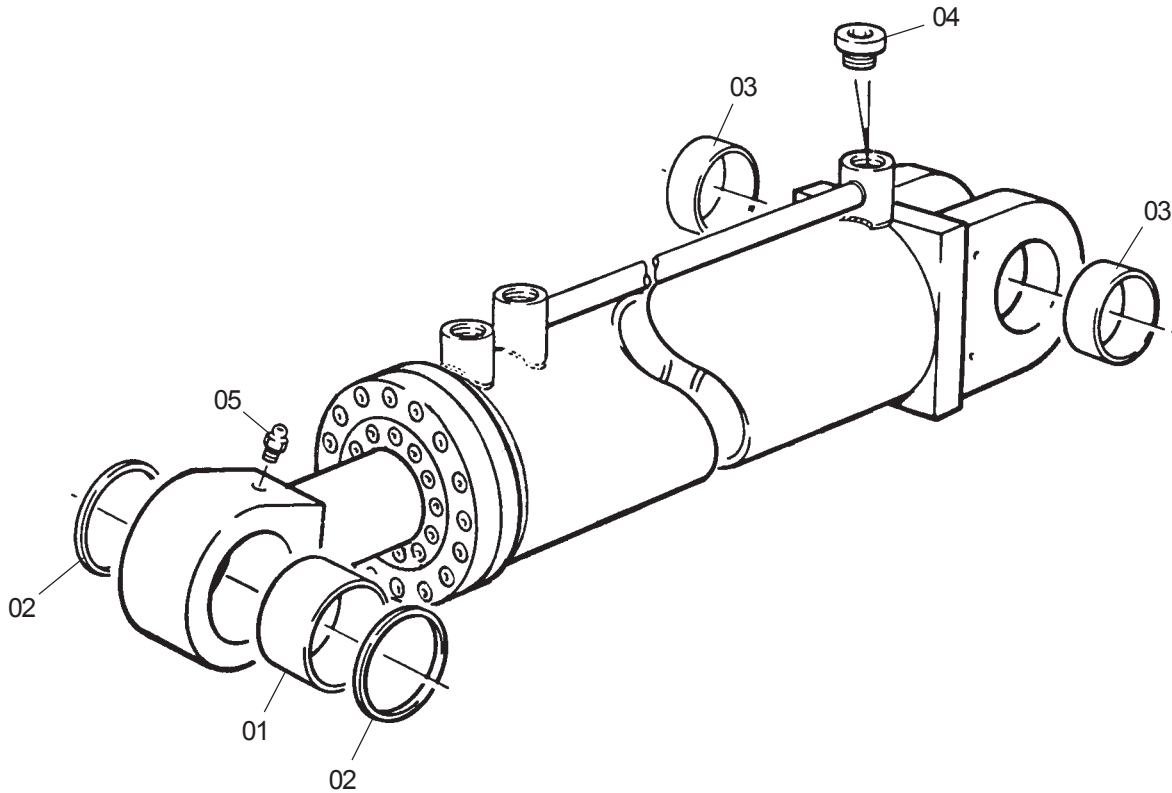
Pos	Item	Comm. No.	See Page	Qty	Part No.	Description	Dwg. No.
7217	00			1	<b>GH-K09732</b>	<b>DUMP CYLINDER ASSEMBLY</b>	
	01			1	GH-9094024473	BUSH	
	02			2	GH-57612000	GASKET	
	03			2	GH-909040803	BUSH	
	04			1	GH-22231000	PLUG	
	05			1	GH-64006000	RING	
	06			1	GH-34141000	ADAPTOR, Grease Straight, Male	
						<b>Note:</b> Supplied as a unit	

BOART LONGYEAR  
AARDVARK 4.2 LOAD HAUL DUMPER  
HOIST CYLINDER ASSEMBLY

DATE:  
REV:



P I  
7218 00





DATE:  
REV:

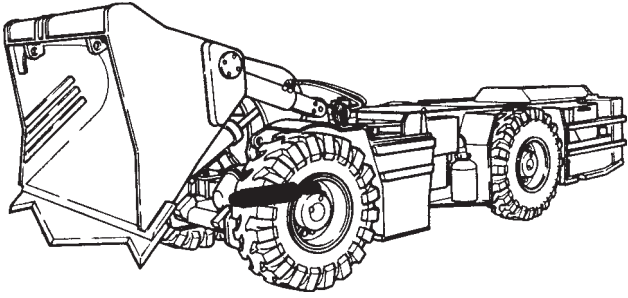
**BOART LONGYEAR  
AARDVARK 4.2 LOAD HAUL DUMPER  
HOIST CYLINDER ASSEMBLY**

Pg 158

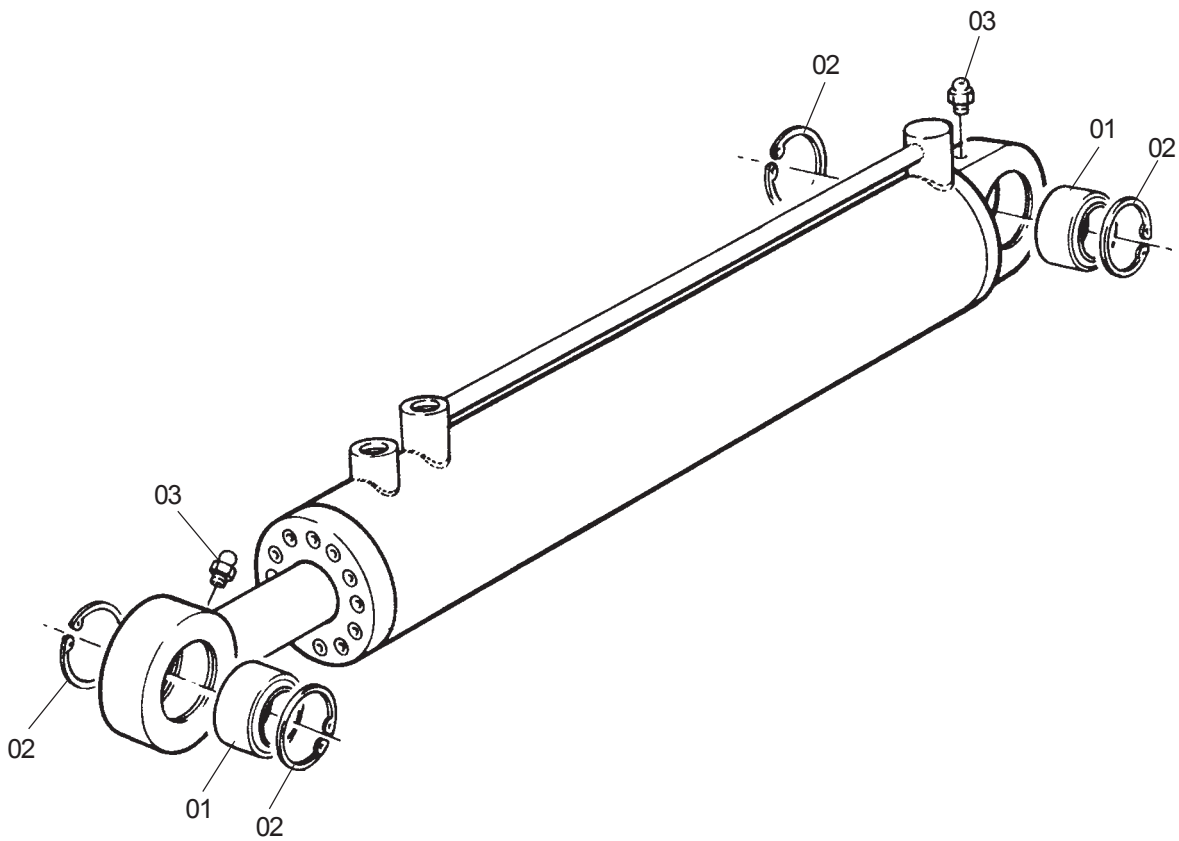
Pos	Item	Comm. No.	See Page	Qty	Part No.	Description	Dwg. No.
7218	00			1	<b>GH-K09733</b>	<b>HOIST CYLINDER ASSEMBLY</b>	
	01			1	GH-9094024473	BUSH	
	02			2	GH-56958000	GASKET	
	03			2	GH-909040803	BUSH	
	04			1	GH-22233000	PLUG	
	05			1	GH-34141000	ADAPTOR, Grease Straight, Male	
						<b>Note:</b> Supplied as a unit	

BOART LONGYEAR  
AARDVARK 4.2 LOAD HAUL DUMPER  
STEERING CYLINDER ASSEMBLY

DATE:  
REV:



P I  
7219 00



DATE:  
REV:

**BOART LONGYEAR  
AARDVARK 4.2 LOAD HAUL DUMPER  
STEERING CYLINDER ASSEMBLY**

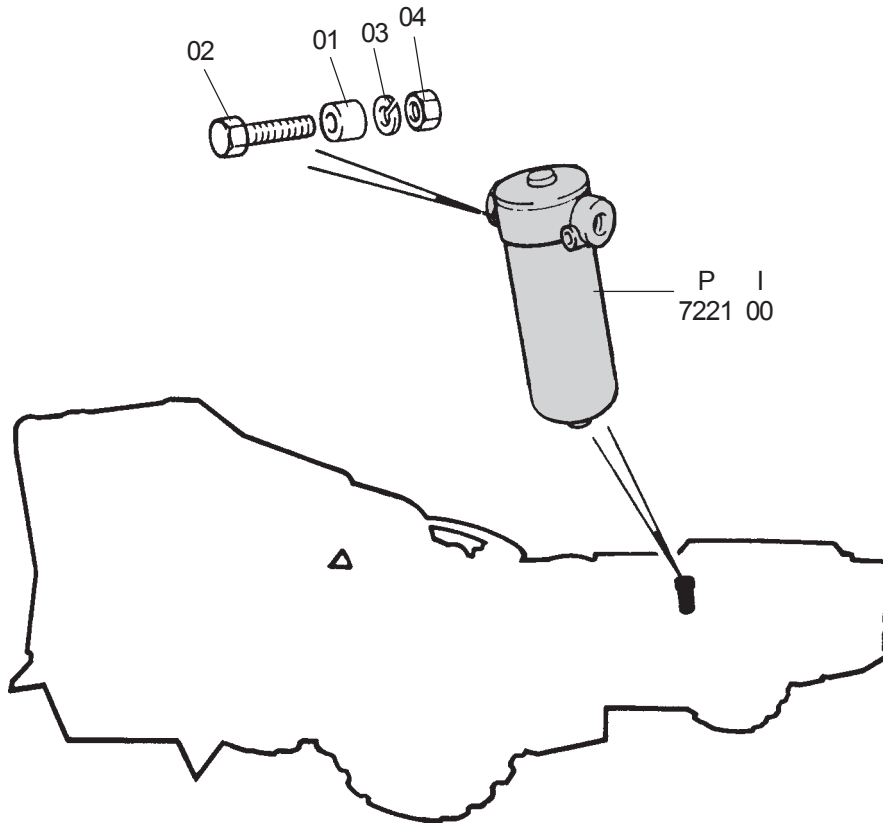
Pg 159

Pos	Item	Comm. No.	See Page	Qty	Part No.	Description	Dwg. No.
7219	00			1	<b>GH-9090201899</b>	<b>STEERING CYLINDER ASSEMBLY</b>	
	01			2	GH-37153000	BEARING	
	02			4	GH-25630000	CIRCLIP	
	03			2	GH-34141000	ADAPTOR, Grease Straight, Male	
						<b>Note:</b> Supplied as a unit	

BOART LONGYEAR  
AARDVARK 4.2 LOAD HAUL DUMPER  
HYDRAULIC EQUIPMENT ASSEMBLY -  
TORQUE CONVERTOR/TRANSMISSION

DATE:  
REV:

P I  
7220 00



DATE:  
REV:

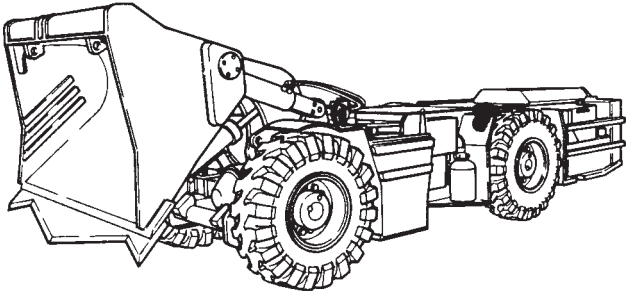
**BOART LONGYEAR  
AARDVARK 4.2 LOAD HAUL DUMPER  
HYDRAULIC EQUIPMENT ASSEMBLY -  
TORQUE CONVERTOR/TRANSMISSION**

Pg 160

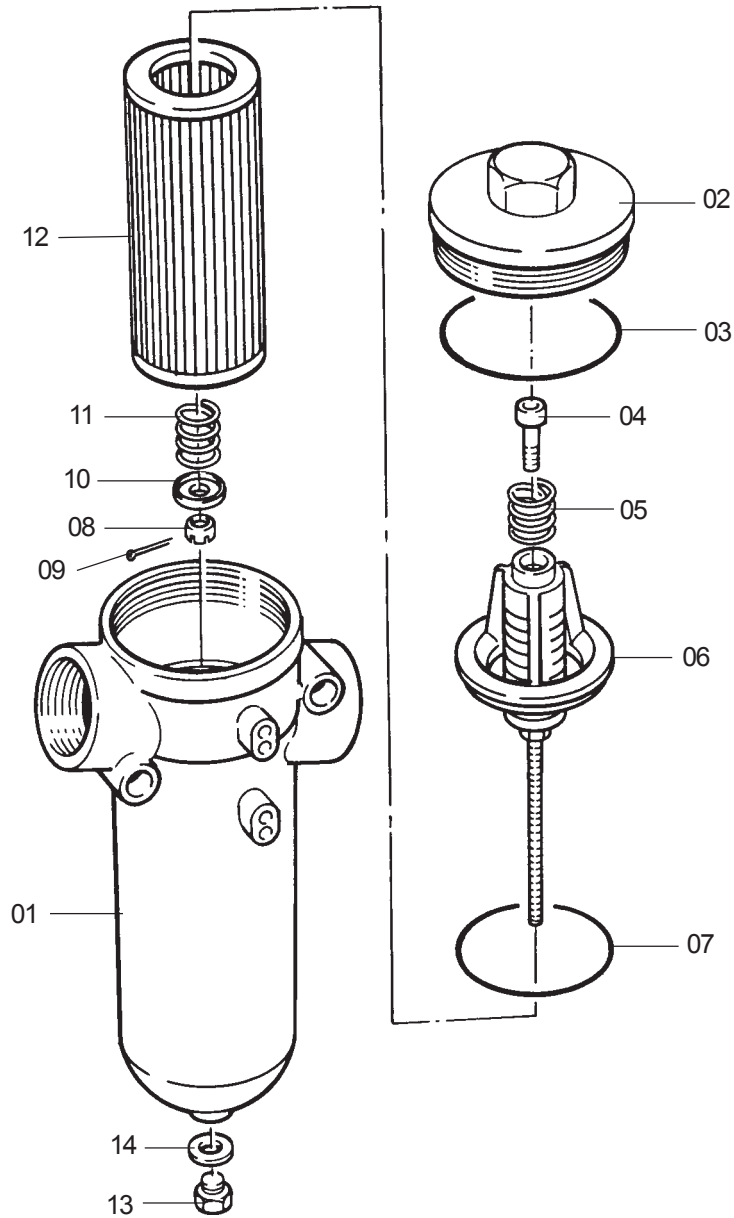
Pos	Item	Comm. No.	See Page	Qty	Part No.	Description	Dwg. No.
P	I						
7220	00			1	<b>GH-9090201874</b>	<b>HYDRAULIC EQUIPMENT ASSEMBLY - TORQUE CONVERTOR/TRANSMISSION</b>	
	01			2	GH-30406000	TUBE, Steel, 12 x 1,5 x 20 lg	
	02			2	GH-20560000	BOLT, Hex Hd, M8 x 80 lg, Gr 8,8	
	03			2	GH-25404000	WASHER, Spring, Dia. 8	
	04			2	GH-24179000	NUT, Hex, M8, Gr 8	
7221	00		161	1	<b>GH-77604000</b>	<b>ARLON FILTER ASSEMBLY</b>	

BOART LONGYEAR  
AARDVARK 4.2 LOAD HAUL DUMPER  
ARLON FILTER ASSEMBLY

DATE:  
REV:



P I  
7221 00



DATE:  
REV:

**BOART LONGYEAR  
AARDVARK 4.2 LOAD HAUL DUMPER  
ARLON FILTER ASSEMBLY**

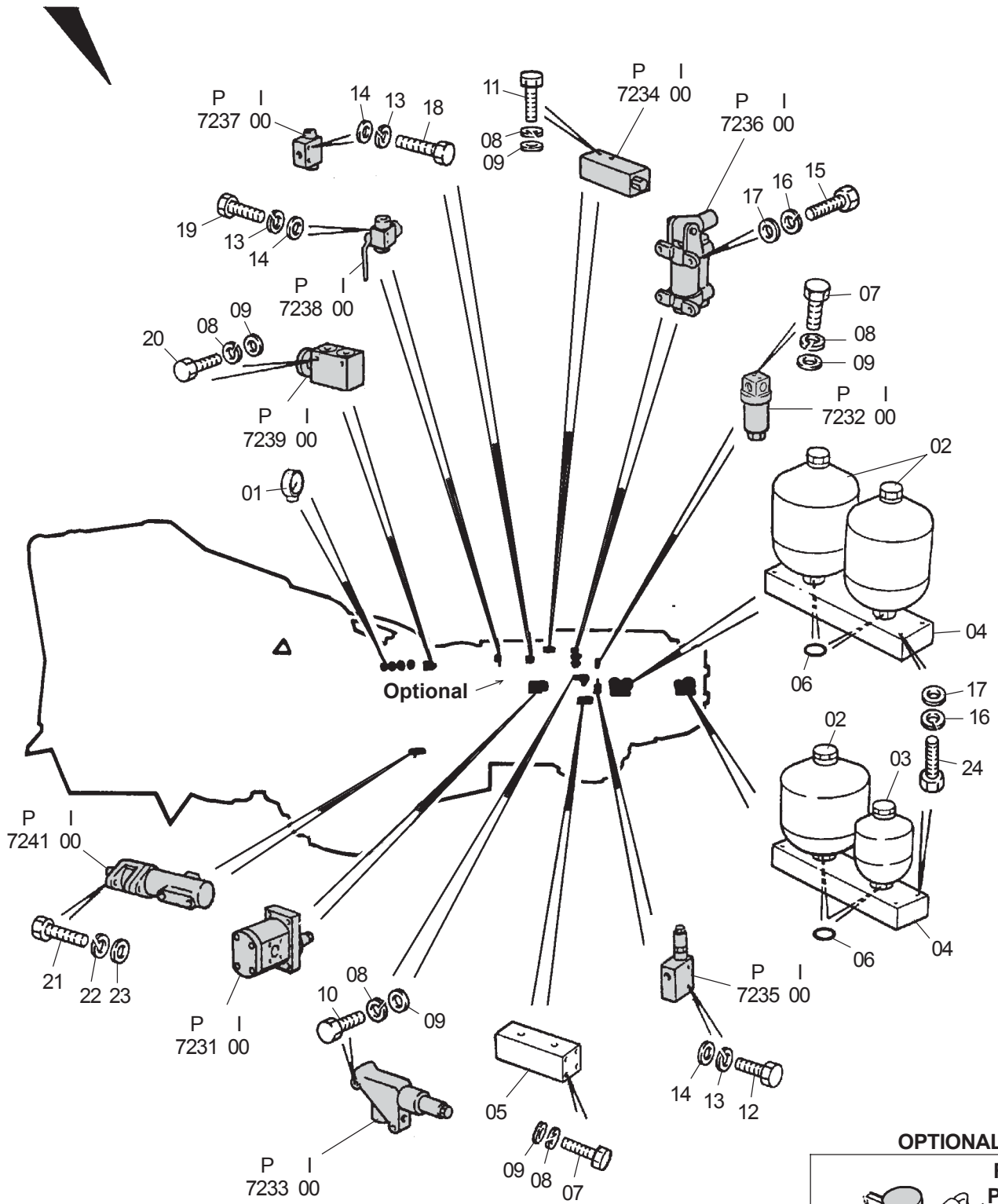
Pg 161

Pos	Item	Comm. No.	See Page	Qty	Part No.	Description	Dwg. No.
P	I						
7221	00			1	<b>GH-77604000</b>	<b>ARLON FILTER ASSEMBLY</b>	
	01			1	GH-71060101	HOUSING	
	02			1	GH-K63009	COVER	
	03			1	GH-77607000	O-RING	
	04			1	GH-21023000	SCREW, Cap Soc Hex Hd	
	05			1	GH-K85282	SPRING	
	06			1	GH-K65410	FASTENER, Filter	
	07			1	GH-77606000	O-RING	
	08			1	GH-24463000	NUT, Castle	
	09			1	GH-26818000	PIN, Split	
	10			1	GH-30000103	FASTENER, Spring	
	11			1	GH-30002802	SPRING	
	12			1	GH-77605000	CARTRIDGE, Filter	
	13			1	GH-90331000	PLUG, Drain, 1/8"	
	14			1	GH-64000000	GASKET	

**BOART LONGYEAR  
AARDVARK 4.2 LOAD HAUL DUMPER  
HYDRAULIC EQUIPMENT ASSEMBLY - BRAKE**

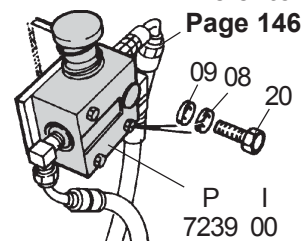
DATE:  
REV:

P I  
7230 00



**OPTIONAL**

Refer to  
Page 146





DATE:  
REV:

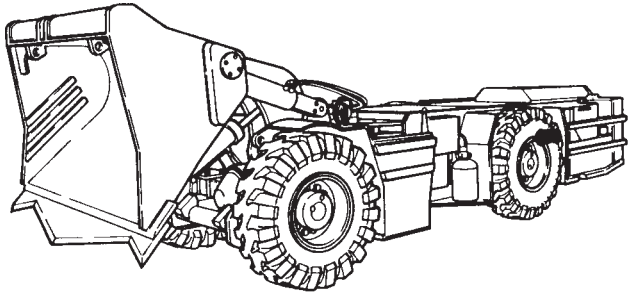
**BOART LONGYEAR  
AARDVARK 4.2 LOAD HAUL DUMPER  
HYDRAULIC EQUIPMENT ASSEMBLY - BRAKE**

Pg 162

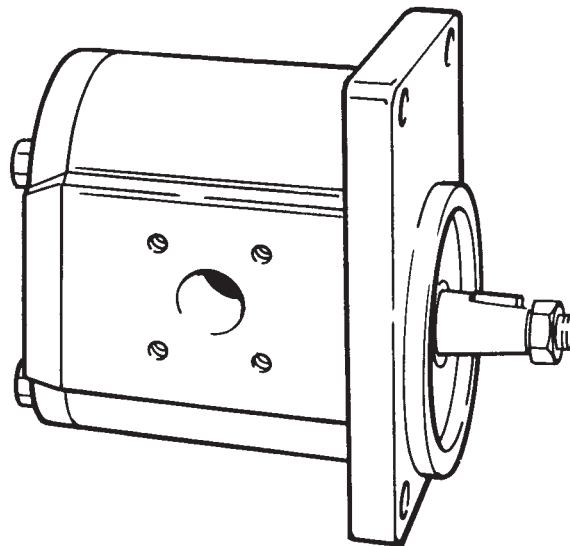
Pos	Item	Comm. No.	See Page	Qty	Part No.	Description	Dwg. No.
P	I						
7230	00			1	<b>GH-909020993</b>	<b>HYDRAULIC EQUIPMENT ASSEMBLY - BRAKE</b>	
	01			4	GH-57644000	GAUGE, Pressure, 0 - 25 MPA	
	02			3	GH-57643000	ACCUMULATOR ASSEMBLY - 1,4L	
	03			1	GH-57699000	ACCUMULATOR ASSEMBLY - 0,5L	
	04			2	GH-9090402322	BLOCK ASSEMBLY, Manifold	
	05			1	GH-9090302441	BLOCK ASSEMBLY, Accumulator	
	06			4	GH-91099000	WASHER, Seal, Dia. 1"	
	07			6	102-M8-20	BOLT, Hex Hd, M8 x 20 lg	
	08			12	143-M8	WASHER, Spring, Dia. 8	
	09			12	141-M8	WASHER, Flat, Dia. 8	
	10			2	102-M8-75	BOLT, Hex Hd, M8 x 75 lg	
	11			2	102-M8-50	BOLT, Hex Hd, M8 x 50 lg	
	12			2	102-M6-40	BOLT, Hex Hd, M6 x 40 lg	
	13			6	143-M6	WASHER, Spring, Dia. 6	
	14			6	141-M6	WASHER, Flat, Dia. 6	
	15			4	105-M10-25	SCREW, Hex Hd, M10 x 25 lg	
	16			12	143-M10	WASHER, Spring, Dia. 10	
	17			12	141-M10	WASHER, Flat, Dia. 10	
	18			2	102-M6-35	BOLT, Hex Hd, M6 x 35 lg	
	19			2	105-M6-15	SCREW, Hex Hd, M6 x 15 lg	
	20			2	102-M8-60	BOLT, Hex Hd, M8 x 60 lg	
	21			2	102-3/8"UNC-50	SCREW, Hex Hd, 3/8" UNC x 50 lg	
	22			2	143-6	WASHER, Spring, Dia. 3/8"	
	23			2	141-6	WASHER, Flat, Dia. 3/8"	
	24			8	102-M10-75	BOLT, Hex Hd, M10 x 75 lg	
7231	00		163	1	<b>GH-56534000</b>	<b>GEAR PUMP ASSEMBLY</b>	
7232	00		164	1	<b>9000022</b>	<b>HIGH PRESSURE FILTER ASSEMBLY</b>	
7233	00		165	1	<b>GH-57640000</b>	<b>PRESSURE CONTROL VALVE ASSEMBLY</b>	
7234	00		166	1	<b>GH-91037000</b>	<b>NEUTRAL VALVE ASSEMBLY</b>	
7235	00		167	1	<b>GH-91038000</b>	<b>PRESSURE RELIEF VALVE ASSEMBLY</b>	
7236	00		168	1	<b>GH-HP20</b>	<b>HAND PUMP ASSEMBLY</b>	
7237	00		169	1	<b>GH-90198000</b>	<b>SHUTTLE VALVE ASSEMBLY</b>	
7238	00		170	1	<b>GH-91123000</b>	<b>3 WAY BALL VALVE ASSEMBLY</b>	
7239	00		171	1	<b>GH-90309000</b>	<b>PARK BRAKE MUSHROOM VALVE ASSEMBLY</b>	
7241	00		172	1	<b>9000021</b>	<b>BRAKE VALVE ASSEMBLY</b>	
7239	00		171	1	<b>GH-90309000</b>	<b>OPTIONAL PARK BRAKE MUSHROOM VALVE ASSEMBLY</b>	

**BOART LONGYEAR  
AARDVARK 4.2 LOAD HAUL DUMPER  
GEAR PUMP ASSEMBLY**

DATE:  
REV:



P I  
7231 00



DATE:  
REV:

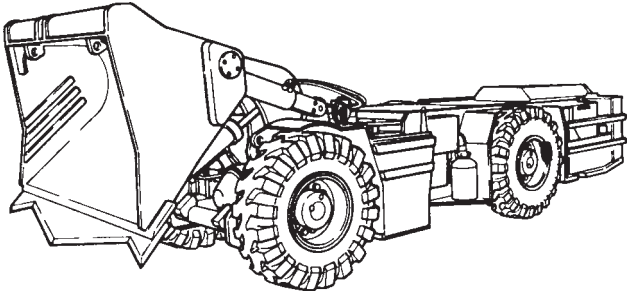
**BOART LONGYEAR  
AARDVARK 4.2 LOAD HAUL DUMPER  
GEAR PUMP ASSEMBLY**

Pg 163

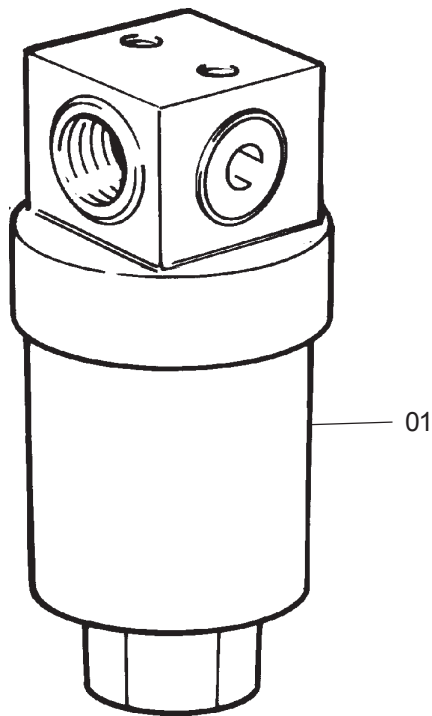
Pos Item P I	Comm. No.	See Page	Qty	Part No.	Description	Dwg. No.
7231 00			1	GH-56534000	GEAR PUMP ASSEMBLY  Note: Supplied as a unit	

**BOART LONGYEAR  
AARDVARK 4.2 LOAD HAUL DUMPER  
HIGH PRESSURE FILTER ASSEMBLY**

DATE:  
REV:



P I  
7232 00



ITEMNOTILLUSTRATED-01

DATE:  
REV:

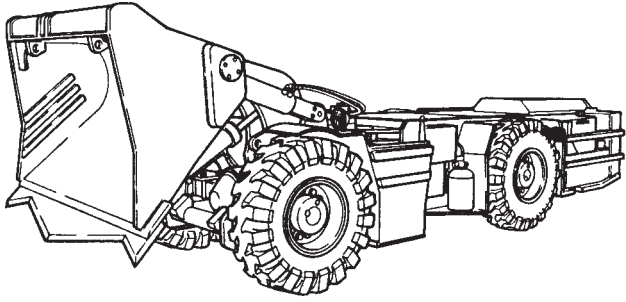
**BOART LONGYEAR  
AARDVARK 4.2 LOAD HAUL DUMPER  
HIGH PRESSURE FILTER ASSEMBLY**

Pg 164

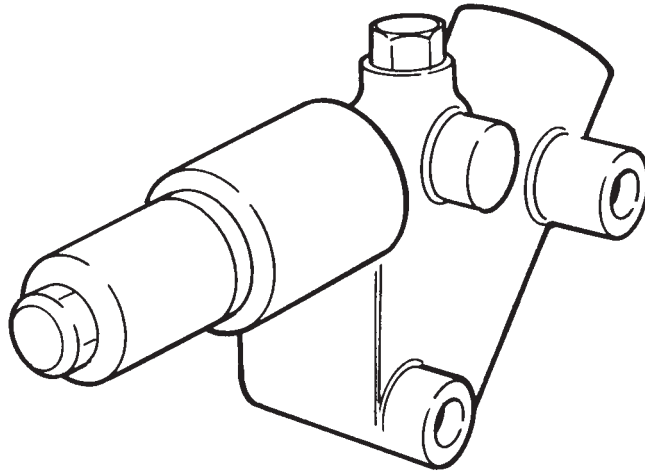
Pos	Item	Comm. No.	See Page	Qty	Part No.	Description	Dwg. No.
7232	00 01			1	9000022	<b>HIGH PRESSURE FILTER ASSEMBLY</b>	
				1	9000023	ELEMENT, Filter (Not Illustrated)	
						<b>Note:</b> Supplied as a unit	

**BOART LONGYEAR  
AARDVARK 4.2 LOAD HAUL DUMPER  
PRESSURE CONTROL VALVE ASSEMBLY**

DATE:  
REV:



P I  
7233 00



DATE:  
REV:

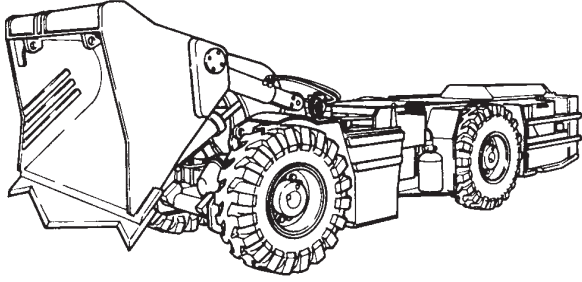
**BOART LONGYEAR  
AARDVARK 4.2 LOAD HAUL DUMPER  
PRESSURE CONTROL VALVE ASSEMBLY**

Pg 165

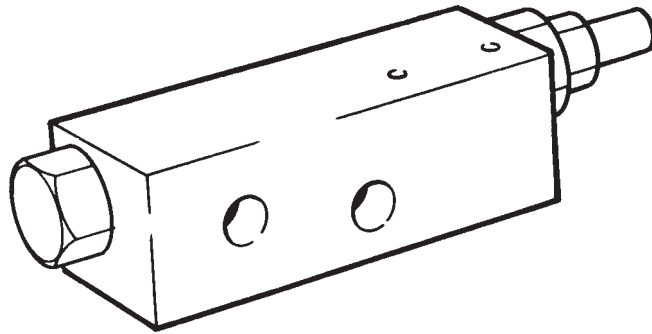
Pos Item P I	Comm. No.	See Page	Qty	Part No.	Description	Dwg. No.
7233 00			1	GH-57640000	<b>PRESSURE CONTROL VALVE ASSEMBLY</b>  Note: Supplied as a unit	

**BOART LONGYEAR  
AARDVARK 4.2 LOAD HAUL DUMPER  
NEUTRAL VALVE ASSEMBLY**

DATE:  
REV:



P I  
7234 00





DATE:  
REV:

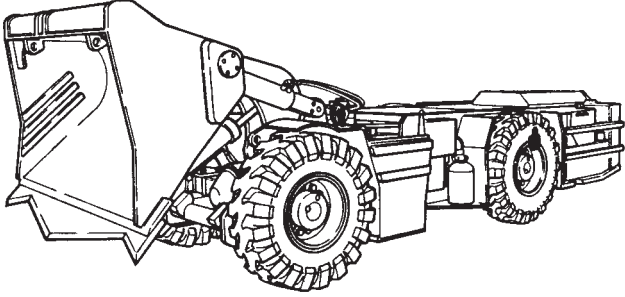
**BOART LONGYEAR  
AARDVARK 4.2 LOAD HAUL DUMPER  
NEUTRAL VALVE ASSEMBLY**

Pg 166

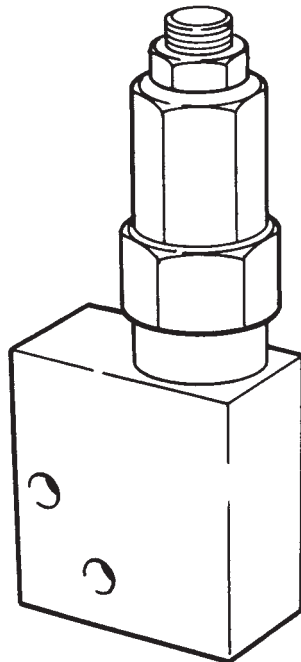
Pos Item P I	Comm. No.	See Page	Qty	Part No.	Description	Dwg. No.
7234 00			1	GH-91037000	<b>NEUTRAL VALVE ASSEMBLY</b>  Note: Supplied as a unit	

**BOART LONGYEAR  
AARDVARK 4.2 LOAD HAUL DUMPER  
PRESSURE RELIEF VALVE ASSEMBLY**

DATE:  
REV:



P I  
7235 00



DATE:  
REV:

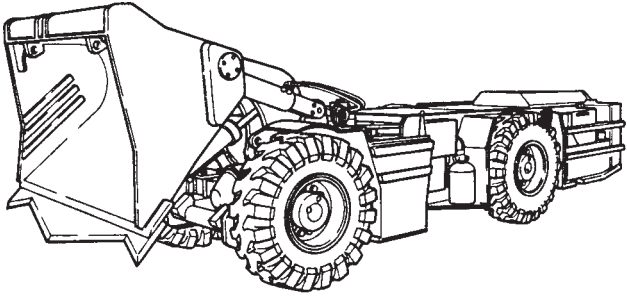
**BOART LONGYEAR  
AARDVARK 4.2 LOAD HAUL DUMPER  
PRESSURE RELIEF VALVE ASSEMBLY**

Pg 167

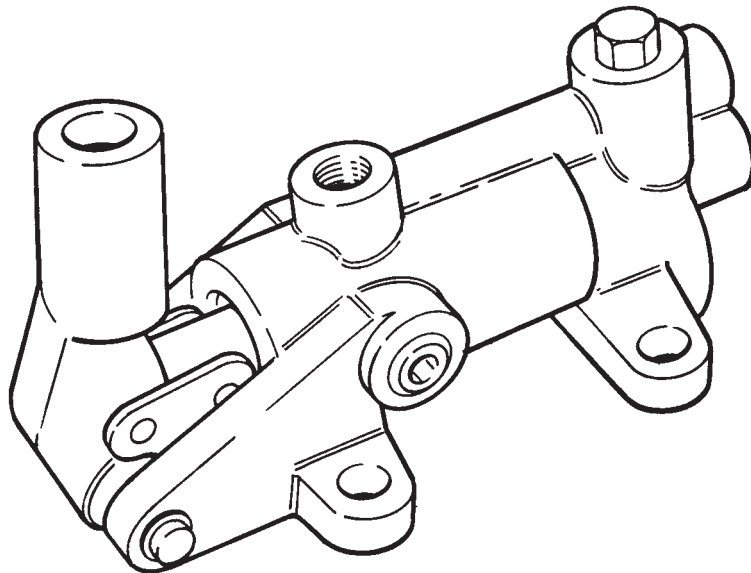
Pos	Item	Comm. No.	See Page	Qty	Part No.	Description	Dwg. No.
7235	00			1	GH-91038000	<b>PRESSURE RELIEF VALVE ASSEMBLY</b>  Note: Supplied as a unit	

**BOART LONGYEAR  
AARDVARK 4.2 LOAD HAUL DUMPER  
HAND PUMP ASSEMBLY**

DATE:  
REV:



P I  
7236 00



DATE:  
REV:

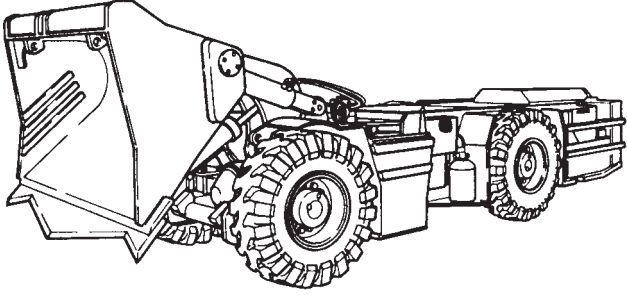
**BOART LONGYEAR  
AARDVARK 4.2 LOAD HAUL DUMPER  
HAND PUMP ASSEMBLY**

Pg 168

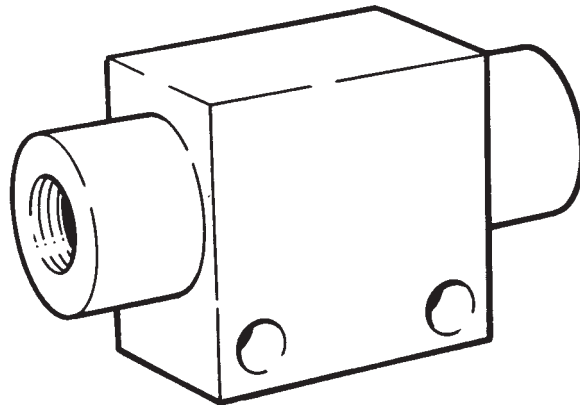
Pos Item P I	Comm. No.	See Page	Qty	Part No.	Description	Dwg. No.
7236 00			1	GH-HP20	HAND PUMP ASSEMBLY  Note: Supplied as a unit	

**BOART LONGYEAR  
AARDVARK 4.2 LOAD HAUL DUMPER  
SHUTTLE VALVE ASSEMBLY**

DATE:  
REV:



P I  
7237 00



DATE:  
REV:

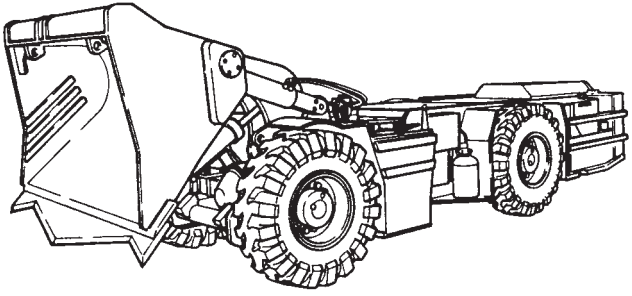
**BOART LONGYEAR  
AARDVARK 4.2 LOAD HAUL DUMPER  
SHUTTLE VALVE ASSEMBLY**

Pg 169

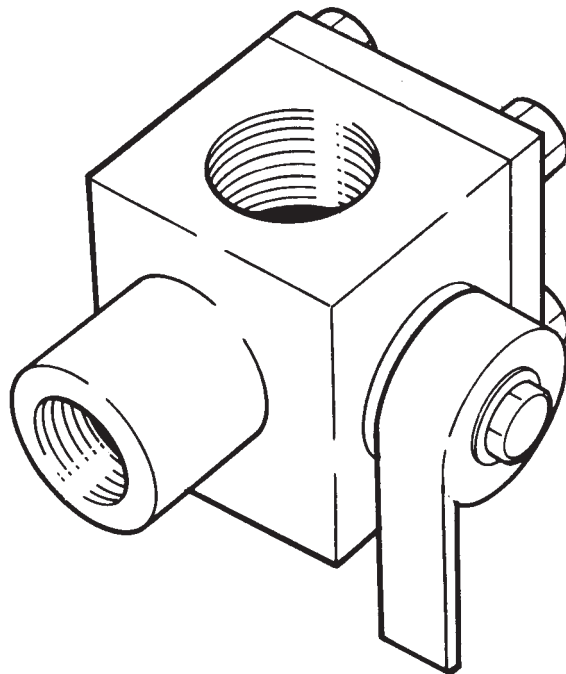
Pos Item P I	Comm. No.	See Page	Qty	Part No.	Description	Dwg. No.
7237 00			1	GH-90198000	<b>SHUTTLEVALVEASSEMBLY</b>  Note: Supplied as a unit	

**BOART LONGYEAR  
AARDVARK 4.2 LOAD HAUL DUMPER  
3 WAY BALL VALVE ASSEMBLY**

DATE:  
REV:



P I  
7238 00





DATE:  
REV:

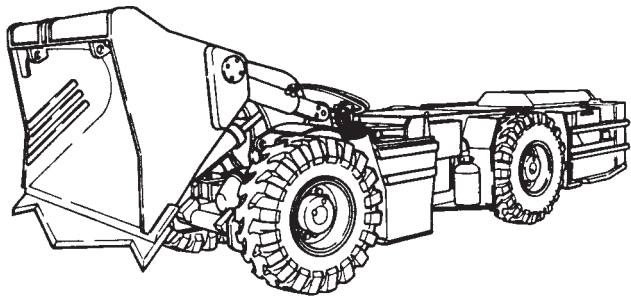
**BOART LONGYEAR  
AARDVARK 4.2 LOAD HAUL DUMPER  
3 WAY BALL VALVE ASSEMBLY**

Pg 170

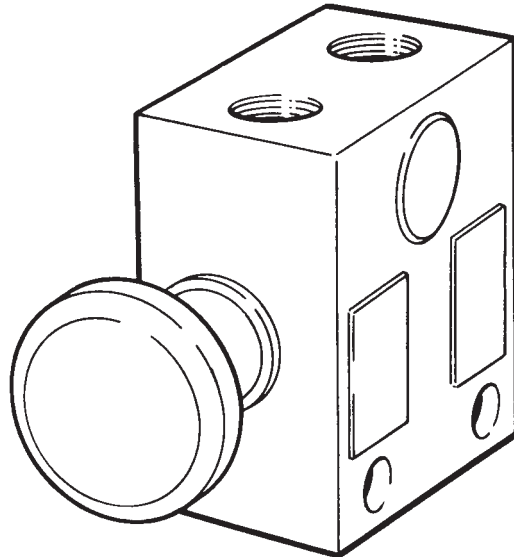
Pos Item P I	Comm. No.	See Page	Qty	Part No.	Description	Dwg. No.
7238 00			1	GH-91123000	<b>3 WAY BALL VALVE ASSEMBLY</b>  Note: Supplied as a unit	

**BOART LONGYEAR  
AARDVARK 4.2 LOAD HAUL DUMPER  
PARK BRAKE MUSHROOM VALVE ASSEMBLY**

DATE:  
REV:



P I  
7239 00



DATE:  
REV:

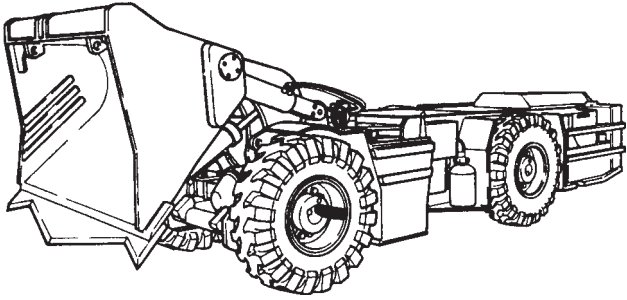
**BOART LONGYEAR  
AARDVARK 4.2 LOAD HAUL DUMPER  
PARK BRAKE MUSHROOM VALVE ASSEMBLY**

Pg 171

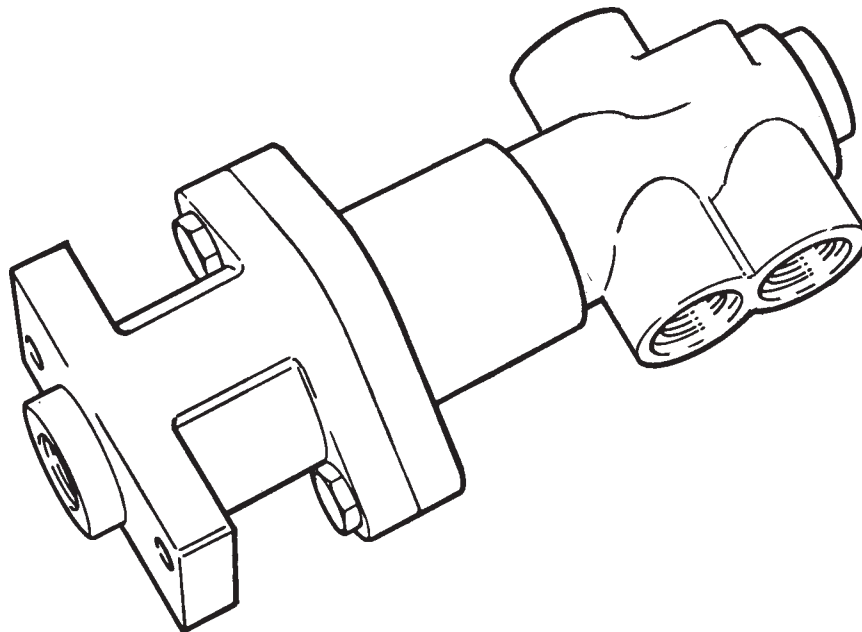
Pos Item P I	Comm. No.	See Page	Qty	Part No.	Description	Dwg. No.
7239 00			1/2	GH-90309000	<b>PARK BRAKE MUSHROOM VALVE ASSEMBLY</b>  Note: Supplied as a unit	

**BOART LONGYEAR  
AARDVARK 4.2 LOAD HAUL DUMPER  
BRAKE VALVE ASSEMBLY**

DATE:  
REV:



P I  
7241 00



DATE:  
REV:

**BOART LONGYEAR  
AARDVARK 4.2 LOAD HAUL DUMPER  
BRAKE VALVE ASSEMBLY**

Pg 172

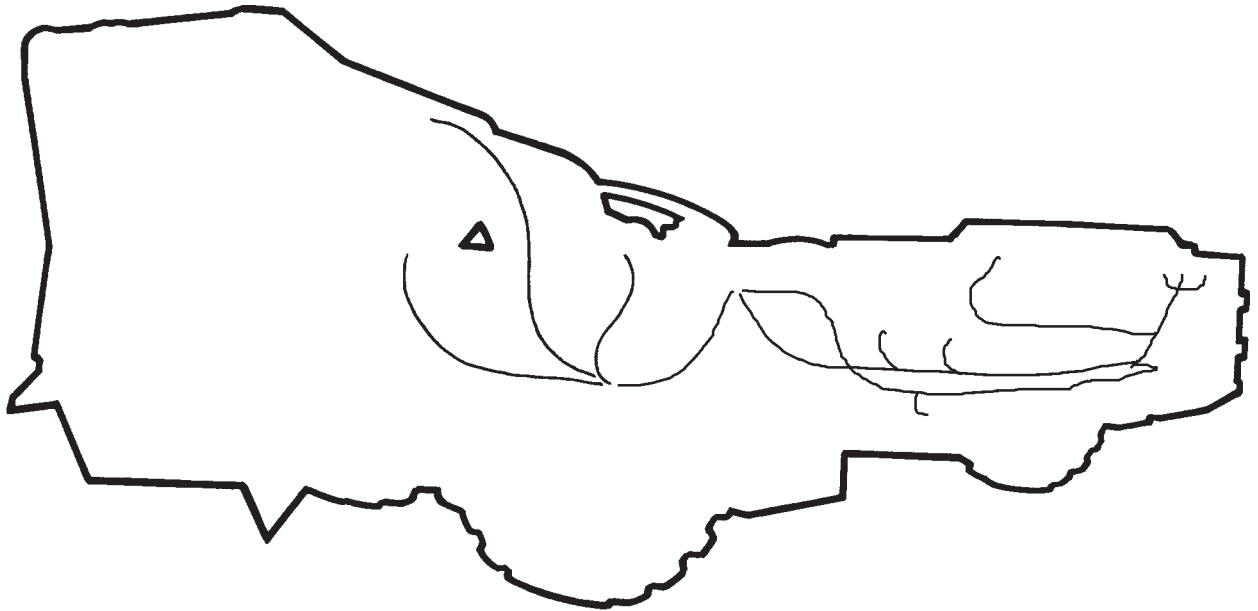
Pos Item P I	Comm. No.	See Page	Qty	Part No.	Description	Dwg. No.
7241 00			1	9000021	<b>BRAKE VALVE ASSEMBLY</b>  Note: Supplied as a unit	



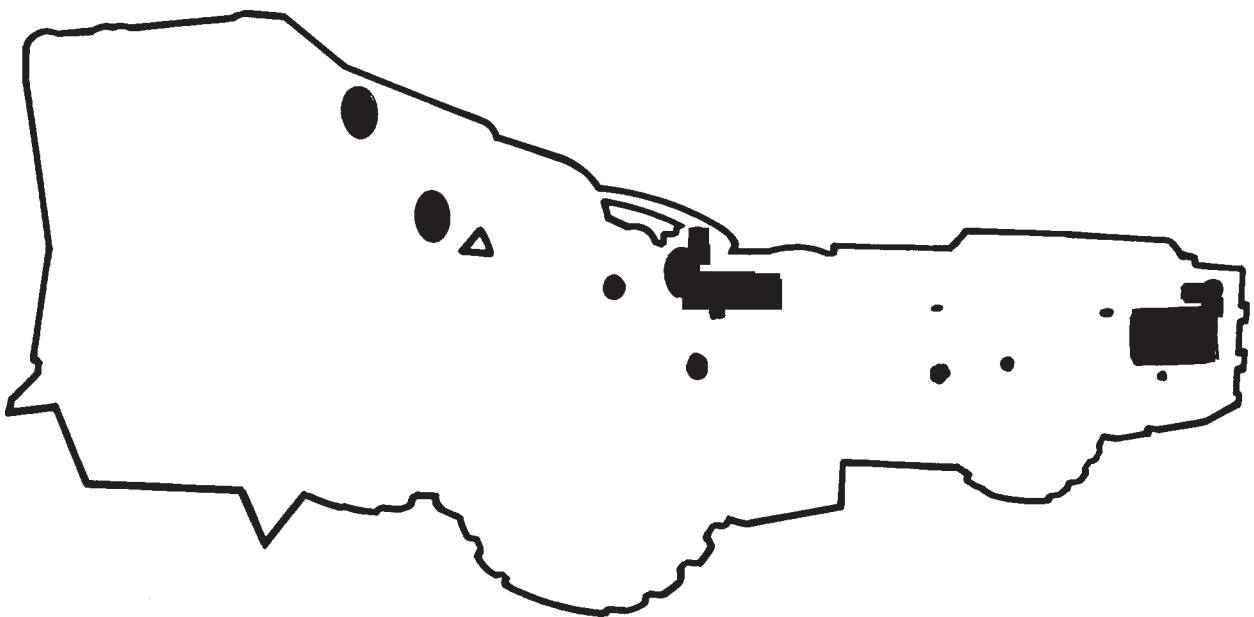
**PAGES 173 TO 190 LEFT BLANK  
FOR FUTURE USE**

BOART LONGYEAR  
AARDVARK 4.2 LOAD HAUL DUMPER  
ELECTRICAL GROUP

DATE:  
REV:



P I  
9100 00



P I  
9200 00



DATE:  
REV:

**BOART LONGYEAR  
AARDVARK 4.2 LOAD HAUL DUMPER  
ELECTRICAL GROUP**

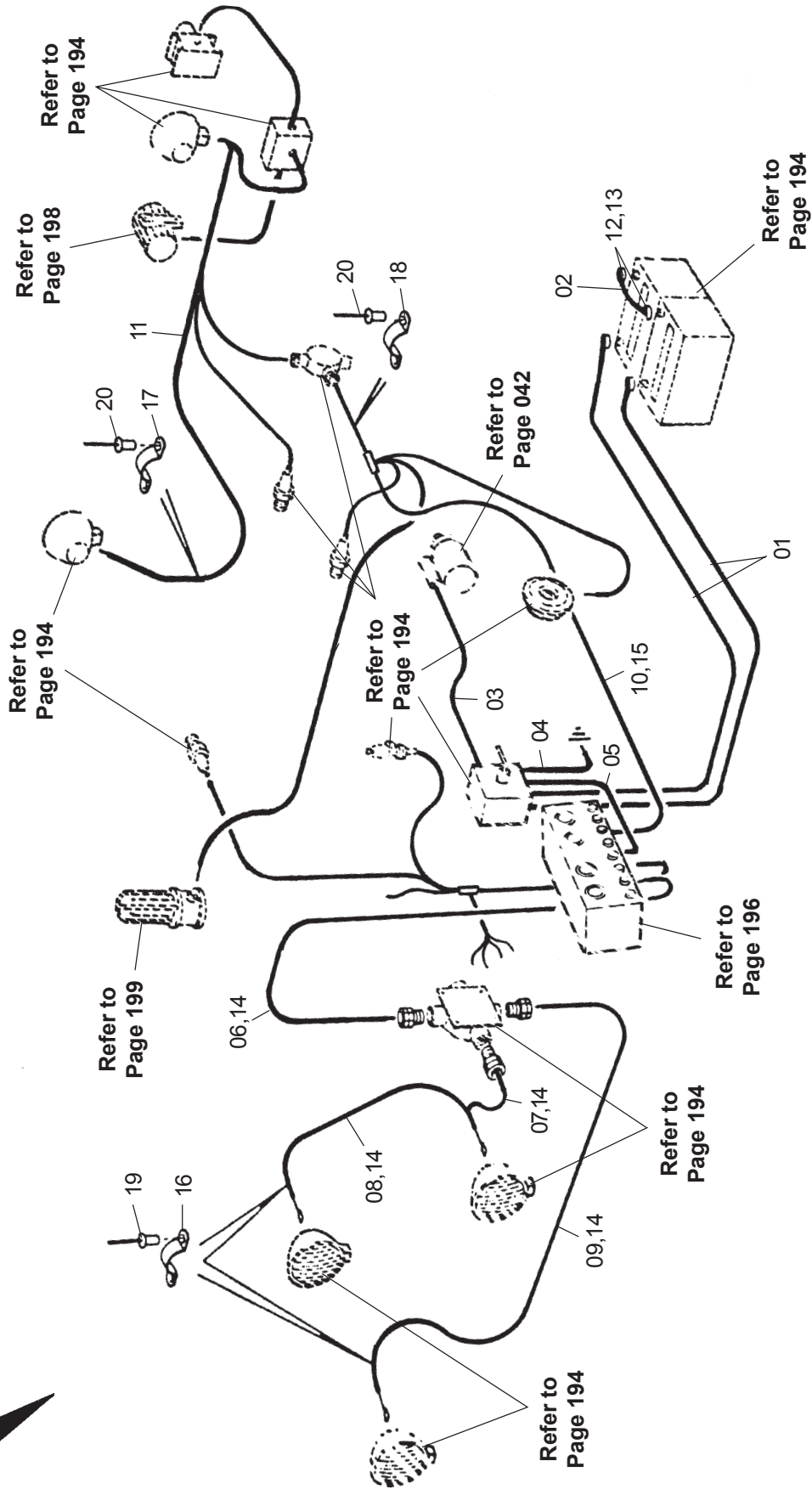
Pg 191

Pos	Item	Comm. No.	See Page	Qty	Part No.	Description	Dwg. No.
P	I						
9000	00			1		<b>ELECTRICAL GROUP</b>	
9100	00		192	1	9001188	<b>ELECTRICAL CIRCUIT ASSEMBLY - F6L912W AIR COOLED ENGINE</b>	
9100	00		193	1	9001192	<b>ELECTRICAL CIRCUIT ASSEMBLY - BF4M1013 WATER COOLED ENGINE</b>	
9200	00		194	1	9001188	<b>ELECTRICAL EQUIPMENT ASSEMBLY - F6L912W AIR COOLED ENGINE</b>	
9200	00		195	1	9001192	<b>ELECTRICAL EQUIPMENT ASSEMBLY - BF4M1013 WATER COOLED ENGINE</b>	
<p><b>NOTE:</b> Manufacturers Electrical Schematic Diagrams are located at the back of this group</p>							

BOART LONGYEAR  
AARDVARK 4.2 LOAD HAUL DUMPER  
ELECTRICAL CIRCUIT ASSEMBLY -  
F6L912W AIR COOLED ENGINE

DATE:  
REV:

P I  
9100 00



DATE:  
REV:

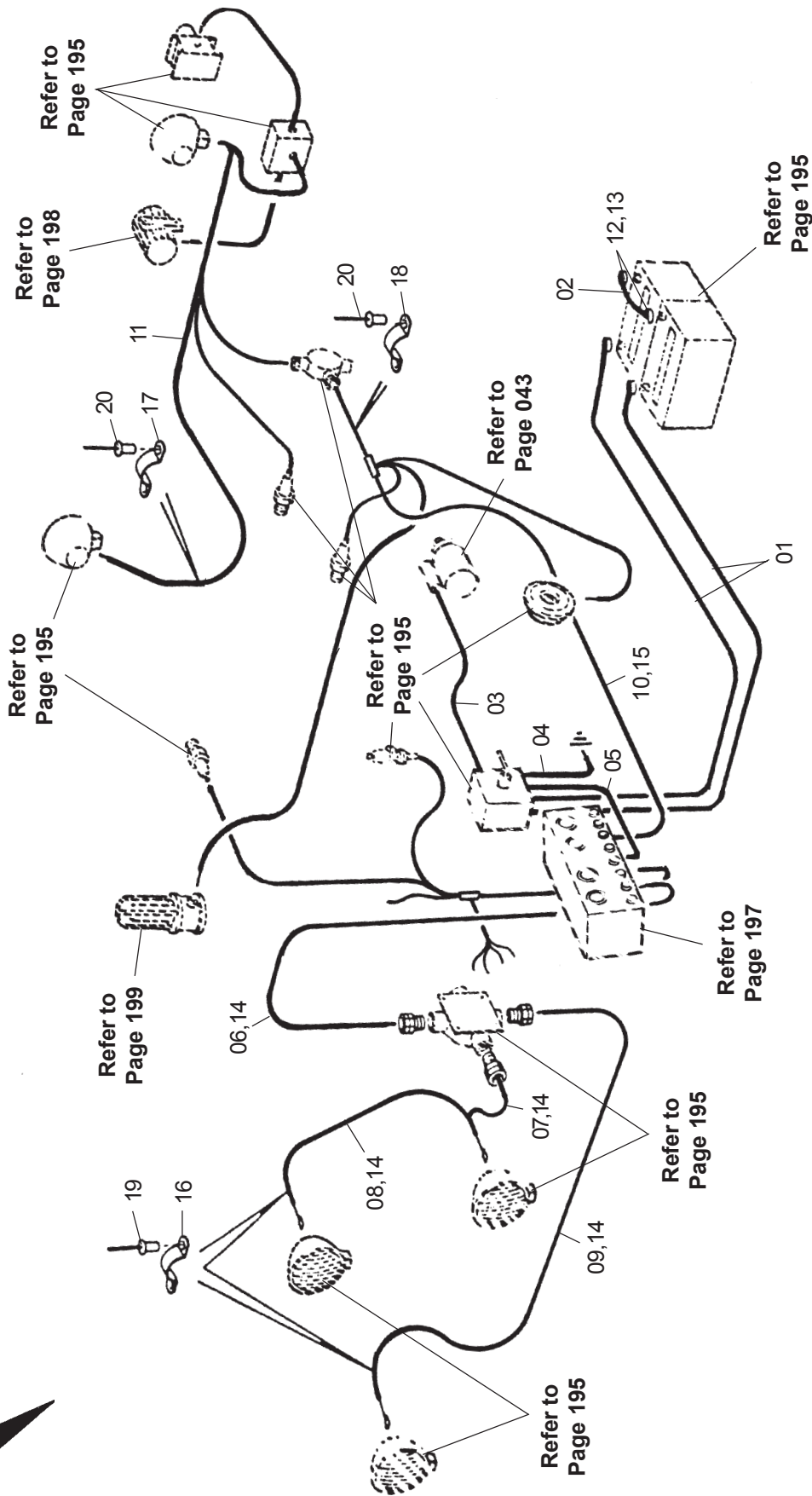
**BOART LONGYEAR  
AARDVARK 4.2 LOAD HAUL DUMPER  
ELECTRICAL CIRCUIT ASSEMBLY -  
F6L912W AIR COOLED ENGINE**

Pg 192

Pos	Item	Comm. No.	See Page	Qty	Part No.	Description	Dwg. No.
P	I						
9100	00			1	9001188	<b>ELECTRICAL CIRCUIT ASSEMBLY - F6L912W AIR COOLED ENGINE</b>	
	01			2		CABLE, Battery/Isolator Switch	
	02			1		CABLE, Battery Link	
	03			1		CABLE, Isolator Switch/Starter	
	04			1		CABLE, Earth	
	05			1		HARNESS, Isolator Switch/Instrument Panel	
	06			1		HARNESS, Front Supply	
	07			1		HARNESS, LH Front Light	
	08			1		HARNESS, Middle Front Light	
	09			1		HARNESS, RH Front Light	
	10			1		HARNESS, Rear Supply	
	11			1		HARNESS, Auxillary Supply	
	12			2	GH-85206029	TERMINAL, Battery - Positive	
	13			2	GH-85206030	TERMINAL, Battery - Negative	
	14			AR	GH-91051000	SLEEVING, Harness, 16mm Clear	
	15			AR	GH-91052000	SLEEVING, Harness, 20mm Grey	
	16			AR	GH-91053000	SADDLE, Harness, 16mm	
	17			AR	GH-91054000	SADDLE, Harness, 20mm	
	18			AR	GH-999060	SADDLE, Harness	
	19			AR	GH-91055000	RIVET, Pop, Dia. 3,2mm	
	20			AR	GH-91056000	RIVET, Pop, Dia. 4mm	
						AR - As Required	

**BOART LONGYEAR  
AARDVARK 4.2 LOAD HAUL DUMPER  
ELECTRICAL CIRCUIT ASSEMBLY -  
BF4M1013 WATER COOLED ENGINE**

DATE:  
REV:



P I  
9100 00



DATE:  
REV:

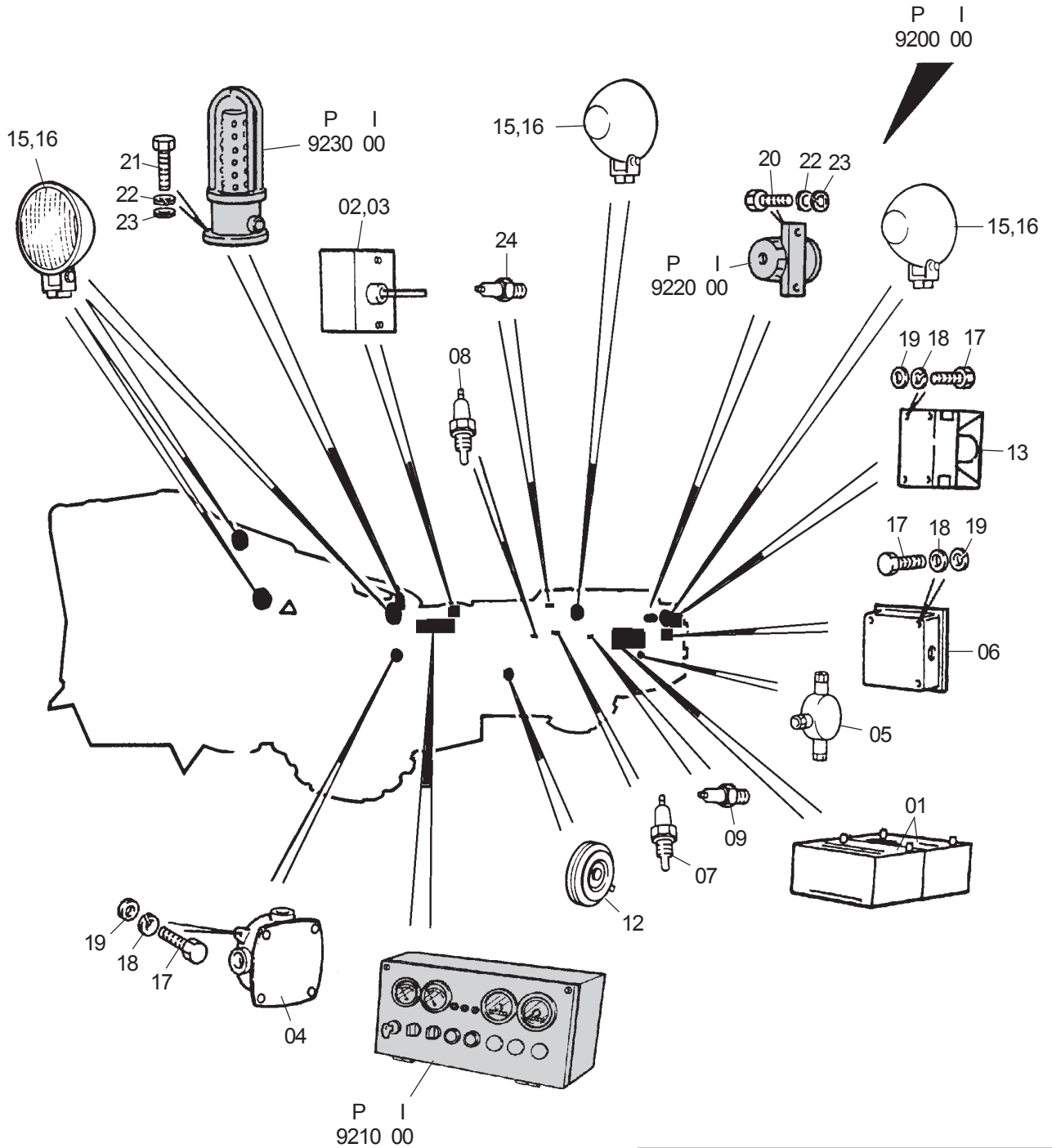
**BOART LONGYEAR  
AARDVARK 4.2 LOAD HAUL DUMPER  
ELECTRICAL CIRCUIT ASSEMBLY -  
BF4M1013 WATER COOLED ENGINE**

Pg 193

Pos	Item	Comm. No.	See Page	Qty	Part No.	Description	Dwg. No.
P	I						
9100	00			1	9001192	<b>ELECTRICAL CIRCUIT ASSEMBLY - BF4M1013 WATER COOLED ENGINE</b>	
	01			2		CABLE, Battery/Isolator Switch	
	02			1		CABLE, Battery Link	
	03			1		CABLE, Isolator Switch/Starter	
	04			1		CABLE, Earth	
	05			1		HARNESS, Isolator Switch/Instrument Panel	
	06			1		HARNESS, Front Supply	
	07			1		HARNESS, LH Front Light	
	08			1		HARNESS, Middle Front Light	
	09			1		HARNESS, RH Front Light	
	10			1		HARNESS, Rear Supply	
	11			1		HARNESS, Auxillary Supply	
	12			2	GH-85206029	TERMINAL, Battery - Positive	
	13			2	GH-85206030	TERMINAL, Battery - Negative	
	14			AR	GH-91051000	SLEEVING, Harness, 16mm Clear	
	15			AR	GH-91052000	SLEEVING, Harness, 20mm Grey	
	16			AR	GH-91053000	SADDLE, Harness, 16mm	
	17			AR	GH-91054000	SADDLE, Harness, 20mm	
	18			AR	GH-999060	SADDLE, Harness	
	19			AR	GH-91055000	RIVET, Pop, Dia. 3,2mm	
	20			AR	GH-91056000	RIVET, Pop, Dia. 4mm	
						AR - As Required	

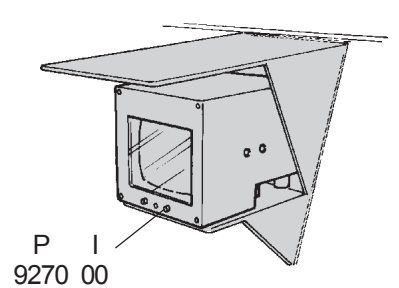
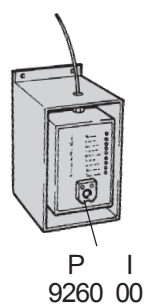
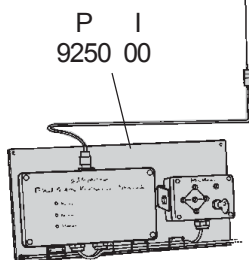
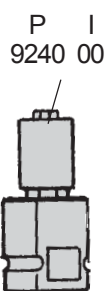
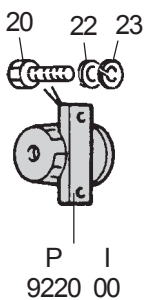
BOART LONGYEAR  
AARDVARK 4.2 LOAD HAUL DUMPER  
ELECTRICAL EQUIPMENT ASSEMBLY -  
F6L912W AIR COOLED ENGINE

DATE:  
REV:



ITEMS NOT ILLUSTRATED - 10, 11, 14

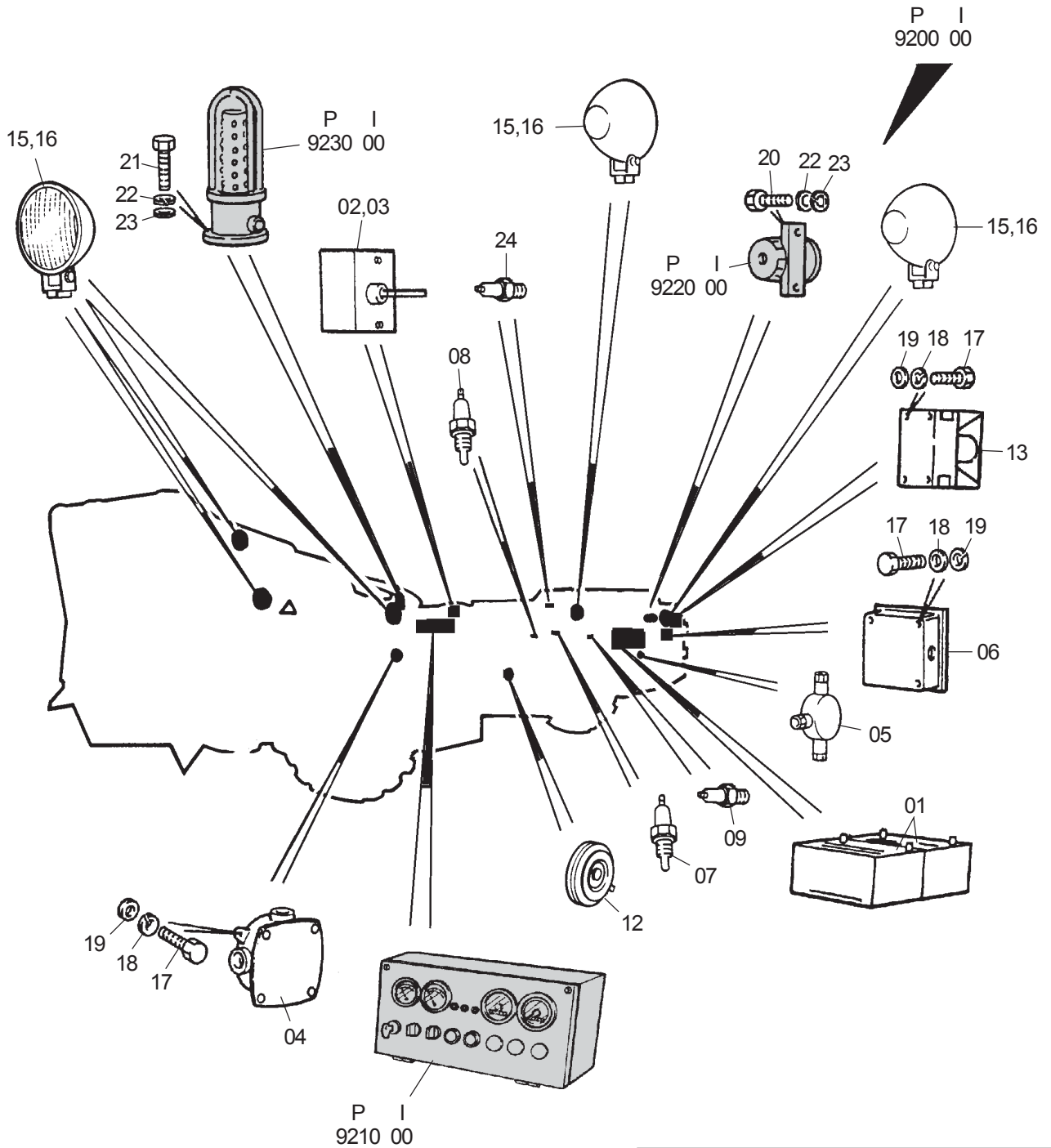
OPTIONAL



Pos	Item	Comm. No.	See Page	Qty	Part No.	Description	Dwg. No.
P	I						
9200	00			1	9001188	<b>ELECTRICAL EQUIPMENT ASSEMBLY - F6L912W AIR COOLED ENGINE</b>	
	01			2	UV-0100455	BATTERY	
	02			1	GH-87063000	SWITCH, Isolator	
	03			1	GH-91058000	BOX, Isolator	
	04			1	GH-91059000	BOX, 4-Way (Pratley)	
	05			1	GH-90150000	BOX, 3-Way (Pratley)	
	06			1	GH-90075000	BOX, Flashing Light	
	07			1	UV-71000011	SWITCH, Pressure - Reverse Light	
	08			1	UV-0100534	SWITCH, Pressure - Transmission Hour Meter (Optional)	
	09			1	GH-78283000	SWITCH, Pressure - Engine Oil	
	10			1	UV-71800001	SWITCH, Proximity (Optional) (Not Illustrated)	
	11			1	UV-81400009	SWITCH, Seat Belt (Optional) (Not Illustrated)	
	12			1	GH-85206022	HORN	
	13			1	UV-7200006	HOOTER, Reverse	
	14			2	UV-71300071	LIGHT, Brake (Optional) (Not Illustrated)	
	15			5	UV-0100902	BEAM, Sealed - 24V	
	16			5	UV-0100903	HOLDER, Seal Beam c/w Attaching Parts	
	17			10	105-M6-15	SCREW, Hex Hd, M6 x 15 lg	
	18			14	143-M6	WASHER, Spring, Dia. 6	
	19			14	141-M6	WASHER, Flat, Dia.6	
	20			2	109-M8-35	SCREW, Cap Soc Hex Hd, M8 x 35 lg	
	21			4	105-M8-25	SCREW, Hex Hd, M8 x 25 lg	
	22			6	143-M8	WASHER, Spring, Dia. 8	
	23			6	141-M8	WASHER, Flat, Dia. 8	
	24			1	UV-0100457	SWITCH, Pressure - Brake (Optional)	
9210	00		196	1	9001188	<b>INSTRUMENT PANEL ASSEMBLY</b>	
9220	00		198	1	GH-91081000	<b>LIGHT ASSEMBLY (24V)</b>	
9230	00		199	1	GH-90060000	<b>ROTATING LIGHT ASSEMBLY</b>	
9220	00		198	5	GH-91081000	<b>OPTIONAL LIGHT ASSEMBLY (24V)</b>	
9240	00		200	1	UV-71800001	<b>BRAKE SOLENOID VALVE ASSEMBLY</b>	
9250	00		201	1	UV-72400014	<b>PERSONNEL DETECTION SYSTEM ASSEMBLY</b>	
9260	00		202	1	UV-72700005	<b>DRIVER MANAGEMENT SYSTEM ASSEMBLY</b>	
9270	00		203	1	UV-72700002	<b>ONBOARD CAMERA AND MONITOR SYSTEM ASSEMBLY</b>	

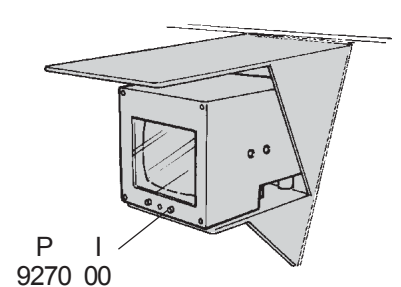
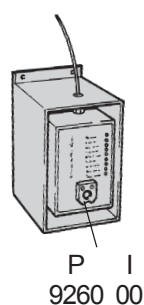
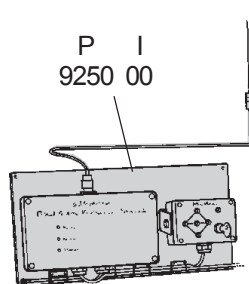
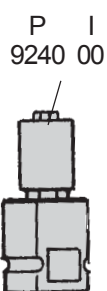
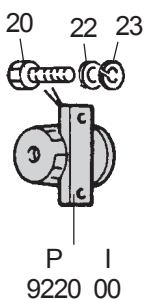
BOART LONGYEAR  
AARDVARK 4.2 LOAD HAUL DUMPER  
ELECTRICAL EQUIPMENT ASSEMBLY -  
BF4M1013 WATER COOLED ENGINE

DATE:  
REV:



ITEMS NOT ILLUSTRATED - 10, 11, 14

OPTIONAL

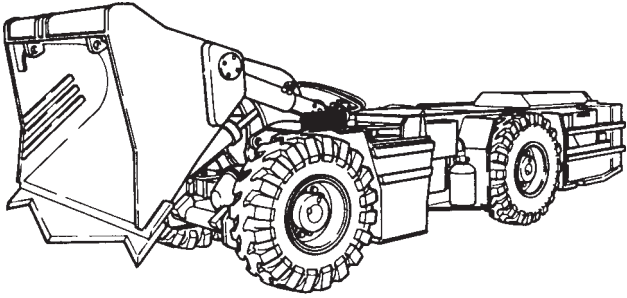




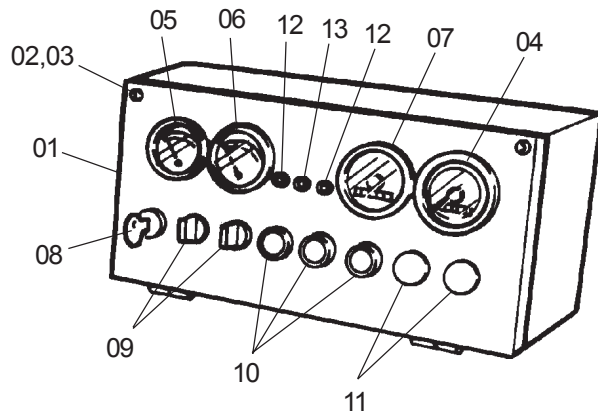
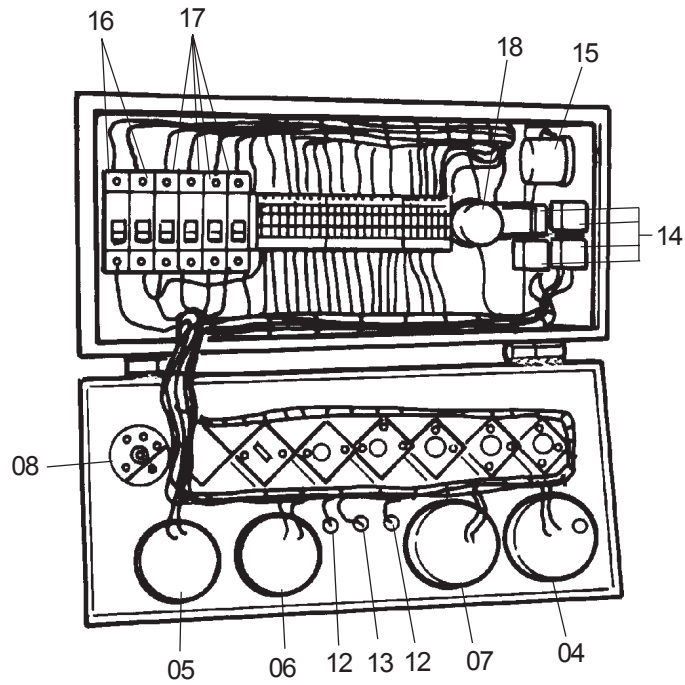
Pos	Item	Comm. No.	See Page	Qty	Part No.	Description	Dwg. No.
P	I						
9200	00			1	9001192	<b>ELECTRICAL EQUIPMENT ASSEMBLY - BF4M1013 WATER COOLED ENGINE</b>	
	01			2	UV-0100455	BATTERY	
	02			1	UV-0100560	SWITCH, Isolator	
	03			1	GH-91058000	BOX, Isolator	
	04			1	GH-91059000	BOX, 4-Way (Pratley)	
	05			1	GH-90150000	BOX, 3-Way (Pratley)	
	06			1	GH-90075000	BOX, Flashing Light	
	07			1	UV-71000011	SWITCH, Pressure - Reverse Light	
	08			1	UV-0100534	SWITCH, Pressure - Transmission Hour Meter (Optional)	
	09			1	GH-78283000	SWITCH, Pressure - Engine Oil	
	10			1	UV-71800001	SWITCH, Proximity (Optional) (Not Illustrated)	
	11			1	UV-81400009	SWITCH, Seat Belt (Optional) (Not Illustrated)	
	12			1	UV-0100474	HORN	
	13			1	UV-7200006	HOOTER, Reverse	
	14			2	UV-71300071	LIGHT, Brake (Optional) (Not Illustrated)	
	15			5	UV-0100902	BEAM, Sealed - 24V	
	16			5	UV-0100903	HOLDER, Seal Beam c/w Attaching Parts	
	17			10	105-M6-15	SCREW, Hex Hd, M6 x 15 lg	
	18			14	143-M6	WASHER, Spring, Dia. 6	
	19			14	141-M6	WASHER, Flat, Dia.6	
	20			2	109-M8-35	SCREW, Cap Soc Hex Hd, M8 x 35 lg	
	21			4	105-M8-25	SCREW, Hex Hd, M8 x 25 lg	
	22			6	143-M8	WASHER, Spring, Dia. 8	
	23			6	141-M8	WASHER, Flat, Dia. 8	
	24			1	UV-0100467	SWITCH, Pressure - Brake (Optional)	
9210	00		197	1	9001192	<b>INSTRUMENT PANEL ASSEMBLY</b>	
9220	00		198	1	GH-91081000	<b>LIGHT ASSEMBLY (24V)</b>	
9230	00		199	1	GH-90060000	<b>ROTATING LIGHT ASSEMBLY</b>	
9220	00		198	5	GH-91081000	<b>OPTIONAL LIGHT ASSEMBLY (24V)</b>	
9240	00		200	1	UV-71800001	<b>BRAKE SOLENOID VALVE ASSEMBLY</b>	
9250	00		201	1	UV-72400014	<b>PERSONNEL DETECTION SYSTEM ASSEMBLY</b>	
9260	00		202	1	UV-72700005	<b>DRIVER MANAGEMENT SYSTEM ASSEMBLY</b>	
9270	00		203	1	UV-72700002	<b>ONBOARD CAMERA AND MONITOR SYSTEM ASSEMBLY</b>	

BOART LONGYEAR  
AARDVARK 4.2 LOAD HAUL DUMPER  
INSTRUMENT PANEL ASSEMBLY

DATE:  
REV:



P I  
9210 00



ITEM NOT ILLUSTRATED - 19

DATE:  
REV:

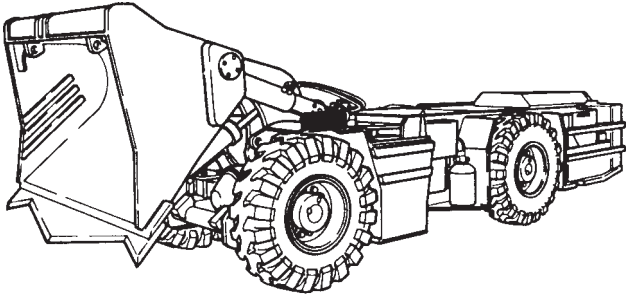
**BOART LONGYEAR  
AARDVARK 4.2 LOAD HAUL DUMPER  
INSTRUMENT PANEL ASSEMBLY**

Pg 196

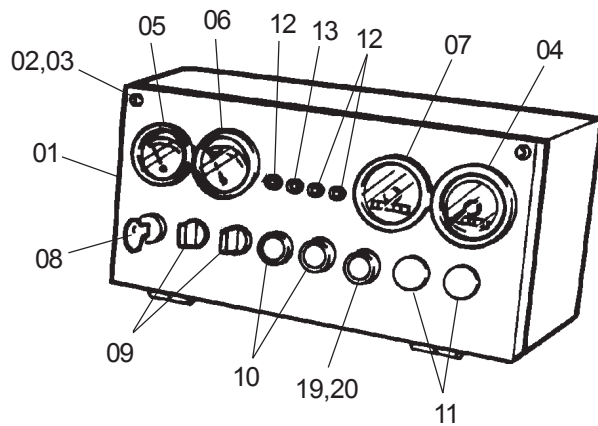
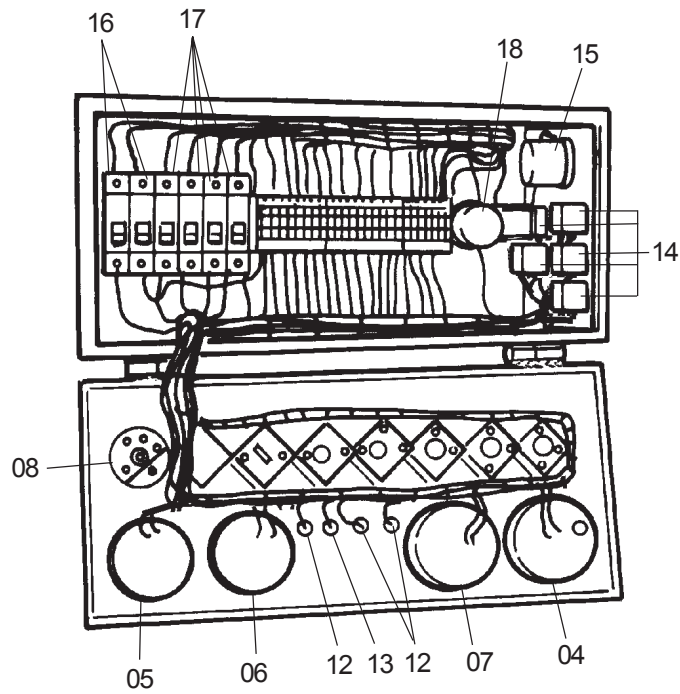
Pos	Item	Comm. No.	See Page	Qty	Part No.	Description	Dwg. No.
P	I						
9210	00			1	9001188	<b>INSTRUMENT PANEL ASSEMBLY</b>	
	01			1	9001029	PANEL, Instrument	
	02			2		WASHER, Spring	
	03			2		NUT, Hex Nyloc	
	04			1	GH-85206045	HOURMETER, Engine	
	05			1	UV-0100447	GAUGE, Engine Temperature	
	06			1	UV-0100445	VOLTMETER	
	06			1	9000388	AMMETER (Optional)	
	07			1	UV-0100444	HOURMETER, Transmission (Optional)	
	08			1	UV-0101118	SWITCH, Ignition - On/Off	
	09			2	UV-71000040	SWITCH, Light	
	10			3	UV-71000026	PUSHBUTTON	
	11			2		PLUG, Blanking	
	12			2	9001119	LED - Red	
	13			1	9001120	LED - Amber	
	14			4	GH-87457000	RELAY	
	15			1	GH-91019000	BUZZER	
	16			2	9001117	BREAKER, Circuit, 50A	
	17			4	9001111	BREAKER, Circuit, 15A	
	18			1	UV-71000056	FLASHER UNIT c/w Base	
	19			1	GH-58360000	RESISTOR (Not Illustrated)	

# BOART LONGYEAR AARDVARK 4.2 LOAD HAUL DUMPER INSTRUMENT PANEL ASSEMBLY

DATE:  
REV:



P I  
9210 00



DATE:  
REV:

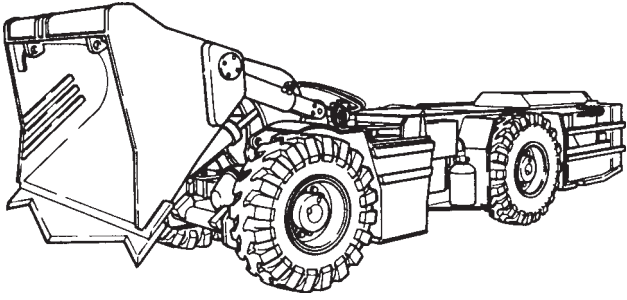
**BOART LONGYEAR  
AARDVARK 4.2 LOAD HAUL DUMPER  
INSTRUMENT PANEL ASSEMBLY**

Pg 197

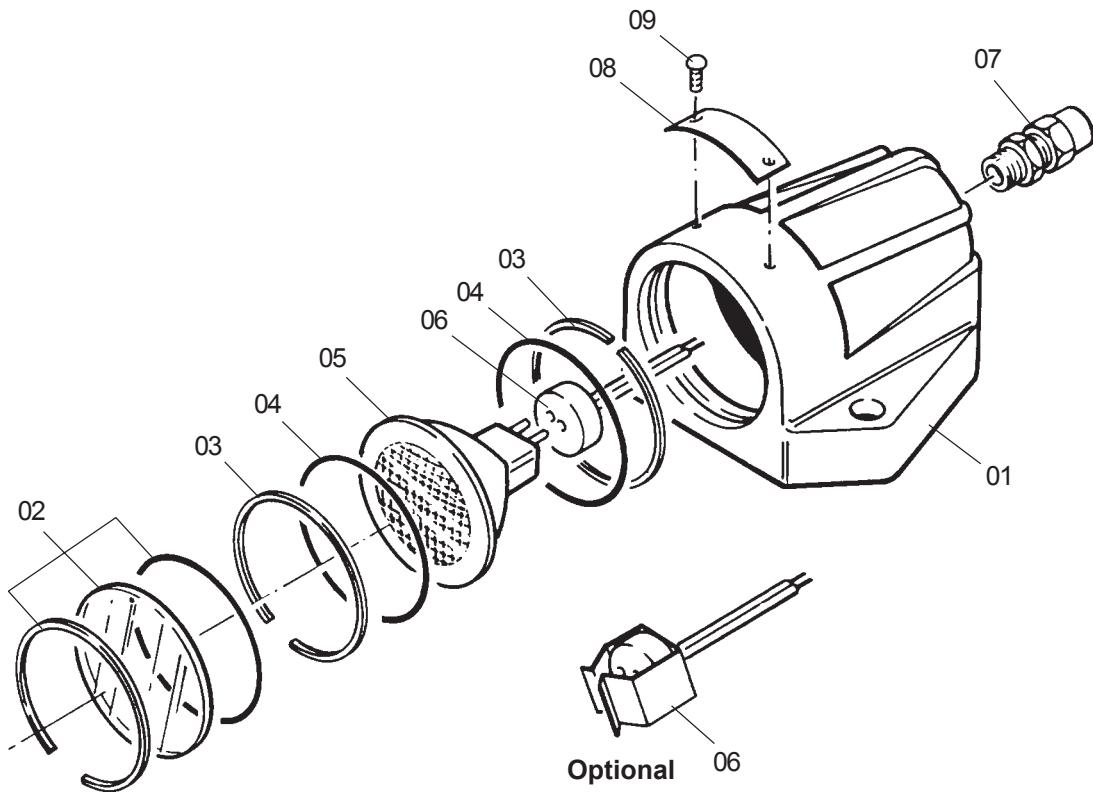
Pos	Item	Comm. No.	See Page	Qty	Part No.	Description	Dwg. No.
P	I						
9210	00			1	9001192	<b>INSTRUMENT PANEL ASSEMBLY</b>	
	01			1	9001029	PANEL, Instrument	
	02			2		WASHER, Spring	
	03			2		NUT, Hex Nyloc	
	04			1	GH-85206045	HOURMETER, Engine	
	05			1	UV-0100446	GAUGE, Engine Temperature	
	06			1	UV-0100445	VOLTMETER	
	07			1	UV-0100444	HOURMETER, Transmission (Optional)	
	08			1	UV-0101118	SWITCH, Ignition - On/Off	
	09			2	UV-71000040	SWITCH, Light	
	10			2	UV-71000026	PUSHBUTTON	
	11			2		PLUG, Blanking	
	12			3	9001119	LED - Red	
	13			1	9001120	LED - Amber	
	14			5	UV-0101337	RELAY	
	15			1	GH-91019000	BUZZER	
	16			2	9001117	BREAKER, Circuit, 50A	
	17			4	9001111	BREAKER, Circuit, 15A	
	18			1	UV-71000056	FLASHER UNIT c/w Base	
	19			1	D7510	PUSHBUTTON - Red	
	20			1	UV-0101143	BLOCK, Contact	

BOART LONGYEAR  
AARDVARK 4.2 LOAD HAUL DUMPER  
LIGHT ASSEMBLY (24V)

DATE:  
REV:



P I  
9220 00



DATE:  
REV:

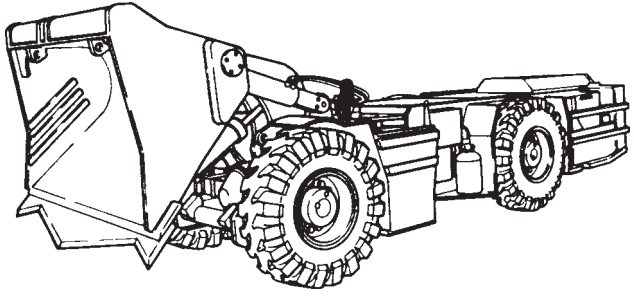
**BOART LONGYEAR  
AARDVARK 4.2 LOAD HAUL DUMPER  
LIGHT ASSEMBLY (24V)**

Pg 198

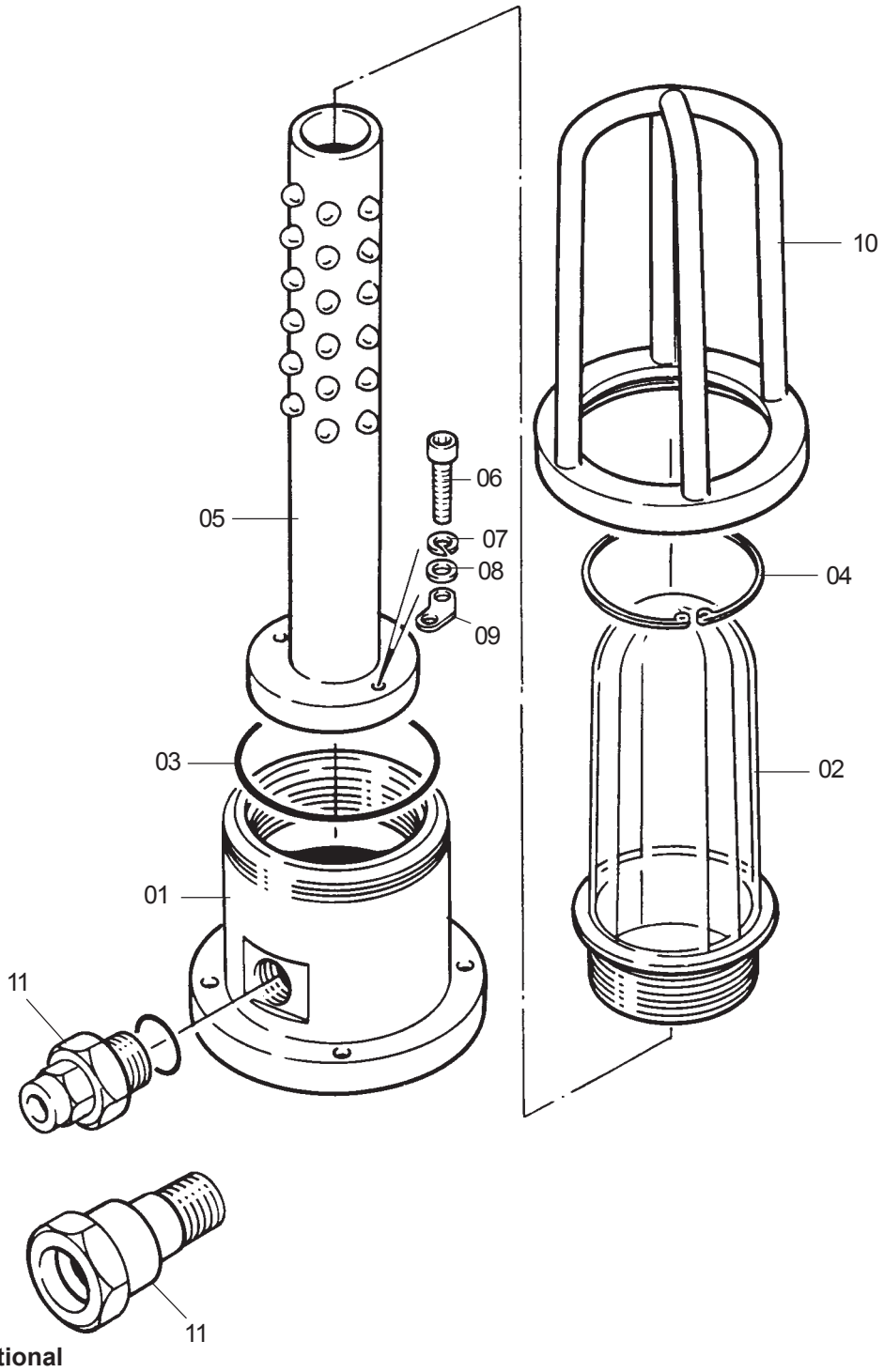
Pos	Item	Comm. No.	See Page	Qty	Part No.	Description	Dwg. No.
P	I						
9220	00			1/6	<b>GH-91081000</b>	<b>LIGHT ASSEMBLY (24V)</b>	
	01			1	GH-91082000	HOUSING	
	02			1	UV-71300081	KIT, Lens - Clear	
	03			2	GH-91086000	RING, Snap	
	04			2	GH-91087000	O-RING	
	05			1	GH-91065000	BULB - White	
	06			1	GH-91085000	SOCKET, Bulb	
	06			1	GH-91186000	ADAPTOR, Lamp (Optional)	
	07			1	GH-91088000	GLAND	
	08			1	GH-91026000	DECAL	
	09			2	GH-91185000	SCREW	

BOART LONGYEAR  
AARDVARK 4.2 LOAD HAUL DUMPER  
ROTATING LIGHT ASSEMBLY

DATE:  
REV:



P I  
9230 00





DATE:  
REV:

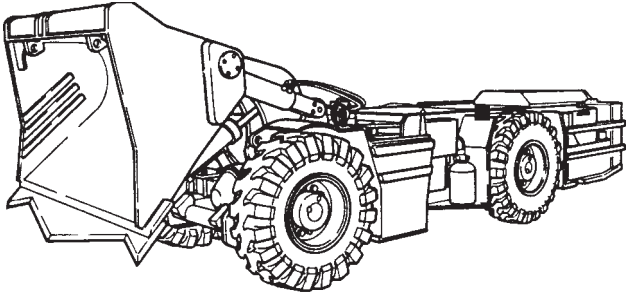
**BOART LONGYEAR  
AARDVARK 4.2 LOAD HAUL DUMPER  
ROTATING LIGHT ASSEMBLY**

Pg 199

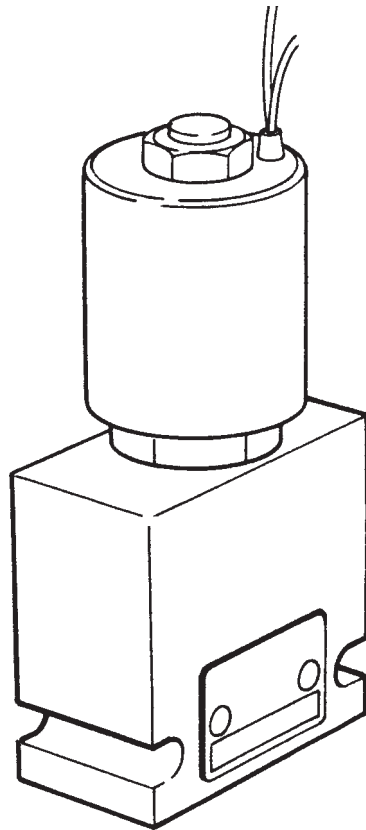
Pos	Item	Comm. No.	See Page	Qty	Part No.	Description	Dwg. No.
P	I						
9230	00			1	<b>GH-90060000</b>	<b>ROTATING LIGHT ASSEMBLY</b>	
	01			1	GH-90136000	HOUSING	
	02			1	GH-90262000	LENS	
	03			1	GH-90265000	O-RING	
	04			1	GH-90260000	CLIP, Lock	
	05			1	GH-90162000	LAMP, LED - Red	
	05			1	GH-90258000	LAMP, LED - Green	
	05			1	GH-90259000	LAMP, LED - Amber	
	06			2	GH-90153000	SCREW, Cap Soc Hex Hd	
	07			2	GH-25401000	WASHER, Spring	
	08			2	GH-25003000	WASHER, Flat	
	09			2	GH-90138000	LUG, Ground	
	10			1	GH-90261000	GUARD, Heavy Duty	
	11			1	GH-90266000	GLAND, Cable	
	11			1	GH-90363000	GLAND, Enlarger (Optional)	

**BOART LONGYEAR  
AARDVARK 4.2 LOAD HAUL DUMPER  
BRAKE SOLENOID VALVE ASSEMBLY**

DATE:  
REV:



P I  
9240 00



DATE:  
REV:

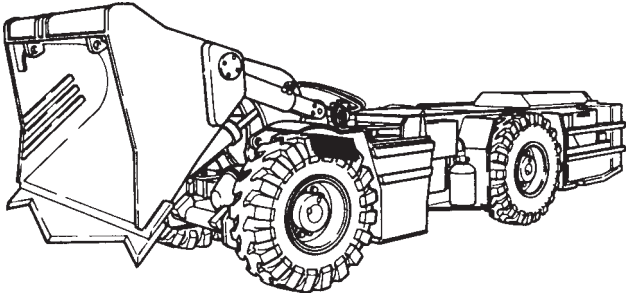
**BOART LONGYEAR  
AARDVARK 4.2 LOAD HAUL DUMPER  
BRAKE SOLENOID VALVE ASSEMBLY**

Pg 200

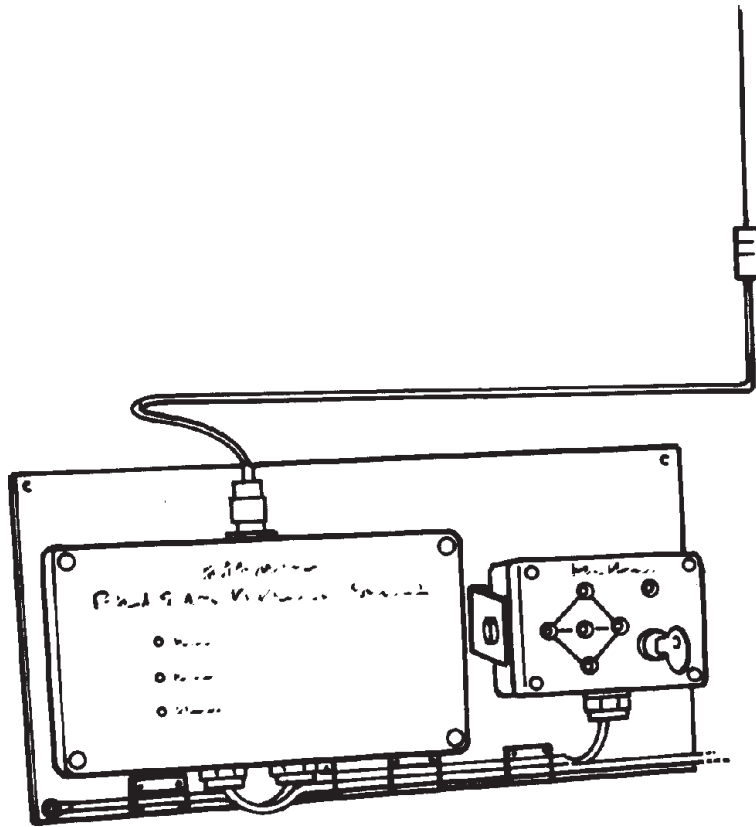
Pos Item P I	Comm. No.	See Page	Qty	Part No.	Description	Dwg. No.
9240 00			1	UV-71800001	<b>BRAKE SOLENOID VALVE ASSEMBLY</b>  Note: Supplied as a unit	

BOART LONGYEAR  
AARDVARK 4.2 LOAD HAUL DUMPER  
PERSONNEL DETECTION SYSTEM ASSEMBLY

DATE:  
REV:



P I  
9250 00



DATE:  
REV:

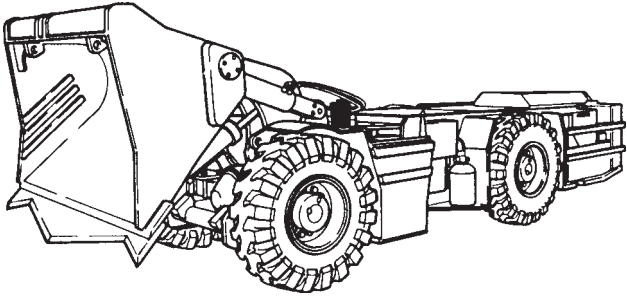
**BOART LONGYEAR  
AARDVARK 4.2 LOAD HAUL DUMPER  
PERSONNEL DETECTION SYSTEM ASSEMBLY**

Pg 201

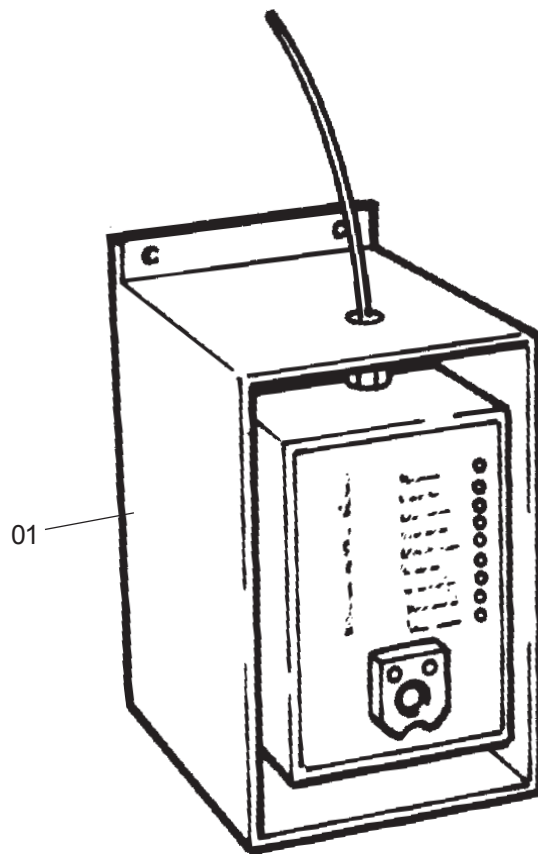
Pos	Item	Comm. No.	See Page	Qty	Part No.	Description	Dwg. No.
9250	00			1	UV-72400014	<b>PERSONNEL DETECTION SYSTEM ASSEMBLY</b>  Note: Supplied as a unit	

**BOART LONGYEAR  
AARDVARK 4.2 LOAD HAUL DUMPER  
DRIVER MANAGEMENT SYSTEM ASSEMBLY**

DATE:  
REV:



P I  
9260 00



DATE:  
REV:

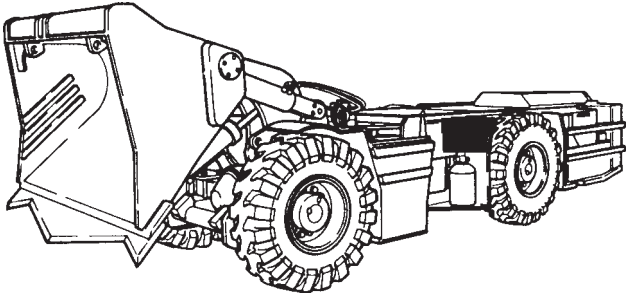
**BOART LONGYEAR  
AARDVARK 4.2 LOAD HAUL DUMPER  
DRIVER MANAGEMENT SYSTEM ASSEMBLY**

Pg 202

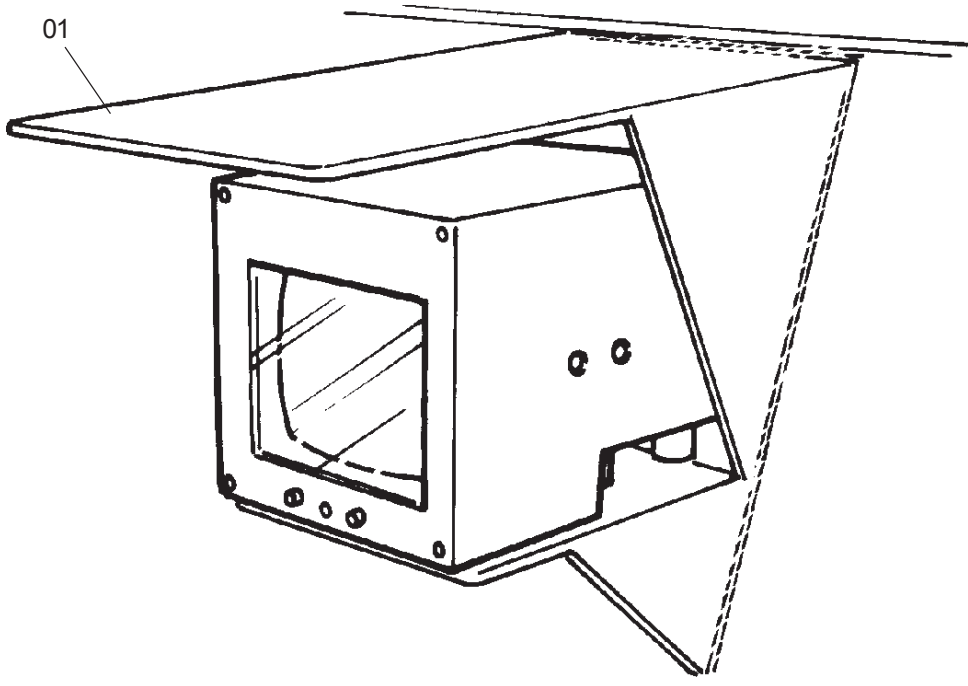
Pos	Item	Comm. No.	See Page	Qty	Part No.	Description	Dwg. No.
9260	00			1	UV-72700005	<b>DRIVER MANAGEMENT SYSTEM ASSEMBLY</b>	
	01			1	9000072	BRACKET, Mounting  <b>Note:</b> Supplied as a unit	

**BOART LONGYEAR  
AARDVARK 4.2 LOAD HAUL DUMPER  
ONBOARD CAMERA AND MONITOR SYSTEM ASSEMBLY**

DATE:  
REV:



P I  
9270 00





DATE:  
REV:

**BOART LONGYEAR  
AARDVARK 4.2 LOAD HAUL DUMPER  
ONBOARD CAMERA AND MONITOR SYSTEM ASSEMBLY**

Pg 203

Pos	Item	Comm. No.	See Page	Qty	Part No.	Description	Dwg. No.
9270	00			1	UV-72700002	<b>ONBOARD CAMERA AND MONITOR SYSTEM ASSEMBLY</b> BRACKET, Mounting - Welded  <b>Note:</b> Supplied as a unit	
	01			1			



**PAGES 204 TO 210 LEFT BLANK  
FOR FUTURE USE**

BOART LONGYEAR  
AARDVARK 4.2 LOAD HAUL DUMPER  
LUBRICATION GROUP

DATE:  
REV:



DATE:  
REV:

**BOART LONGYEAR  
AARDVARK 4.2 LOAD HAUL DUMPER  
LUBRICATION GROUP**

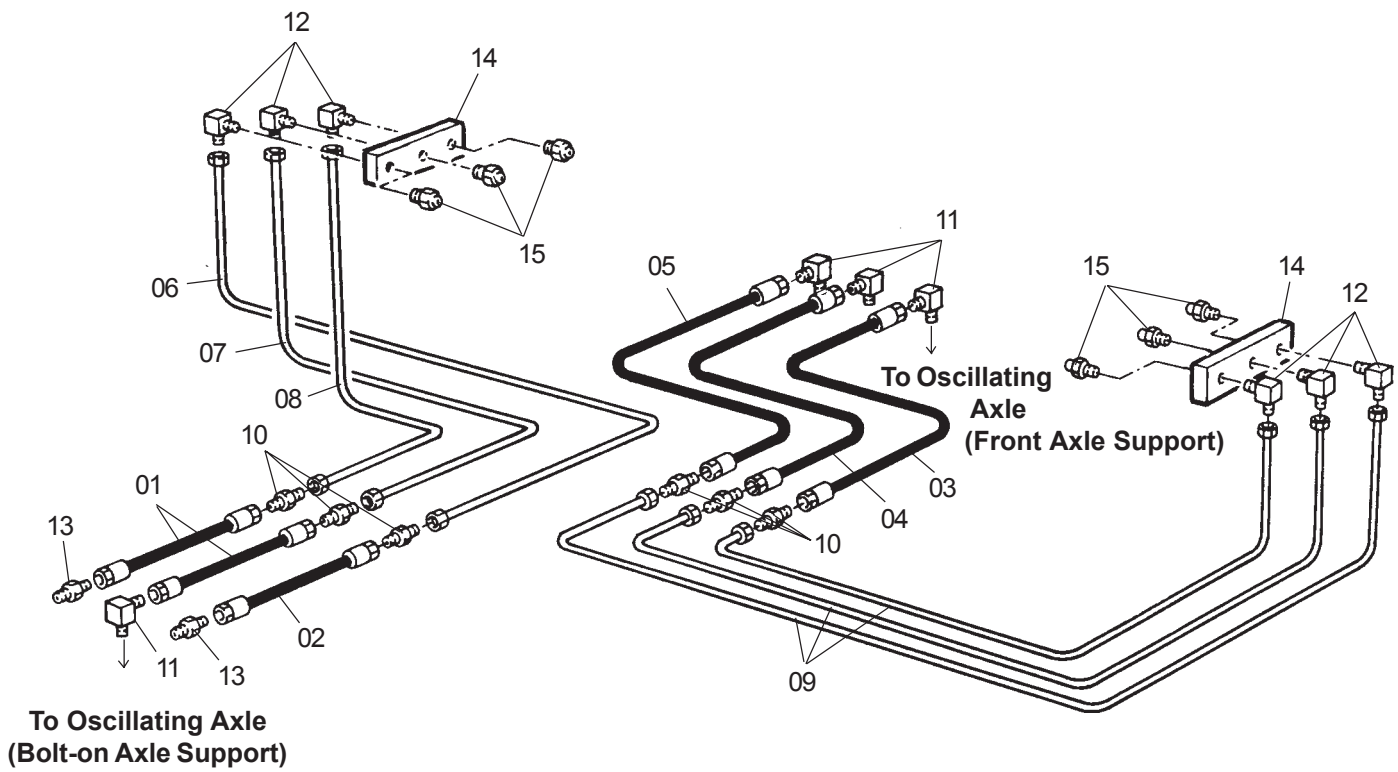
Pg 211

Pos Item P I	Comm. No.	See Page	Qty	Part No.	Description	Dwg. No.
11000 00			1		LUBRICATION GROUP	
11100 00		212	1	GH-909020938	LUBRICATION CIRCUIT ASSEMBLY	
11100 00		213	1	UV-84000041	OPTIONAL LUBRICATION CIRCUIT ASSEMBLY	

**BOART LONGYEAR  
AARDVARK 4.2 LOAD HAUL DUMPER  
LUBRICATION CIRCUIT ASSEMBLY**

DATE:  
REV:

P I  
11100 00



DATE:  
REV:

**BOART LONGYEAR  
AARDVARK 4.2 LOAD HAUL DUMPER  
LUBRICATION CIRCUIT ASSEMBLY**

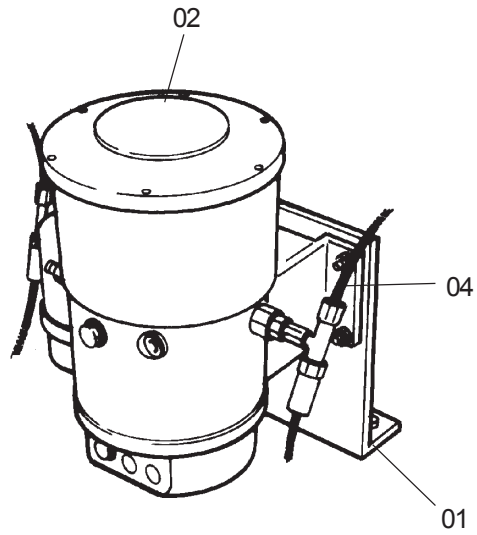
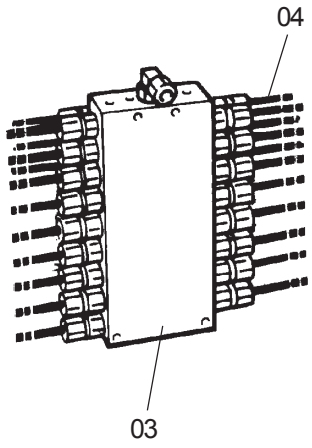
Pg 212

Pos	Item	Comm. No.	See Page	Qty	Part No.	Description	Dwg. No.
P	I						
11100	00			1	<b>GH-909020938</b>	<b>LUBRICATION CIRCUIT ASSEMBLY</b>	
	01			2		HOSE ASSEMBLY, Dia. 1/4" - 1/4" JIC Straight End - 1/4" JIC Straight End - 560 lg	
	02			1		HOSE ASSEMBLY, Dia. 1/4" - 1/4" JIC Straight End - 1/4" JIC Straight End - 370 lg	
	03			1		HOSE ASSEMBLY, Dia. 1/4" - 1/4" JIC Straight End - 1/4" JIC Straight End - 250 lg	
	04			1		HOSE ASSEMBLY, Dia. 1/4" - 1/4" JIC Straight End - 1/4" JIC Straight End - 550 lg	
	05			1		HOSE ASSEMBLY, Dia. 1/4" - 1/4" JIC Straight End - 1/4" JIC Straight End - 620 lg	
	06			1	GH-90317000	TUBE ASSEMBLY	
	07			1	GH-90316000	TUBE ASSEMBLY	
	08			1	GH-90315000	TUBE ASSEMBLY	
	09			3	GH-90314000	TUBE ASSEMBLY	
	10			6		ADAPTOR, Straight, Male, 1/4" JIC	
	11			4		ADAPTOR, 90° Elbow, Male, 1/8" BSP - 1/4" JIC	
	12			6		ADAPTOR, 90° Elbow, Male, 1/4" BSP - 1/4" JIC	
	13			2		ADAPTOR, Straight, 1/8" BSP - 1/4" JIC	
	14			2	GH-909040805	BLOCK, Manifold - Welded	
	15			6		ADAPTOR, Grease Straight, Male, M10 x 1	

BOART LONGYEAR  
AARDVARK 4.2 LOAD HAUL DUMPER  
LUBRICATION CIRCUIT ASSEMBLY

DATE:  
REV:

P I  
11100 00





DATE:  
REV:

**BOART LONGYEAR  
AARDVARK 4.2 LOAD HAUL DUMPER  
LUBRICATION CIRCUIT ASSEMBLY**

Pg 213

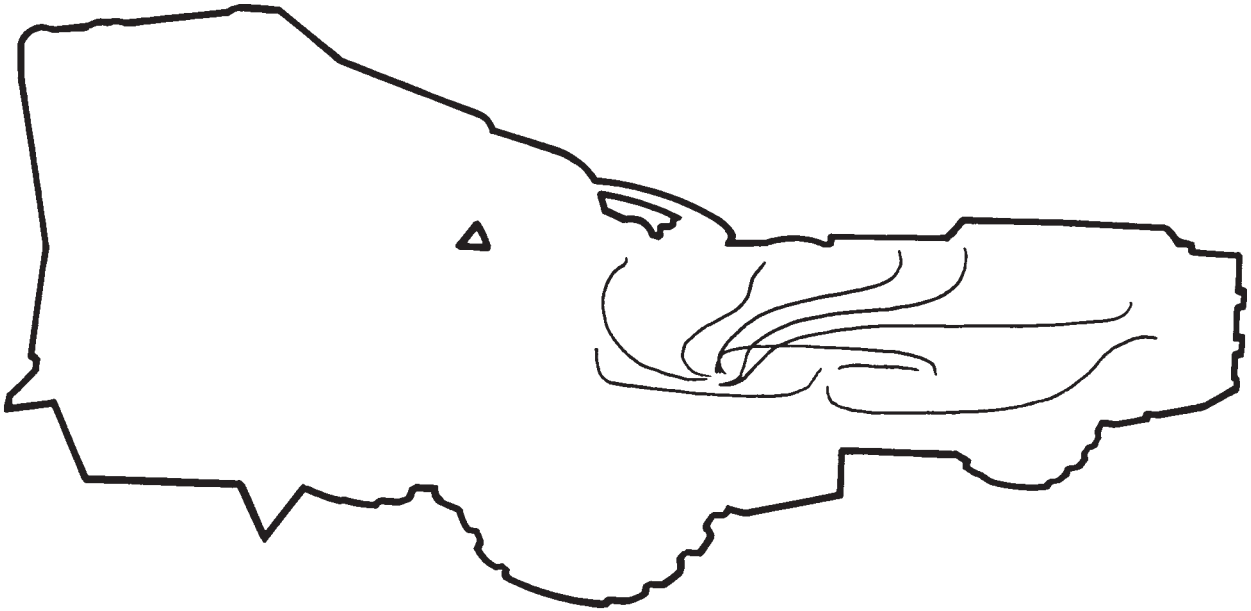
Pos	Item	Comm. No.	See Page	Qty	Part No.	Description	Dwg. No.
	P I						
11100	00			1	UV-84000041	<b>LUBRICATION CIRCUIT ASSEMBLY</b> BRACKET, Mounting PUMP ASSEMBLY, Grease BLOCK, Manifold TUBING (Supplied in Lengths)  <b>Note:</b> Supplied as a unit	
	01			1			
	02			1			
	03			1			
	04			1			



**PAGES 214 TO 220 LEFT BLANK  
FOR FUTURE USE**

BOART LONGYEAR  
AARDVARK 4.2 LOAD HAUL DUMPER  
FIRE SUPPRESSION GROUP

DATE:  
REV:



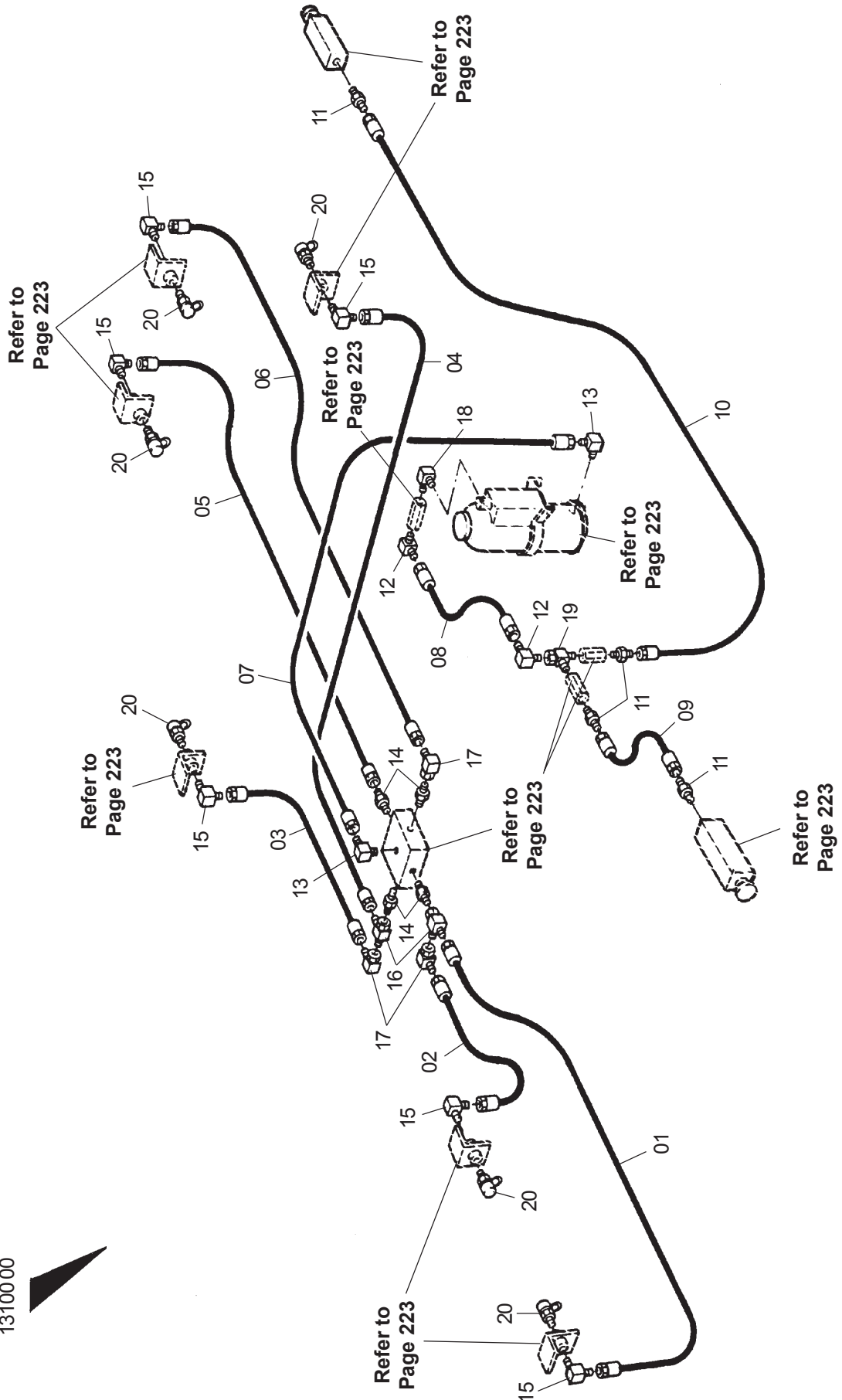
P I  
13100 00



P I  
13200 00

Pos	Item	Comm. No.	See Page	Qty	Part No.	Description	Dwg. No.
P	I						
	13000 00			1		FIRE SUPPRESSION GROUP	
	13100 00		222	1	UV-82300010	FIRE SUPPRESSION CIRCUIT ASSEMBLY	
	13200 00		223	1	UV-82300010	FIRE SUPPRESSION EQUIPMENT ASSEMBLY	
	13100 00		224	1	UV-82300007	OPTIONAL FIRE SUPPRESSION CIRCUIT ASSEMBLY	
	13200 00		225	1	UV-82300007	FIRE SUPPRESSION EQUIPMENT ASSEMBLY	

**BOART LONGYEAR  
AARDVARK 4.2 LOAD HAUL DUMPER  
FIRE SUPPRESSION CIRCUIT ASSEMBLY**



P I  
1310000  
▲

DATE:  
REV:

**BOART LONGYEAR  
AARDVARK 4.2 LOAD HAUL DUMPER  
FIRE SUPPRESSION CIRCUIT ASSEMBLY**

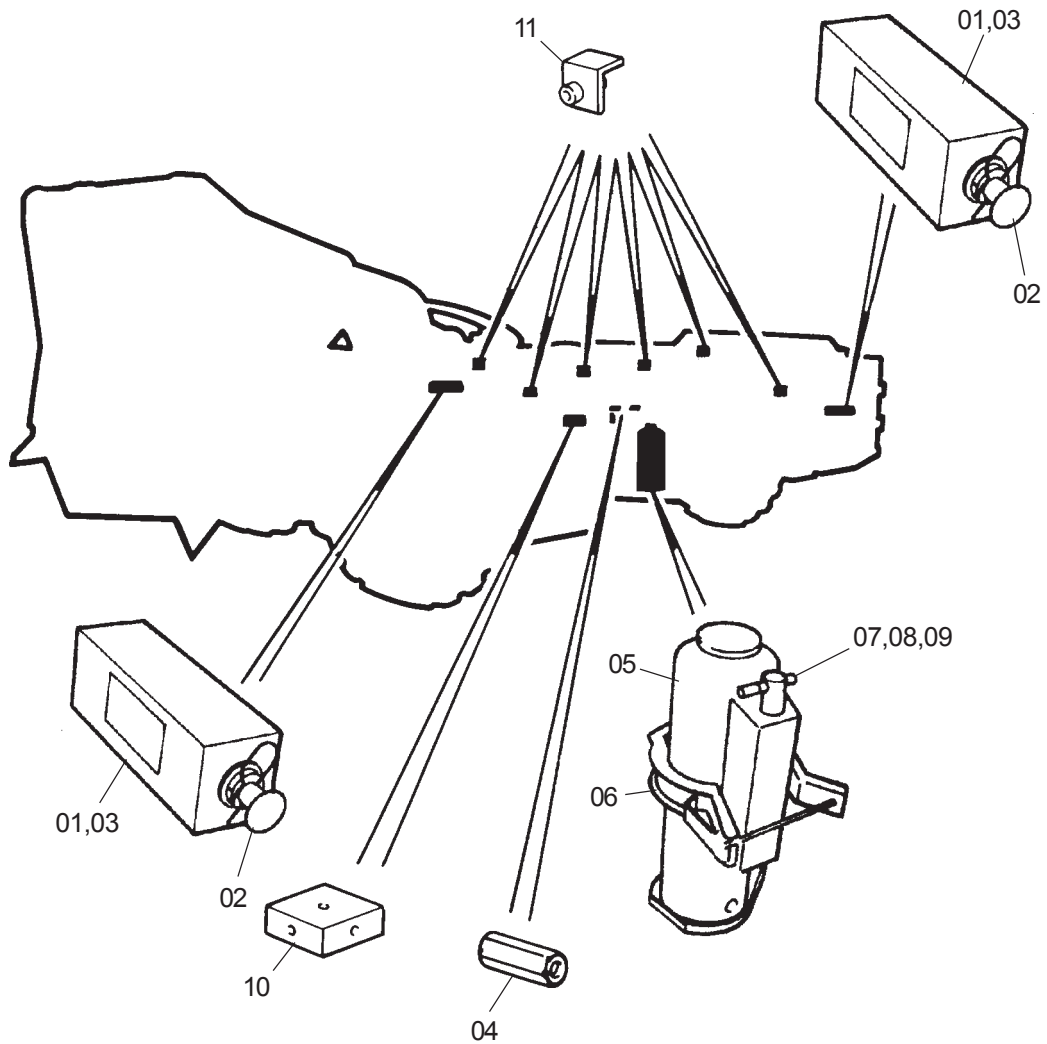
Pg 222

Pos	Item	Comm. No.	See Page	Qty	Part No.	Description	Dwg. No.
P	I						
13100	00			1	UV-82300010	<b>FIRE SUPPRESSION CIRCUIT ASSEMBLY</b>	
	01			1		HOSE ASSEMBLY, Dia. 1/2" - 1/2" JIC Straight End - 1200 lg	
	02			1		HOSE ASSEMBLY, Dia. 1/2" - 1/2" JIC Straight End - 890 lg	
	03			1		HOSE ASSEMBLY, Dia. 1/2" - 1/2" JIC Straight End - 1300 lg	
	04			1		HOSE ASSEMBLY, Dia. 1/2" - 1/2" JIC Straight End - 750 lg	
	05			1		HOSE ASSEMBLY, Dia. 1/2" - 1/2" JIC Straight End - 3000 lg	
	06			1		HOSE ASSEMBLY, Dia. 1/2" - 1/2" JIC Straight End - 2700 lg	
	07			1		HOSE ASSEMBLY, Dia. 3/4" - 3/4" JIC Straight End - 800 lg	
	08			1		HOSE ASSEMBLY, Dia. 1/4" - 7/16" JIC Straight End - 800 lg	
	09			1		HOSE ASSEMBLY, Dia. 1/4" - 7/16" JIC Straight End - 4500 lg	
	10			1		HOSE ASSEMBLY, Dia. 1/4" - 7/16" JIC Straight End - 2700 lg	
	11			4		ADAPTOR, Straight, Male, 1/4" NPT - 7/16" JIC	
	12			2		ADAPTOR, 90° Elbow, Male, 1/4" NPT - 7/16" JIC	
	13			2		ADAPTOR, 90° Elbow, Male, 3/4" NPT - 3/4" JIC	
	14			4		ADAPTOR, Straight, Male, 1/2" NPT - 1/2" JIC	
	15			6		ADAPTOR, 90° Elbow, Male, 1/2" NPT - 1/2" JIC	
	16			2		ADAPTOR, T-Piece, Female/Male/Male, 1/2" JIC	
	17			3		ADAPTOR, 90° Swivel Elbow, Male/Female, 1/2" JIC	
	18			1		ADAPTOR, 90° Elbow, Male, 1/4" NPT	
	19			1		ADAPTOR, T-Piece, Female/Male/Male, 1/4" NPT	
	20			6	GH-90049000	NOZZLE c/w Blow-off Cap	

BOART LONGYEAR  
AARDVARK 4.2 LOAD HAUL DUMPER  
FIRE SUPPRESSION EQUIPMENT ASSEMBLY

DATE:  
REV:

P I  
13200 00





DATE:  
REV:

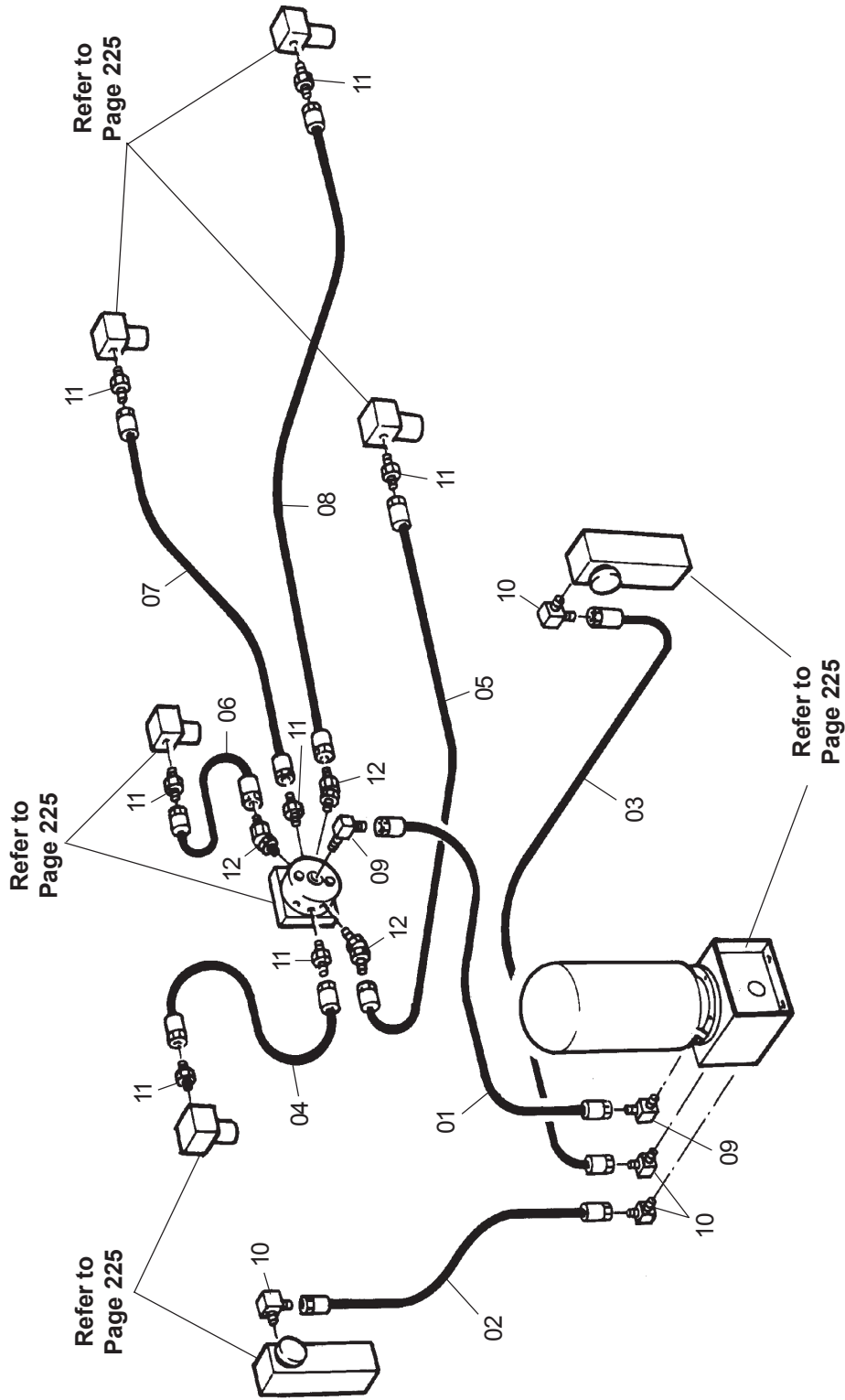
**BOART LONGYEAR  
AARDVARK 4.2 LOAD HAUL DUMPER  
FIRE SUPPRESSION EQUIPMENT ASSEMBLY**

Pg 223

Pos	Item	Comm. No.	See Page	Qty	Part No.	Description	Dwg. No.
	P I						
13200	00			1	UV-82300010	<b>FIRE SUPPRESSION EQUIPMENT ASSEMBLY</b>	
	01			2	GH-90026000	CYLINDER ASSEMBLY, Nitrogen	
	02			2	GH-90027000	ACTUATOR ASSEMBLY, Manual	
	03			2	GH-90029000	BRACKET, Cover - Actuator/Outdoor	
	04			3	GH-90028000	VALVE ASSEMBLY, Check	
	05			1	GH-90033000	CYLINDER ASSEMBLY, Dry Chemical Fire Extinguisher	
	06			1	GH-90052000	BRACKET, Fire Extinguisher	
	07			1	GH-90043000	CHECK ASSEMBLY, Vent	
	08			1	GH-90051000	HEAD ASSEMBLY, Pneumatic Control	
	09			1	GH-90050000	KIT, Discharge	
	10			1	GH-90047000	BLOCK, Manifold - Welded	
	11			6	GH-90048000	BRACKET, Nozzle - Welde	

BOART LONGYEAR  
AARDVARK 4.2 LOAD HAUL DUMPER  
FIRE SUPPRESSION CIRCUIT ASSEMBLY

DATE:  
REV:



P I  
13100.00



DATE:  
REV:

**BOART LONGYEAR  
AARDVARK 4.2 LOAD HAUL DUMPER  
FIRE SUPPRESSION CIRCUIT ASSEMBLY**

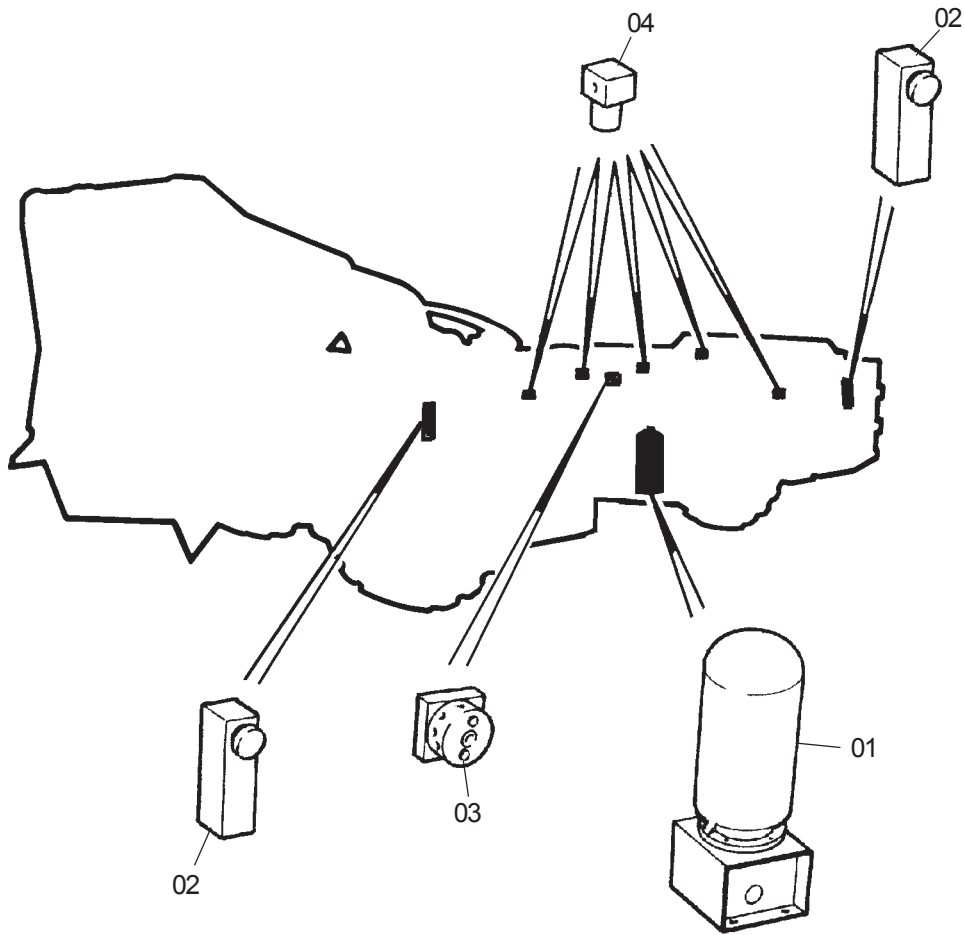
Pg 224

Pos	Item	Comm. No.	See Page	Qty	Part No.	Description	Dwg. No.
P	I						
13100	00			1	UV-82300007	<b>FIRE SUPPRESSION CIRCUIT ASSEMBLY</b>	
	01			1		HOSE ASSEMBLY, Dia. 3/4" - 3/4" JIC Straight End - 3/4" JIC Straight End - lg	
	02			1		HOSE ASSEMBLY, Dia. 1/4" - 7/16" JIC Straight End - 7/16" JIC Straight End - lg	
	03			1		HOSE ASSEMBLY, Dia. 1/4" - 7/16" JIC Straight End - 7/16" JIC Straight End - lg	
	04			1		HOSE ASSEMBLY, Dia. 1/2" - 1/2" JIC Straight End - 1/2" JIC Straight End - lg	
	05			1		HOSE ASSEMBLY, Dia. 1/2" - 1/2" JIC Straight End - 1/2" JIC Straight End - lg	
	06			1		HOSE ASSEMBLY, Dia. 1/2" - 1/2" JIC Straight End - 1/2" JIC Straight End - lg	
	07			1		HOSE ASSEMBLY, Dia. 1/2" - 1/2" JIC Straight End - 1/2" JIC Straight End - lg	
	08			1		HOSE ASSEMBLY, Dia. 1/2" - 1/2" JIC Straight End - 1/2" JIC Straight End - lg	
	09			2		ADAPTOR, 90° Elbow, Male, 3/4" NPT - 3/4" JIC	
	10			4		ADAPTOR, 90° Elbow, Male, 1/4" NPT - 7/16" JIC	
	11			7		ADAPTOR, Straight, Male, 1/2" NPT - 1/2" JIC	
	12			3		ADAPTOR, 45° Elbow, Male, 1/2" NPT - 1/2" JIC	

BOART LONGYEAR  
AARDVARK 4.2 LOAD HAUL DUMPER  
FIRE SUPPRESSION EQUIPMENT ASSEMBLY

DATE:  
REV:

P I  
13200 00



DATE:  
REV:

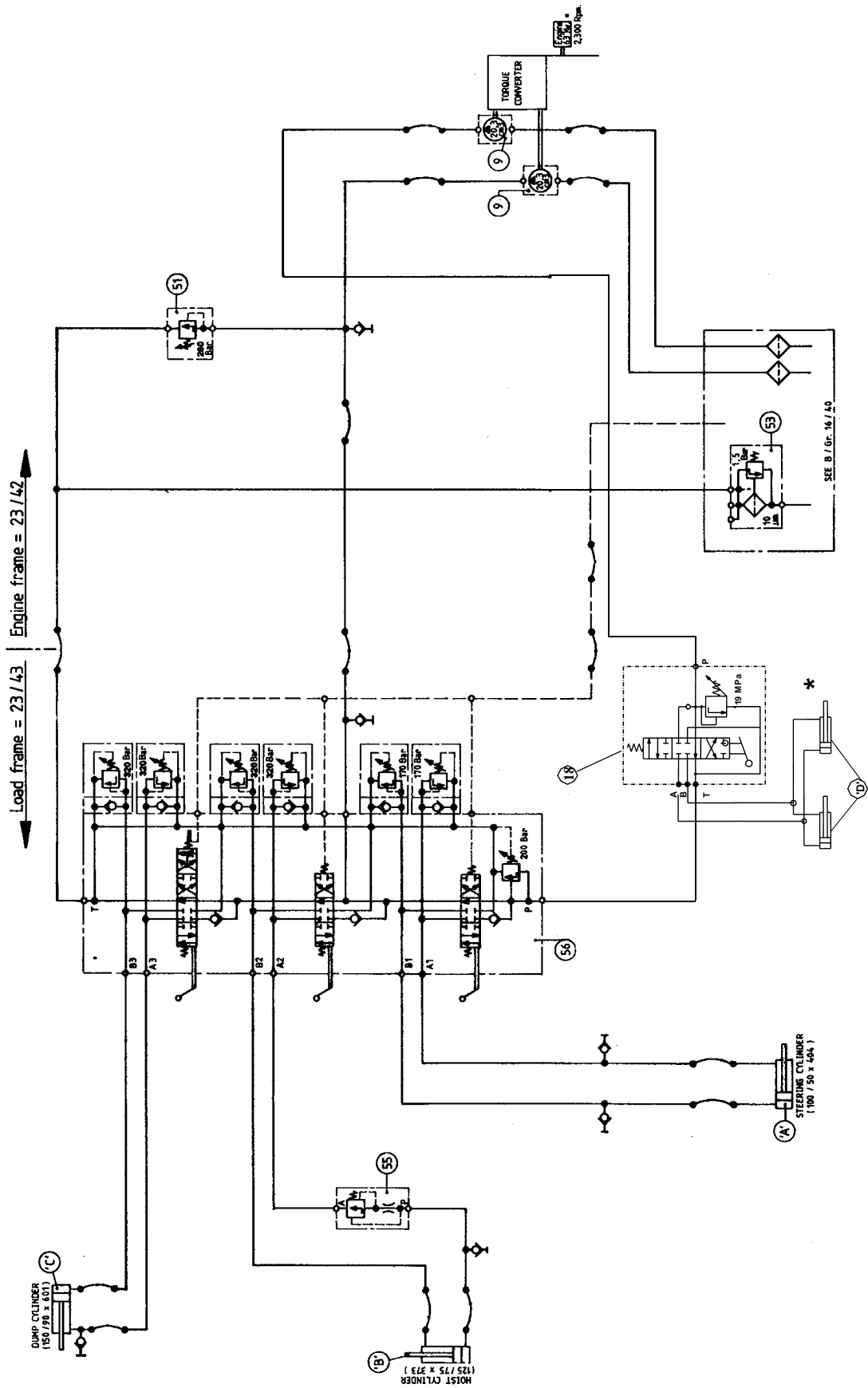
**BOART LONGYEAR  
AARDVARK 4.2 LOAD HAUL DUMPER  
FIRE SUPPRESSION EQUIPMENT ASSEMBLY**

Pg 225

Pos	Item	Comm. No.	See Page	Qty	Part No.	Description	Dwg. No.
	P I						
13200	00			1	UV-82300007	<b>FIRE SUPPRESSION EQUIPMENT ASSEMBLY</b>	
	01			1		EXTINGUISHERASSEMBLY, Fire	
	02			2		ACTUATORASSEMBLY, Manual	
	03			3		BLOCK, Manifold	
	04			5		NOZZLE	

# BOART LONGYEAR AARDVARK 4.2 LOAD HAUL DUMPER STEERING & DUMP/HOIST HYDRAULIC SYSTEM

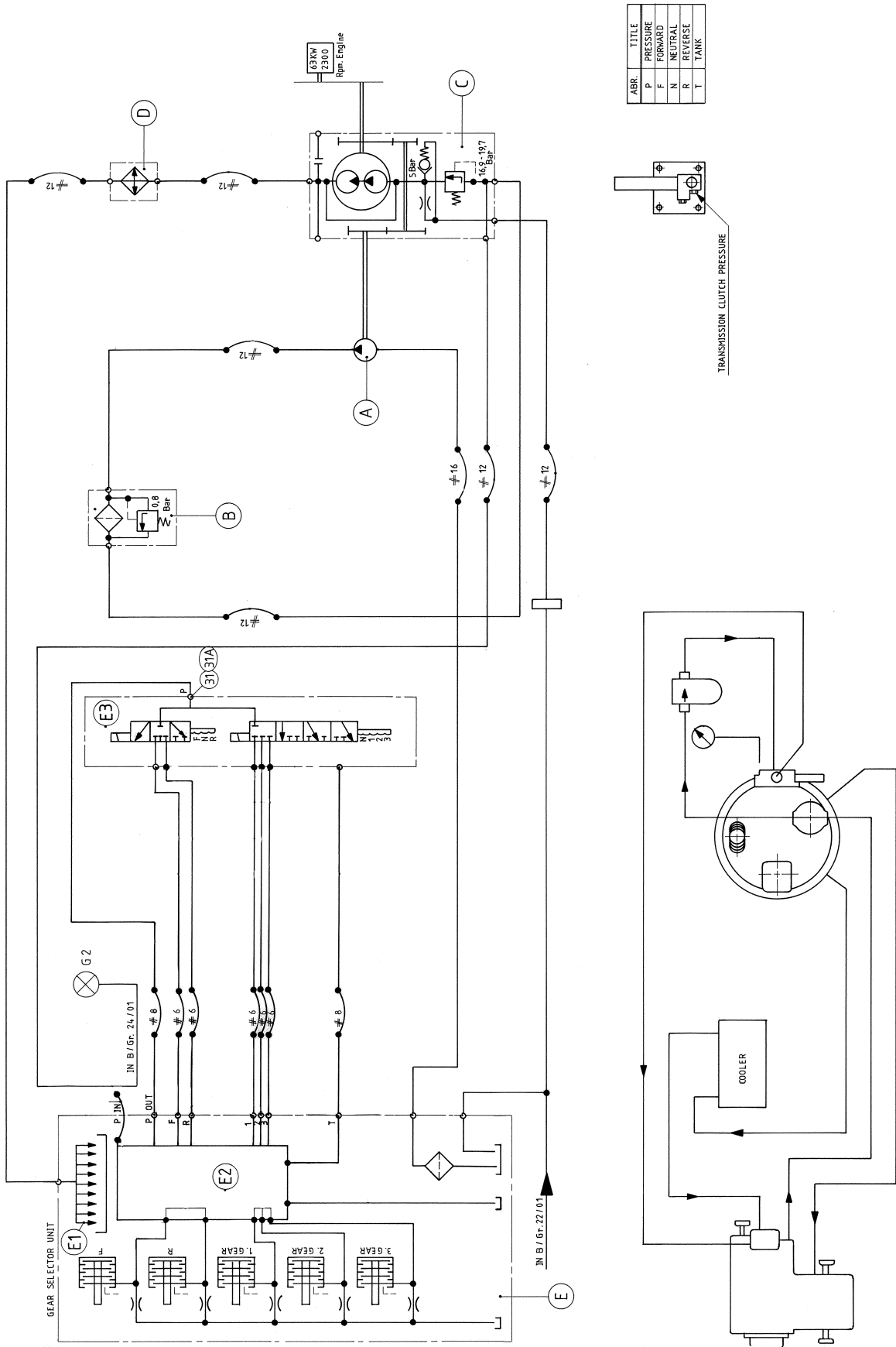
DATE:  
REV:



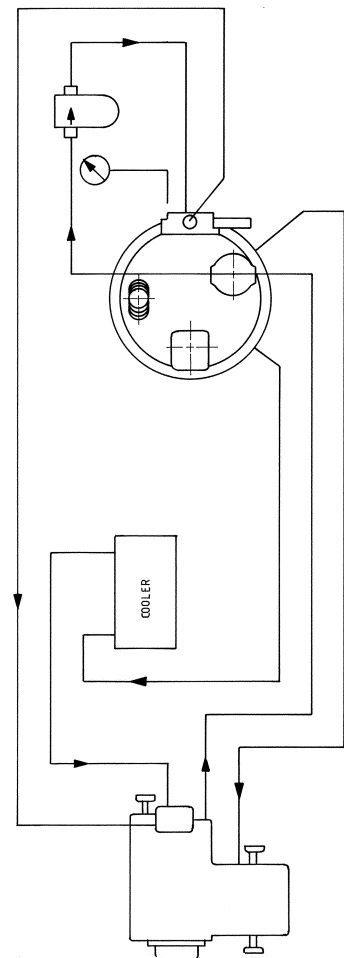
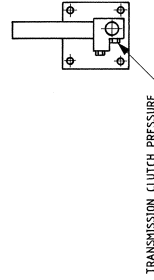
Pos P	Item I	Comm. No.	See Page	Qty	Part No.	Description	Dwg. No.
	A			1	GH-37143000	CYLINDER, Steering	
	B			1	GH-K09733	CYLINDER, Hoist	
	C			1	GH-K09732	CYLINDER, Dump	
	D			2	9001094	CYLINDER, Ejector	
	09			2	GH-K09731	GEAR PUMP, Complete	
	18			1	9001031	VALVE, Ejector Bucket	
	51			1	GH-77560000	VALVE, Pressure Relief	
	53			1	GH-77839000	FILTER, Return, Complete	
	55			1	GH-5900800	PUMP, 2 Pole	
	56			1	GH-58219000	VALVE, Steer, Dump & Hoist	

# BOART LONGYEAR AARDVARK 4.2 LOAD HAUL DUMPER CONVERTER & TRANSMISSION CIRCUIT

DATE:  
REV:



ABR.	TITLE
P	PRESSURE
F	FORWARD
N	NEUTRAL
R	REVERSE
T	TANK



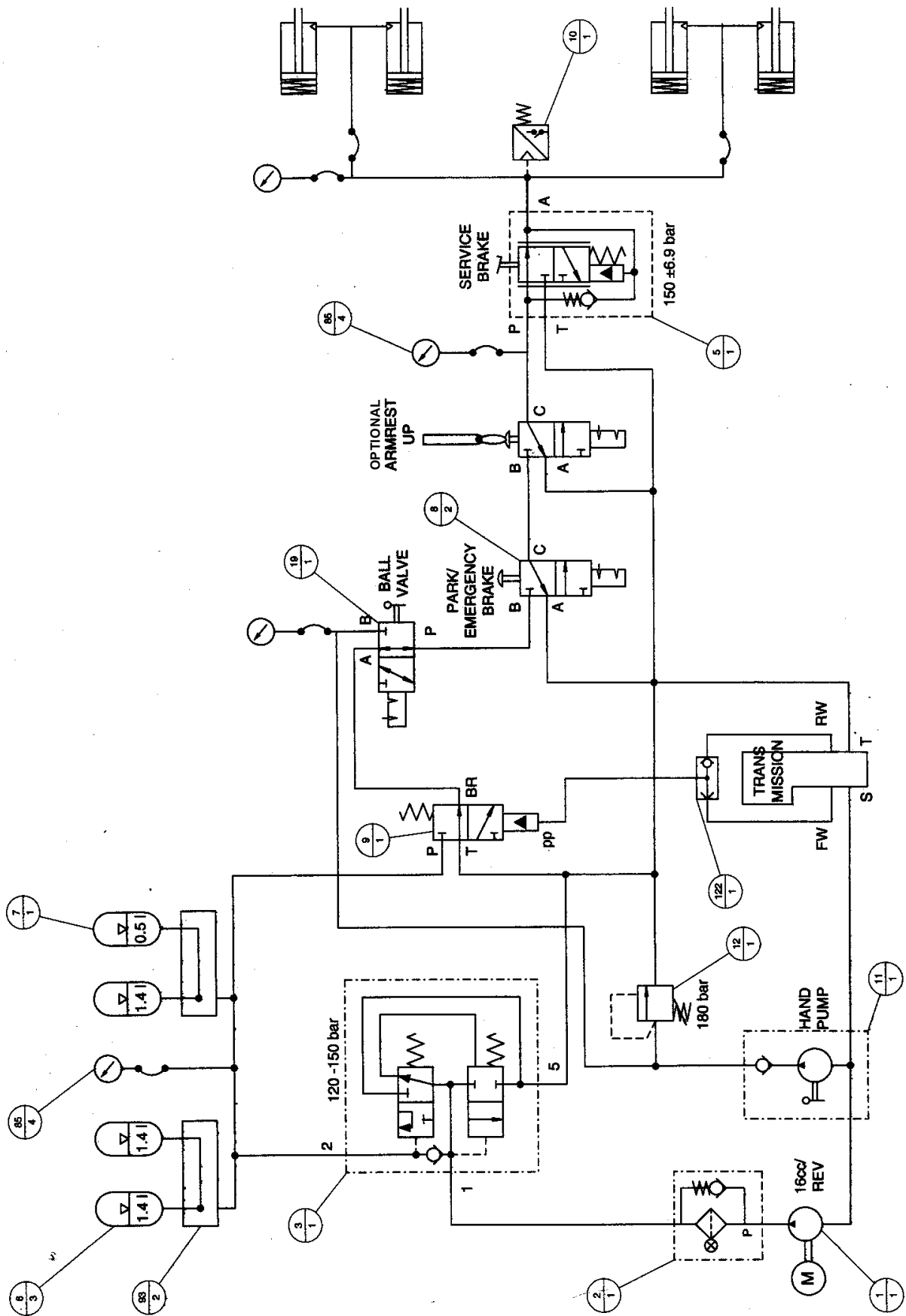


Pos	Item	Comm. No.	See Page	Qty	Part No.	Description	Dwg. No.
P	I						

A				1	GH-87080000	CHARGING PUMP	
B				1	GH-77604000	ARLON FILTER	
C				1	GH-59008279	TORQUE CONVERTER	
D				1	REFERENCE	OIL COOLER	
E				1	GH-59007683	TRANSMISSION	

# BOART LONGYEAR AARDVARK 4.2 LOAD HAUL DUMPER BRAKE CIRCUIT

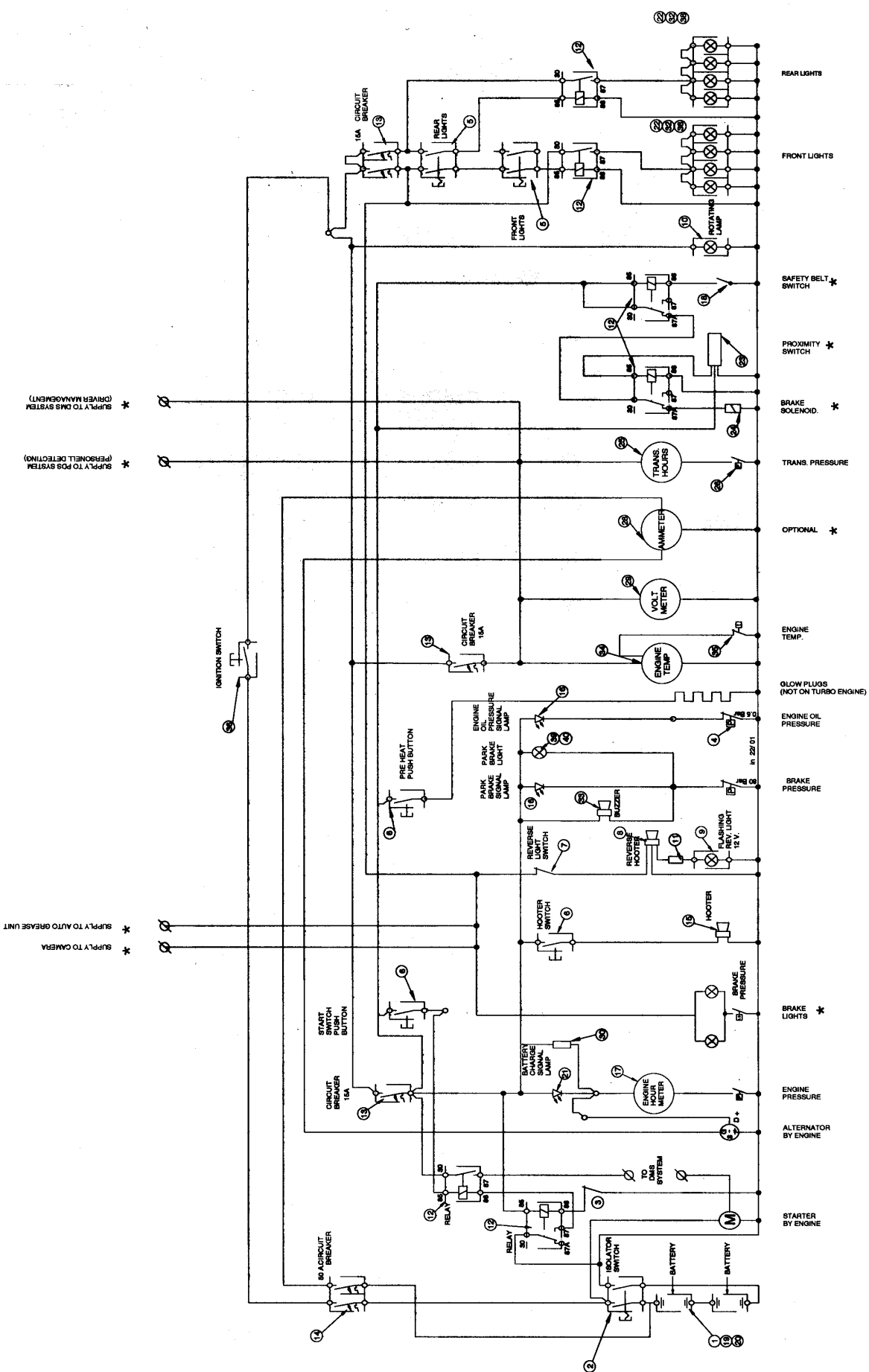
DATE:  
REV:



Pos	Item	Comm. No.	See Page	Qty	Part No.	Description	Dwg. No.
P	I						
	01			1	GH-56534000	GEAR PUMP	
	02			1	9000022	HIGH PRESSURE FILTER	
	03			1	GH-57640000	PRESSURE CONTROL VALVE	
	05			1	9000021	BRAKE VALVE	
	06			3	GH-57643000	ACCUMULATOR (0,4L)	
	07			1	GH-57699000	ACCUMULATOR (0,5L)	
	08			1	GH-90309000	MUSHROOM VALVE	
	09			1	GH-91037000	NEUTRAL BRAKE VALVE	
	10			1	UV-0100457	PRESSURE SWITCH	
	11			1	GH-HP-20	HAND PUMP	
	12			1	GH-91038000	RELIEF VALVE	
	19			1	GH-91123000	3-WAY BALL VALVE	
	85			4	GH-57644000	PRESSURE GAUGES (0 – 25 MPa)	
	122			1	GH-90198000	SHUTTLE VALVE	

# BOART LONGYEAR AARDVARK 4.2 LOAD HAUL DUMPER ELECTRICAL SYSTEM – DEUTZ F6L912W ENGINE

DATE:  
REV:



\* SUPPLY TO DMS SYSTEM (DRIVER MANAGEMENT)  
\* SUPPLY TO PDS SYSTEM (PERSONNEL DETECTION)

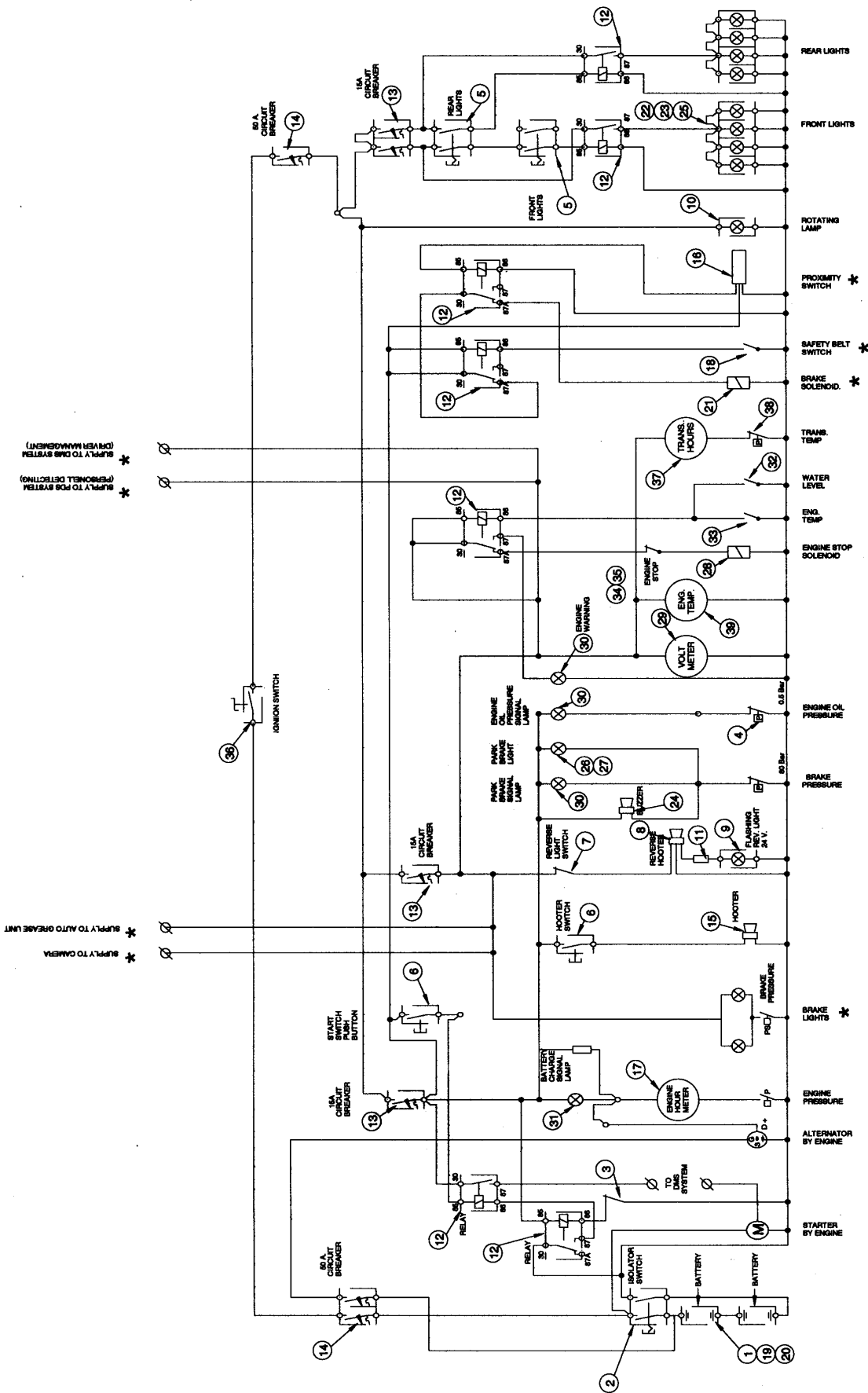
\* SUPPLY TO AUTO GREASE UNIT  
\* SUPPLY TO CAMERA

NOTE: \* OPTIONAL

Pos	Item	Comm. No.	See Page	Qty	Part No.	Description	Dwg. No.
P	I						
01				2	GH-K05051	BATTERY	
02				1	GH-87063000	BATTERY ISOLATOR SWITCH	
03				1	GH-86494000	NETURAL SWITCH	
04				1	GH-78283000	ENGINE OIL PRESSURE SWITCH	
05				2	UV-71000040	LIGHT SWITCH COMPLETE	
06				3	UV-71000026	PUSH BUTTON COMPLETE	
07				1	UV-71000011	REVERSE LIGHT SWITCH	
08				1	UV-72000006	REVERSE HOOTER	
09				1	GH-91081000	REVERSE FLASHING LIGHT	
10				1	GH-90060000	BEACON ROTATING LAMP	
11				1	GH-90075000	FLASHING LIGHT BOX	
12				4	GH-87457000	RELAY	
13				4	9001111	CIRCUIT BREAKER 15A	
14				2	9001117	CIRCUIT BREAKER 50A	
15				1	GH-85206022	HORN	
16				2	9001119	LED RED 24V	
17				1	GH-85206045	ENGINE HOUR METER	
18				1	UV-81400009	SAFETY BELT SWITCH	
19				2	GH-85206029	BATTERY TERMINAL ( + )	
20				2	GH-85206030	BATTERY TERMINAL ( - )	
21				1	9001120	AMBER LED 24V	
22				5	GH-SEALBEAM	SEALED BEAM	
23				1	UV-71000069	PROXIMITY SWITCH (OPTIONAL)	
24				1	UV-71800001	BRAKE SOLENOID (OPTIONAL)	
25				1	UV-0100444	TRANSMISSION HOURMETER	
26				1	UV-0100534	TRANSMISSION PRESS. SWITCH	
27				1	9001029	INSTRUMENT BOX	
28				1	9000388	AMMETER 24V DC	
29				1	UV-0100445	VOLTMETER 24V DC	
30				1	GH-58360000	RESISTOR	
31				1	GH-78314000	FRONT & REAR LIGHT PUSH BUTTON	
32				5	GH-SBHOLDER	SEALED BEAM HOLDER	
33				1	GH-91019000	BUZZER	
34				1	UV-0100447	ENG. TEMP. GAUGE	
35				1	UV-0100449	ENG. TEMPERATURE SENDER	
36				1	UV-0101118	IGNITION SWITCH	
37				1	GH-87287000	GLOW PLUG RELAY	
38				1	GH-56772000	LIGHT CONNECTION BOX	
39				1	GH-91060000	PARK BRAKE LIGHT	
40				1	GH-91065000	GLOBE (24V)	
41				1	GH-91058000	ELECTRICAL BOX	
42				1	GH-90159000	PRATLEY BOX	
43				1	UV-72400014	PDS. SYSTEM (OPTIONAL)	
44				1	UV-72700005	DMS SYSTEM (OPTIONAL)	
45				1	UV-72700002	CAMERA (OPTIONAL)	
46				1	UV-84000041	AUTO GREASE SYSTEM (OPTIONAL)	
47				1	UV-71300071	BRAKE LIGHTS (OPTIONAL)	

# BOART LONGYEAR AARDVARK 4.2 LOAD HAUL DUMPER ELECTRICAL SYSTEM - DEUTZ BF4M1013 ENGINE

DATE:  
REV:



\* SUPPLY TO DMS SYSTEM (DRIVER MANAGEMENT)  
 \* SUPPLY TO PDS SYSTEM (PERSONNEL DETECTING)

\* SUPPLY TO AUTO OREGAE UNIT  
 \* SUPPLY TO CAMERA

9001192

NOTE: \* OPTIONAL

Pos	Item	Comm. No.	See Page	Qty	Part No.	Description	Dwg. No.
P	I						
01				2	UV-0100455	BATTERY	
02				1	UV-0100560	BATTERY ISOLATOR SWITCH	
03				1	GH-86494000	NEUTRAL SWITCH	
04				1	GH-78283000	ENGINE OIL PRESSURE SWITCH	
05				2	UV-71000040	HEAD LIGHT SWITCH	
06				2	UV-71000026	HOOTER PUSH BUTTON	
07				1	UV-71000011	REFERSE LIGHT SWITCH	
08				1	UV-71000006	REVERSE HOOTER	
09				1	GH-91080000	FLASHING REVERSE LIGHT (12V)	
10				1	GH-90060000	BEACON ROTATING LAMP	
11				1	GH-90075000	FLASHING LIGHT BOX	
12				5	UV-0101337	RELAY	
13				4	9001111	CIRCUIT BREAKER 15A	
14				2	9001117	CIRCUIT BREAKER 50A	
15				1	UV-0100474	HORN	
16				1	UV-71000069	PROXIMITY SWITCH	
17				1	GH-85206045	ENGINE HOUR METER	
18				1	UV-81400009	SAFETY BELT SWITCH	
19				2	GH-85206029	BATTERY TERMINAL (+)	
20				2	GH-85206030	BATTERY TERMINAL (-)	
21				1	UV-71800001	SOLENOID VALVE (24V)	
22				5	GH-SEALBEAM	SEALED BEAM (24V)	
23				5	GH-SBHOLDER	SEALED BEAM HOLDER	
24				1	GH-91019000	BUZZER	
25				5	GH-56772000	LIGHT CONNECTION BOX	
26				1	GH-91060000	PARK BRAKE LIGHT	
27				1	GH-91065000	PARK BRAKE LIGHT BULB	
28				1	REF	SHUT DOWN SOLENOID	
29				1	UV-0100445	VOLTMETER (24V)	
30				3	9001119	RED LIGHT COMPLETE	
31				1	9001120	AMBER LIGHT COMPLETE	
32				1	REF	ENGINE TEMP SWITCH	
33				1	REF	WATER LEVEL SWITCH	
34				1	D7510	STOP BUTTON RED	
35				1	UV-0101143	CONTACT BLOCK N/C	
36				1	UV-0101118	IGNITION SWITCH	
37				1	UV-0100444	TRANSMISSION HOURMETER	
38				1	UV-0100534	TRANSMISSION PRESS. SWITCH	
39				1	UV-0100446	ENGINE TEMP. GAUGE	

